

ASSEMBLY INSTRUCTION

ITEM NO : LEENA - BLACK/WALNUT - BS

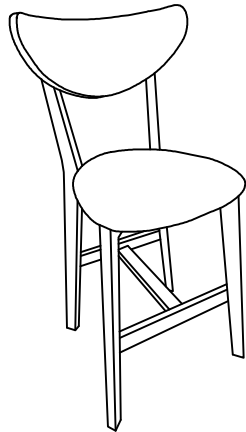
Please read instructions carefully. Remove all wrapping material, staples and packing straps from the carton. Be sure you have all parts before you start assembling. Place all wooden furniture parts on a clean and flat soft surface, such as carpet or rug to prevent from being scratched.

CAUTION : 1) DO NOT FULLY TIGHTEN THE NUTS OR SCREWS INITIALLY UNTILL ALL THE NUTS AND

2) SCREWS ARE ASSEMBLED. TO AVOID CAUSING DAMAGE TO THE TREAD, DO NOT OVER-TIGHTEN

THE NUTS OR SCREWS.

KEEP ALL HARDWARE PARTS OUT OF RECH OF CHILDREN.



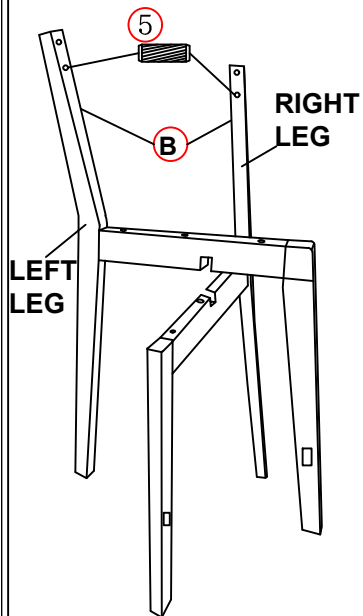
PARTS LIST

NO	DESCRIPTION	QTY
A	BACK REST	1
B	FRAME LEG (L&R)	2
C	CORNER BLOCK	4
D	CUSHION	1
E	FRONT STRETCHER (LONG)	1
F	BACK STRETCHER (SHORT)	1
G	CENTER STRETCHER	1

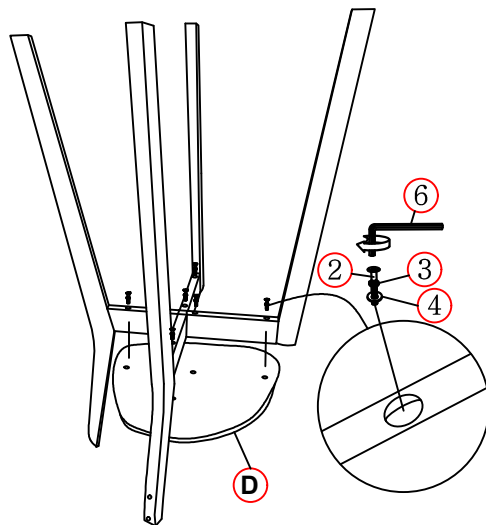
HARDWARE LIST

NO	DESCRIPTION	QTY
1	JCBC BOLT M6 x 30mm	4
2	JCBC BOLT M6 x 50mm	6
3	SPRING WASHER M6	10
4	FLAT WASHER M6 x 13mm	10
5	WOOD DOWEL Ø8 x 25mm	2
6	ALLEN KEY M4 x 100mm	1
7	CSK-CB SCREW M4 x 25mm	8
8	CSK-CB SCREW M4 x 32mm	4
9	CSK-CB SCREW M4 x 45mm	4

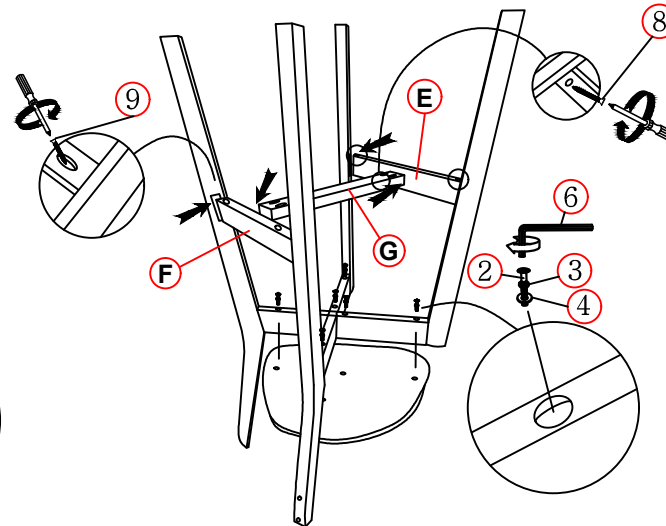
STEP 1



STEP 2



STEP 3



STEP 4

