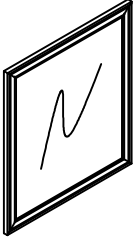
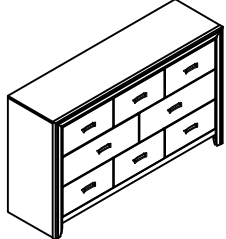
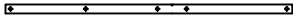
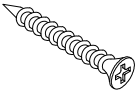
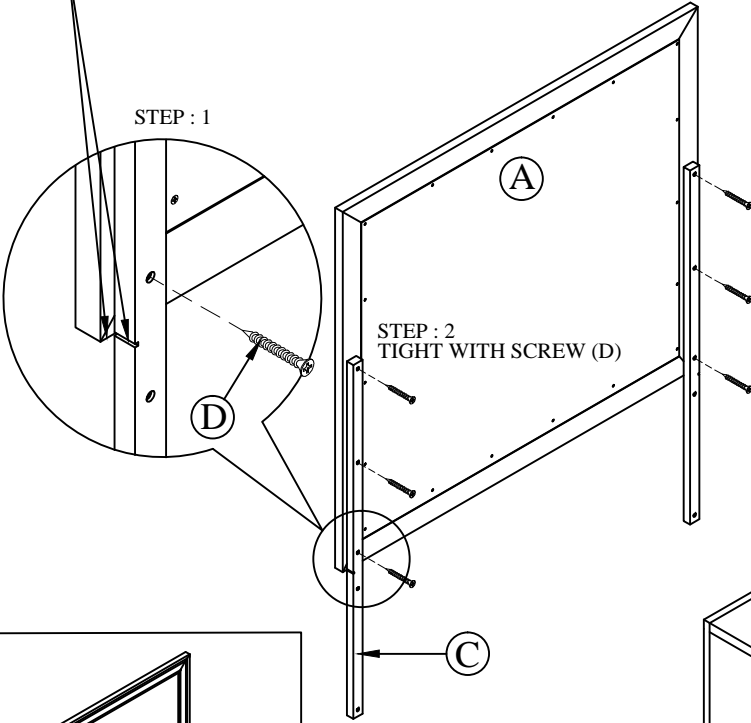


ASSEMBLY INSTRUCTION

MODEL : FBMIRR-035A + FBDSRA-035A
 DATE : 14 - 09 - 2011

NO	PARTS & HARDWARE	QTY.
A	MIRROR 	1 UNIT
B	DRESSER 	1 UNIT
C	MIRROR SUPPORT 	2 PCS
D	CSM SCREW M4 x 32mm 	10PCS

STEP 1 : ATTACH MIRROR SUPPORT (C) TO THE MIRROR BACK (A)
 AS STEP 1, THEN TIGHTEN WITH SCREW (D).
 MAKE SURE MARKING LINE OF SUPPORT MUST SAME LEVEL
 AS BOTTOM OF MIRROR BASE.



**STEP 3 : PLACE THE MIRROR THAT WITH SUPPORT ON THE
 TOP OF DRESSER (B). THEN ALIGN CENTER.
 AS SHOWN AND TIGHTEN WITH CSM SCREW (D).**

