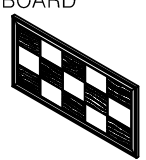
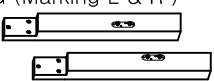
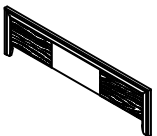
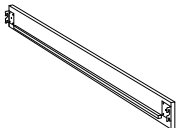
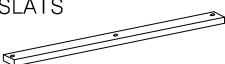
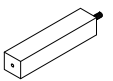
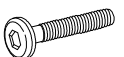


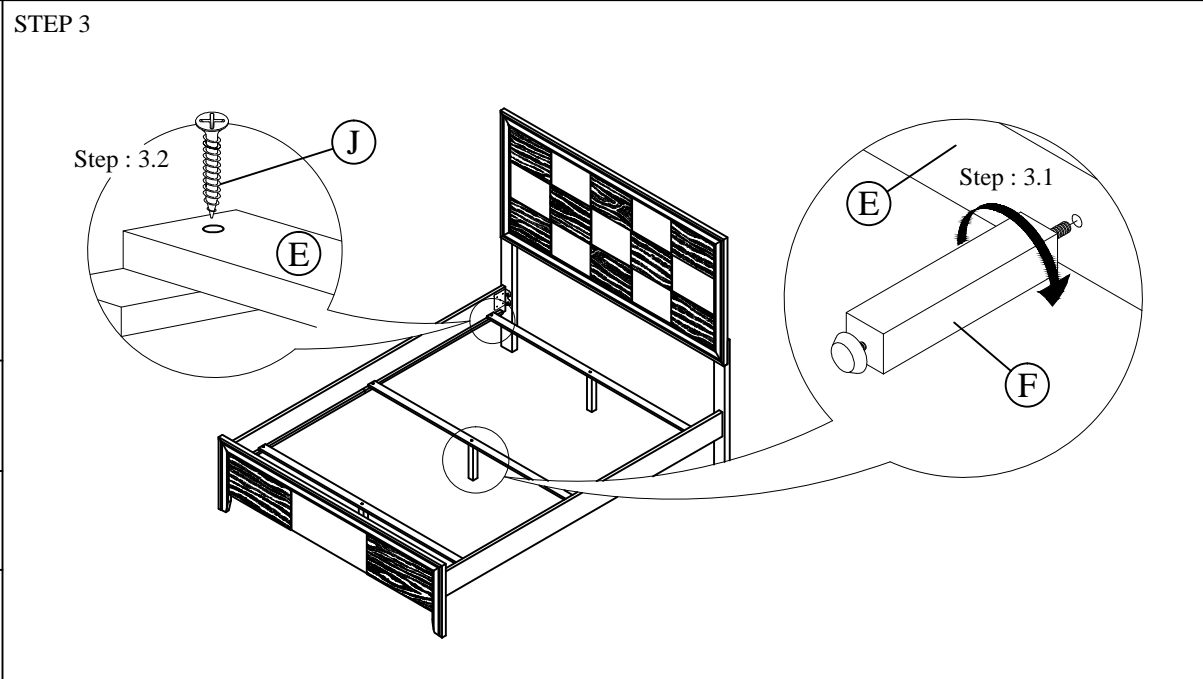
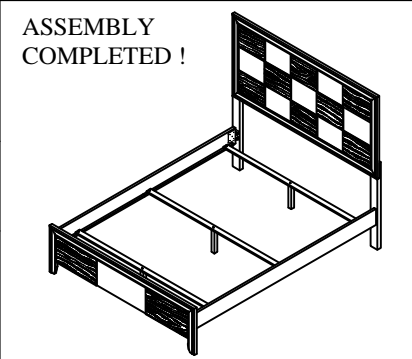
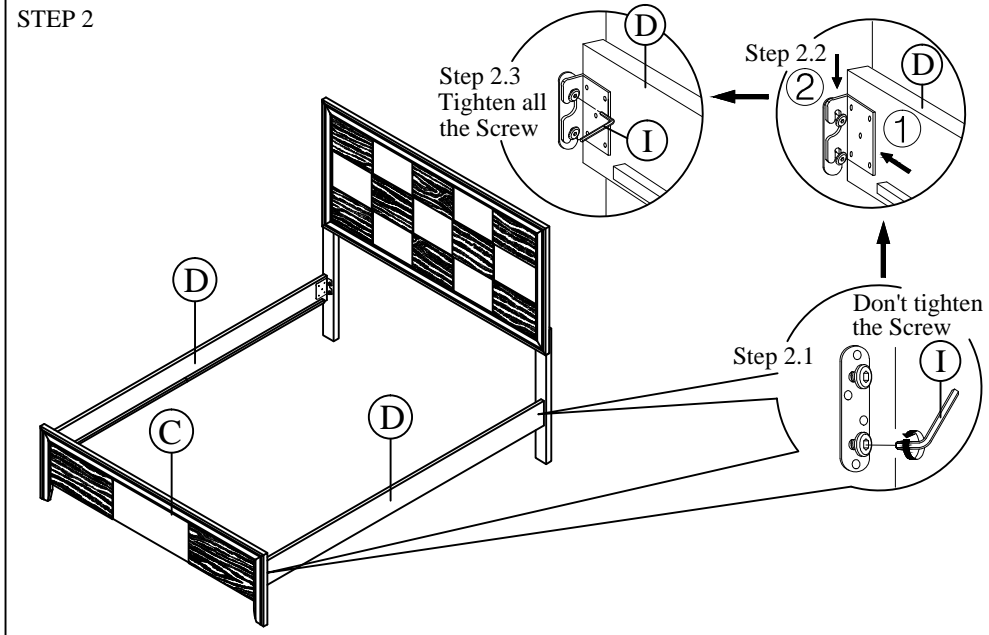
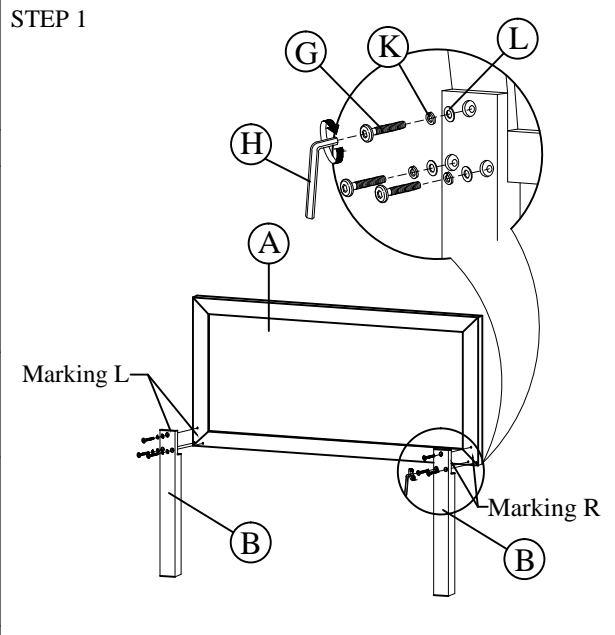





ASSEMBLY INSTRUCTION

MODEL : FBFHBR/FBQHBR-035A
 FBFFBR/FBQFBR-035A
 FBFSRR/FBQSRR-019F
 DATE : 28 - 07 - 2011

NO	PART & HARDWARE LIST	QTY.
A	HEADBOARD 	1PC
B	LEG (Marking L & R) 	2PCS
C	FOOTBOARD 	1PC
D	SIDERAIL 	2PCS
E	SLATS 	3PCS
F	BED SLAT SUPPORT 	3PCS
G	JCBC SCREW M6 X 30mm 	6PCS
H	L KEY M4 	1PC
I	L KEY M5 	1PC



J	CSK M4 x 32mm 	6PCS
K	SPRING WASHER $\text{\O} \frac{1}{4}$ " 	6PCS
L	FLAT WASHER $\text{\O} \frac{1}{4}$ " x 13mm 	6PCS