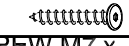
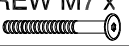
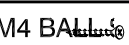



# ASSEMBLY INSTRUCTIONS

## MODEL : KIMBERLY DINING CHAIR

- IMPORTANT NOTE :**
- \* PLACE ALL WOODEN PARTS ON A CLEAN AND SMOOTH SURFACE SUCH AS A RUG OR CARPET TO AVOID THE PARTS FROM BEING SCRATCHED.
  - \* BEFORE YOU BEGIN, KINDLY FOLLOW THE ASSEMBLY INSTRUCTIONS STEP BY STEP.
  - \* DO NOT TIGHTEN ALL SCREWS UNTIL THE CHAIR IS FULLY SET-UP.

HARDWARE LIST			PART LIST		
A	JCBC BOLT M6 x 60mm MS + SW 	4PCS	1	LEG (UP)	1PC
B	JCBC W SCREW M7 x 	1PC	2	LEG (DOWN)	1PC
C	ALLEN KEY M4 BALL 	1PC	3	CUSHION CHAIR	1PC
D	FH SCREW #8 x 25mm 	8PCS	4	CORNER BLOCK	2PCS

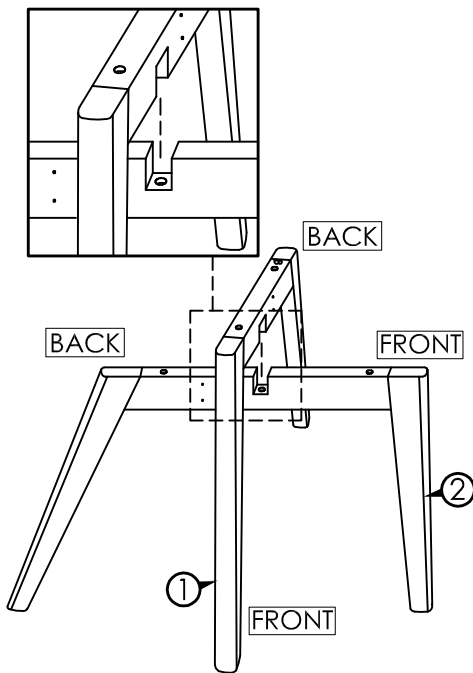
### CAUTIONS :

(1) DO NOT FULLY-TIGHTEN THE NUT OR NUT BOLTS INITIALLY UNTIL ALL NUTS OR BOLT IS READY ASSEMBLED.

(TO AVOID CAUSING DAMAGES TO THE THREAD, DO NOT OVER-TIGHTEN THE NUTS OR BOLTS.)

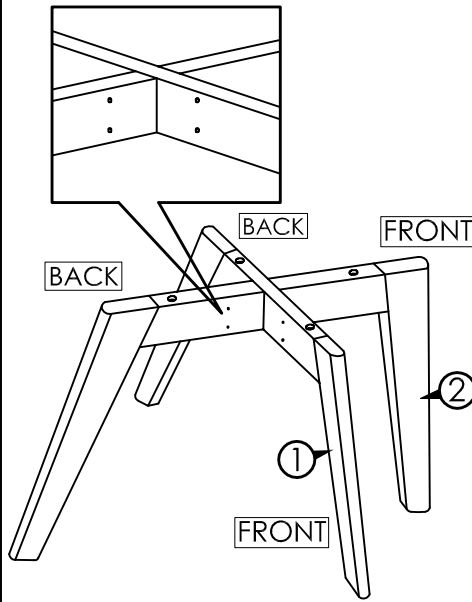
(2) KEEP ALL HARDWARE PART OUT OF REACH OF CHILDREN.

### STEP 1

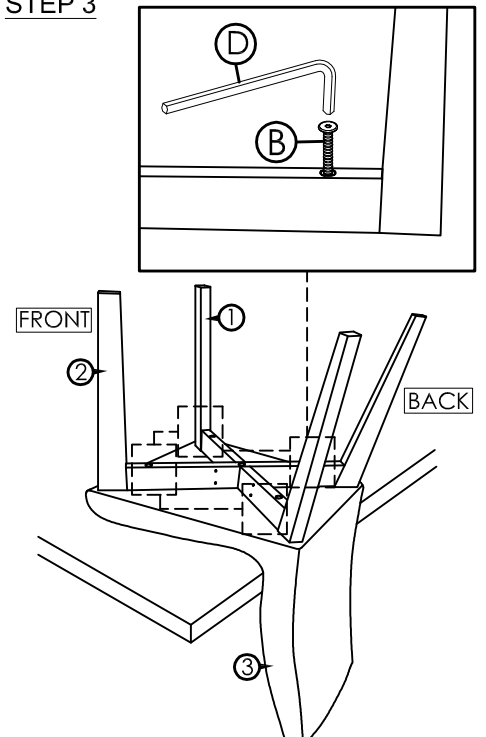


### STEP 2

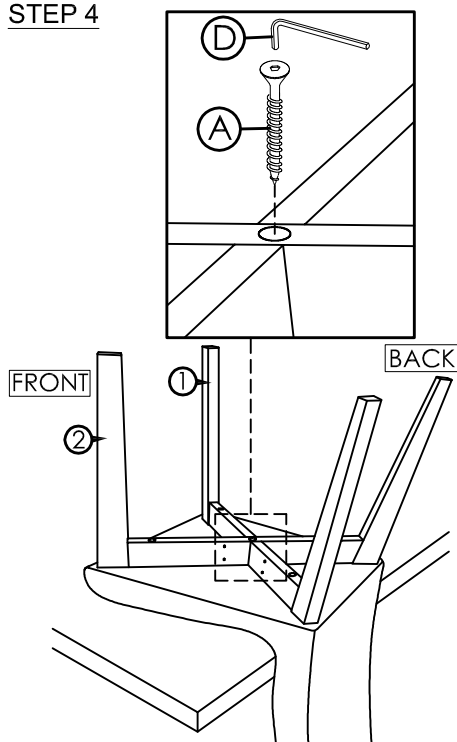
PRE-DRILLED HOLES TO FIX CORNER BLOCKS



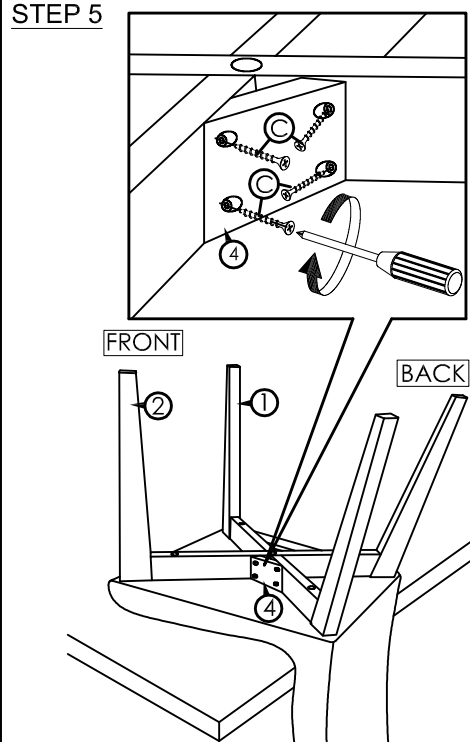
### STEP 3



### STEP 4



### STEP 5



### STEP 6



COMPLETED CHAIR ASSEMBLY.