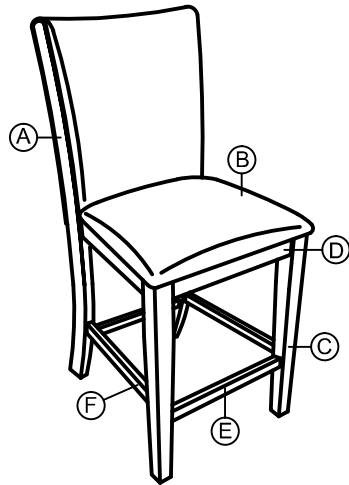


ASSEMBLY INSTRUCTIONS

COUNTER CHAIR

Please read the instructions carefully. Remove all wrapping material, staples and packing straps from the carton. See Hardware and Furniture Parts List for guidance. Be sure you have all the parts before you start assembling. Place all wooden furniture parts on a clean, flat and soft surface, such as carpet or rug to prevent from being scratched.

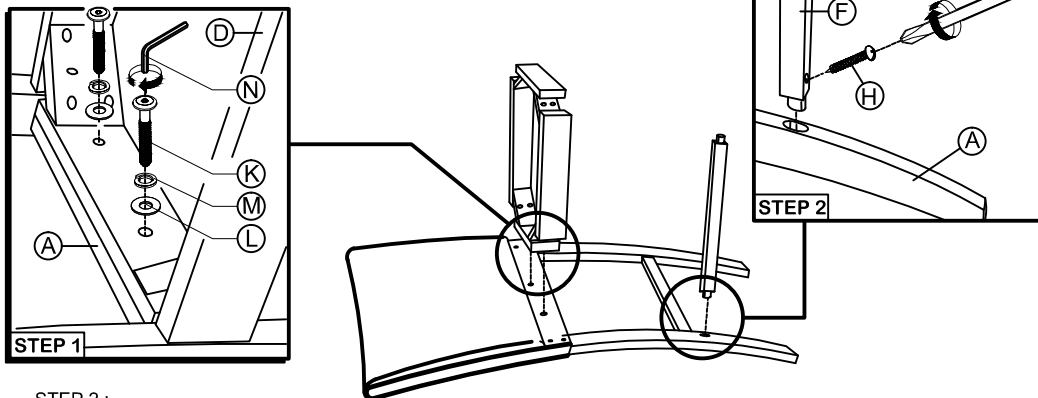
CAUTION : (1) DO NOT **FULLY-TIGHTEN THE NUTS OR SCREWS INITIALLY UNTIL ALL THE NUTS OR SCREWS ARE ASSEMBLED.**
(TO AVOID CAUSING DAMAGE TO THE THREAD, DO NOT **OVER-TIGHTEN THE NUTS OR SCREWS.**)
(2) **KEEP ALL HARDWARE PARTS OUT OF REACH OF CHILDREN.**



Part List		
NO.	Description	Qty.
A	Back Rest	1
B	Cushion Seat	1
C	Front Leg	2
D	Seat Frame	1
E	Front Stretcher	1
F	Side Stretcher	2
Hardware List		
NO.	Description	Qty.
G	PHRS Screw M4 x 25mm	3
H	PHRS Screw M4 x 32mm	6
I	JCBC Bolt M6 x 80mm	4
J	JCBC Bolt M6 x 50mm	4
K	JCBC Bolt M6 x 40mm	2
L	Flat Washer M6 x 20	10
M	Spring Washer M6 x 13	10
N	Allen Key M4	1

STEP 1 :

Lay the Back Rest (A) on a soft, clean surface such that the front face is facing you. Put the Seat Frame (D) into position on the Back Rest (A). Tighten through the two center holes with JCBC Bolt (K), Spring Washer (M), Flat Washer (L) and Allen Key (N).

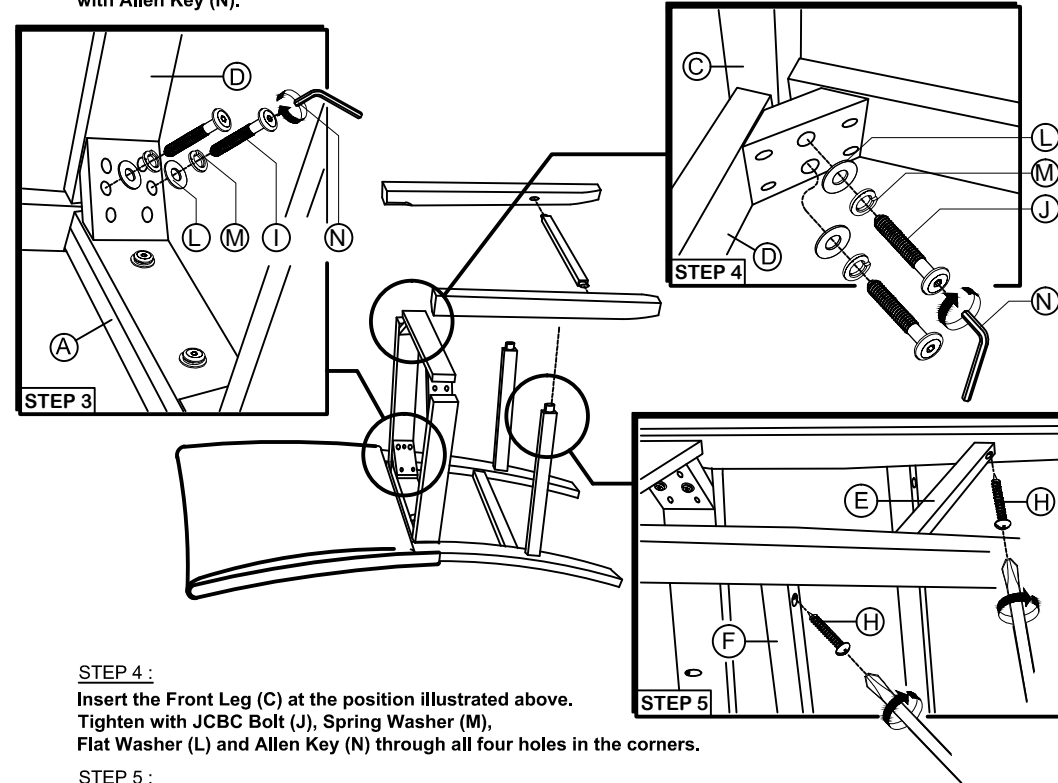


STEP 2 :

Slot the Stretcher (F) into the hole in the Back Rest (A). Insert PHCB Screw (H) into the screw hole in the Stretcher (F) and tighten with a Phillipshead Screw Driver. Repeat this Step for the other Stretcher (F).

STEP 3 :

Insert JCBC Bolt (I), Spring Washer (M), Flat Washer (L) into the four holes in the corner and tighten with Allen Key (N).

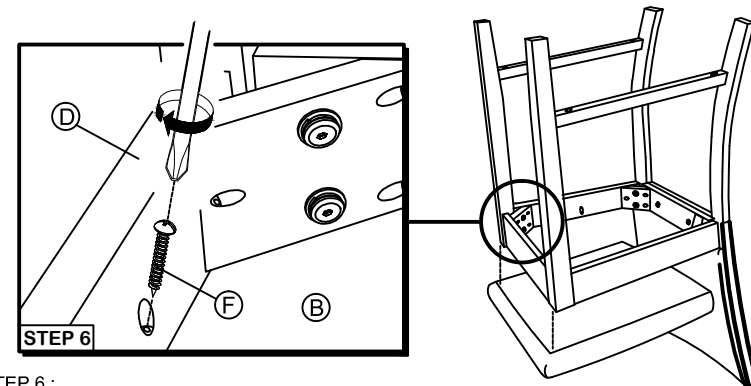


STEP 4 :

Insert the Front Leg (C) at the position illustrated above. Tighten with JCBC Bolt (J), Spring Washer (M), Flat Washer (L) and Allen Key (N) through all four holes in the corners.

STEP 5 :

Insert Front Leg (C) into the Side Stretcher (F), Front Stretcher (E) and repeat the tightening procedure described in Step 2.



STEP 6 :

Turn the chair so that the bottom facing you. Insert CSK Screw (G) into three hole in the Seat Frame (D) and tighten with Phillips head Screw Driver.