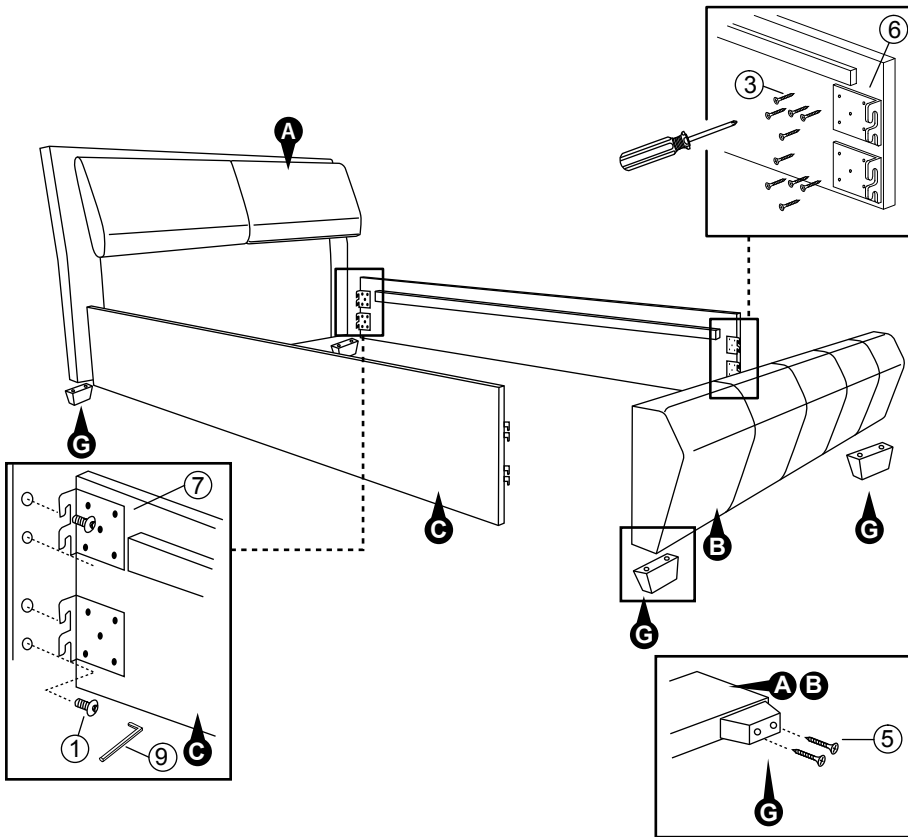


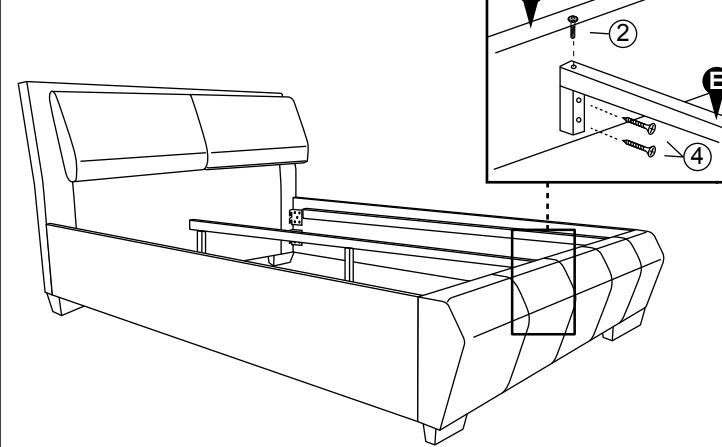
# ITEM: JET 8045 BED

# ASSEMBLY INSTRUCTION

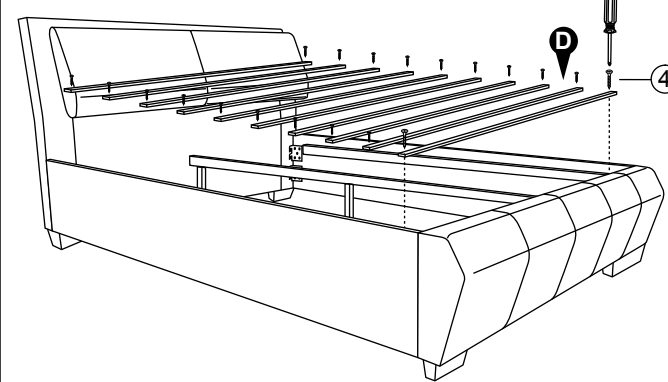
## STEP 1



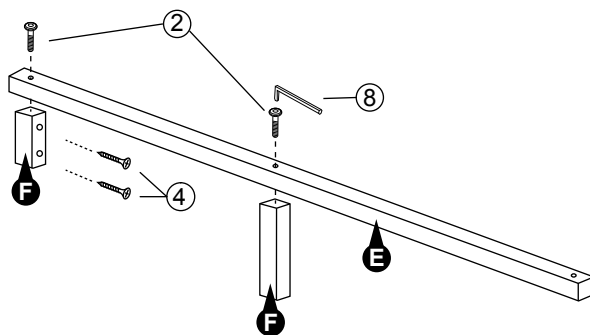
## STEP 3



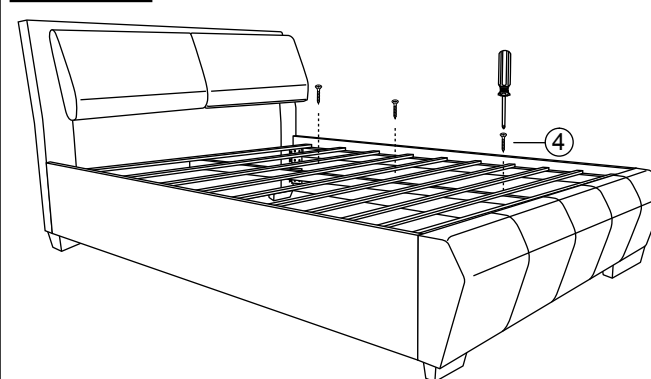
## STEP 4






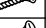




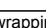
## STEP 2



## STEP 5



NO	PART LIST	QTY
A	HEAD BOARD	1 PC
B	FOOT BOARD	1 PC
C	SIDE PANEL	2 PCS
D	BED SLAT	10 PCS
E	BED CENTER RAIL	1 PC
F	BED CENTER RAIL SUPPORT	3 PCS
G	LEGS	4 PCS

NO	HARDWARE LIST	QTY
1	JCBB BOLT M8 X 16mm 	16 PCS
2	JCBC BOLT M6 X 40mm 	3 PCS
3	CSK SCREW M3.5 X 16mm 	40 PCS
4	CSK SCREW M4 X 32mm 	27 PCS
5	CSK SCREW M4 X 45mm 	8 PCS
6	5037 BED BRACKET (L) 	4 PCS
7	5037 BED BRACKET (R) 	4 PCS
8	M4 ALLEN KEY 	1 PC
9	M5 ALLEN KEY 	1 PC

Read this instruction carefully. Remove all wrapping material, staples and straps from the carton. See hardware and furniture part list for guidance. Be sure you have all wooden furniture parts on a clean and flat soft surface, such as a carpet or rug, to prevent from being scratched.

**CAUTION :**  
 1. Do not FULLY - TIGHTEN the nut or screw until all is ready to assemble.  
 2. Do not OVER - TIGHTEN the nut or screw to avoid causing damages to the thread.  
 3. Keep all hardware part out reach of children.

