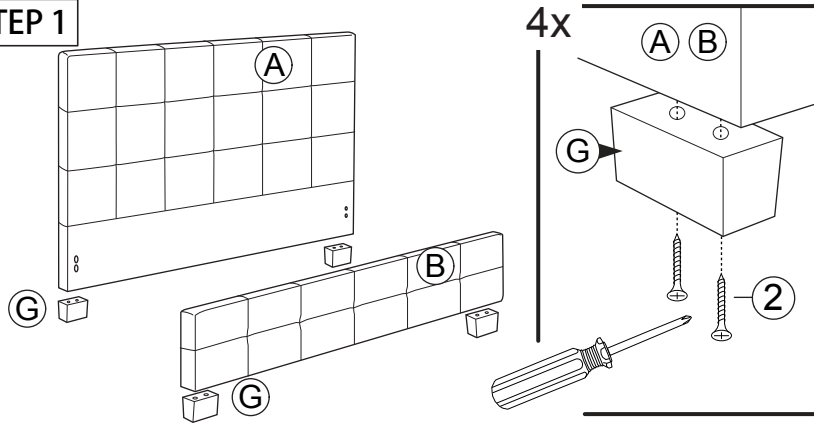


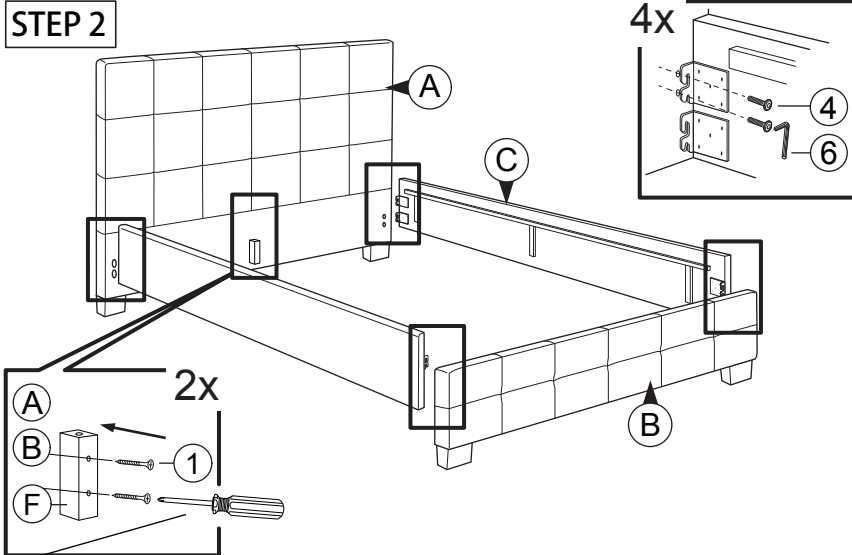
MODEL: 8021 PU BED (QUEEN)

ASSEMBLY INSTRUCTIONS

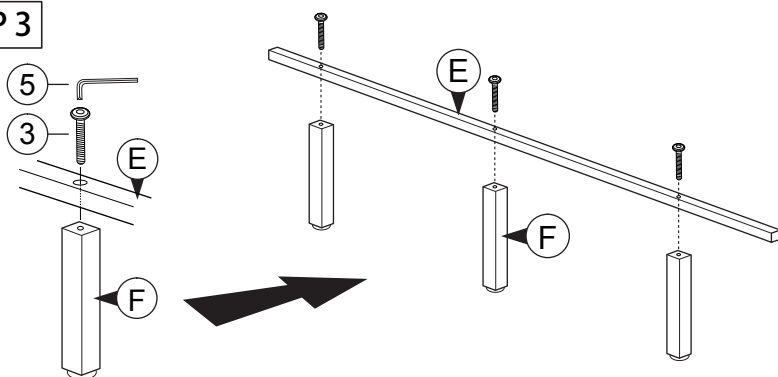
STEP 1



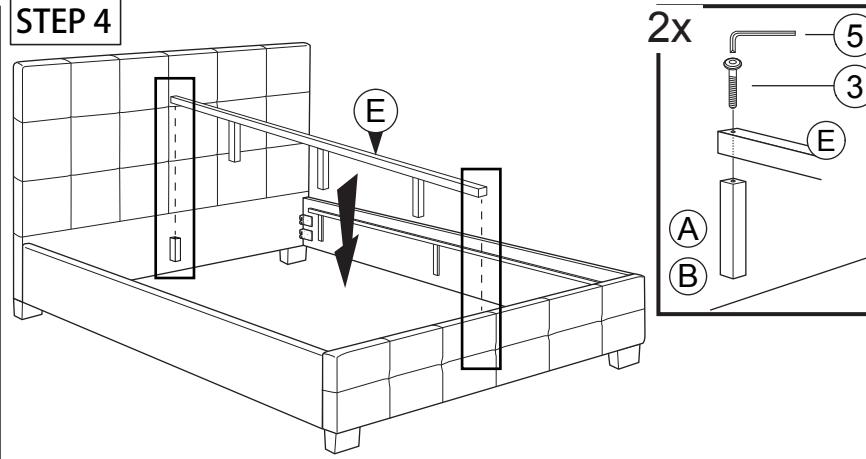
STEP 2



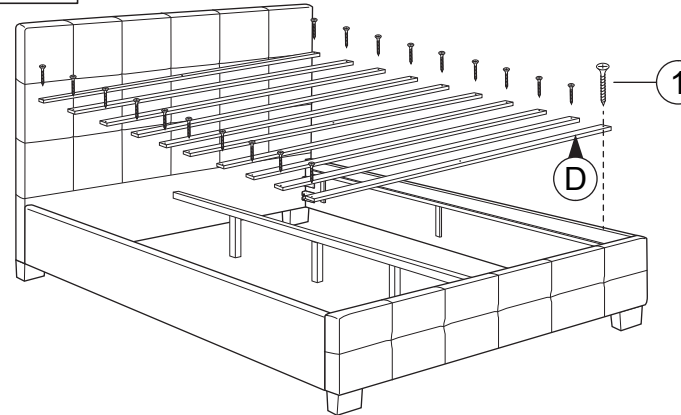
STEP 3



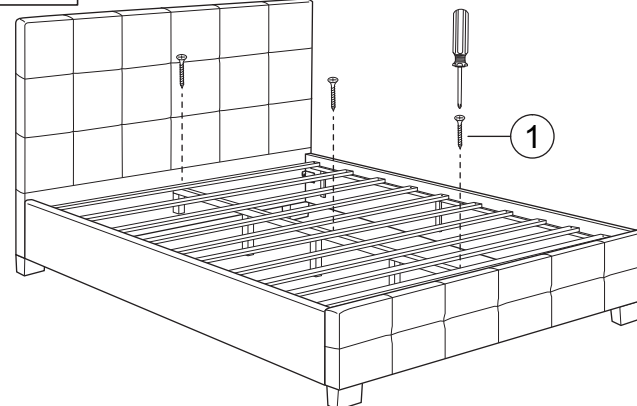
STEP 4



STEP 5



STEP 6



| NO | PART LIST | QTY |
|----|-------------------------|--------|
| A | Head Board | 1 pc |
| B | Foot Board | 1 pc |
| C | Side Panel | 2 pcs |
| D | Bed Slat | 10 pcs |
| E | Bed Center Rail | 1 pc |
| F | Bed Center Rail Support | 5 pcs |
| G | Bed Leg | 4 pcs |

| No | Hardware List | QTY |
|----|----------------|--------|
| 1 | CSK M4 x 32mm | 27 pcs |
| 2 | CSK M4 x 45mm | 8 pcs |
| 3 | JCBC M6 x 40mm | 5 pcs |
| 4 | JCBB M8 x 20mm | 16 pcs |
| 5 | Allen Key M4 | 1 pc |
| 6 | Allen Key M5 | 1 pc |

Read this instruction carefully. Remove all wrapping material, staples and straps from the carton. See hardware and furniture part list for guidance. Be sure you have all wooden furniture parts on a clean and flat soft surface, such as a carpet or rug, to prevent from being scratched.

- CAUTION :**
- Do not FULLY - TIGHTEN the nut or screw until all ready to assemble.
 - Do not OVER - TIGHTEN the nut or screw to avoid causing damages to the thread.
 - Keep all hardware part reach of children.



COMPLETED ASSEMBLE

