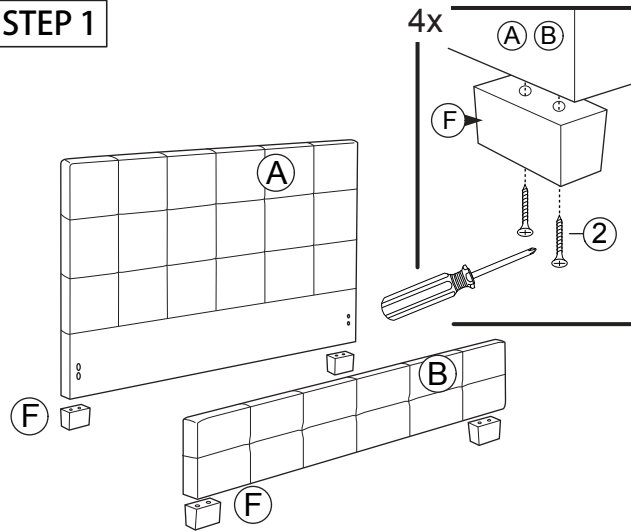


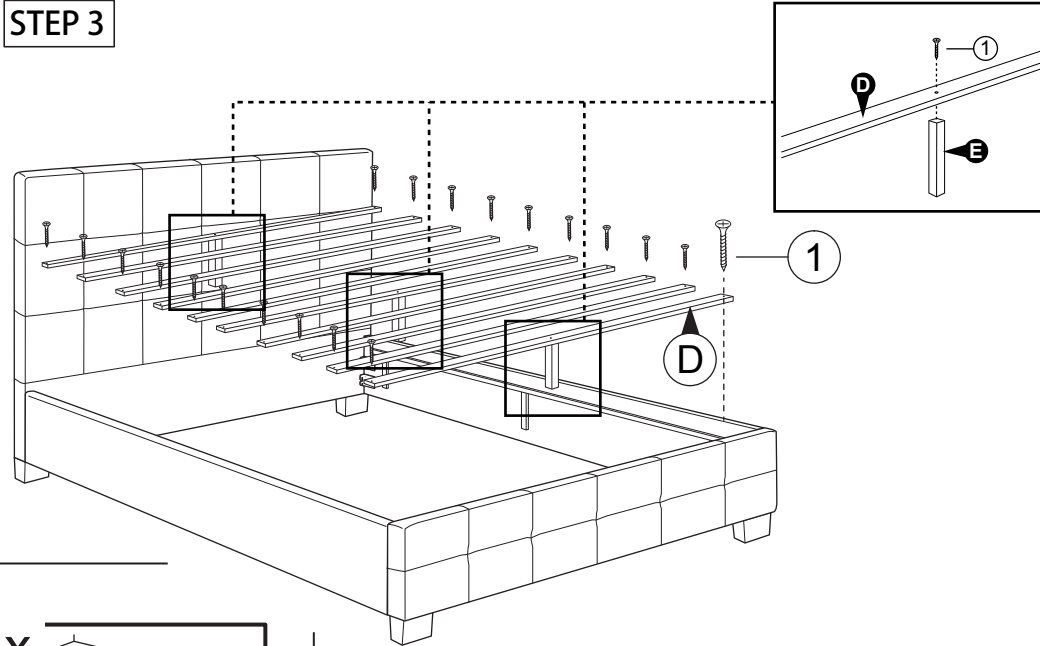
MODEL: 8021 PU BED (FULL)

ASSEMBLY INSTRUCTIONS

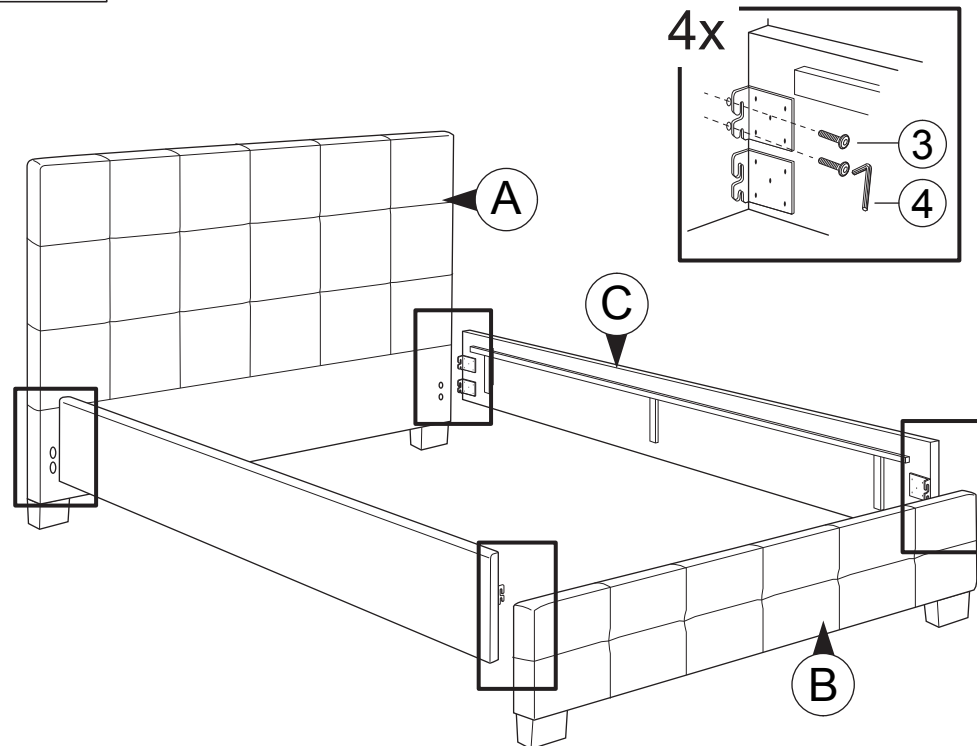
STEP 1



STEP 3



STEP 2



NO	PART LIST	QTY
A	Head Board	1 pc
B	Foot Board	1 pc
C	Side Panel	2 pcs
D	Bed Slat	10 pcs
E	Bed Center Rail Support	3 pcs
F	Bed Leg	4 pcs

No	Hardware List	QTY
1	CSK M4 x 32mm	23 pcs
2	CSK M4 x 45mm	8 pcs
3	JCBB M8 x 20mm	16 pcs
4	Allen Key M5	1 pc

Read this instruction carefully. Remove all wrapping material, staples and straps from the carton. See hardware and furniture part list for guidance. Be sure you have all wooden furniture parts on a clean and flat soft surface, such as a carpet or rug, to prevent from being scratched.

- CAUTION :**
1. Do not FULLY - TIGHTEN the nut or screw until all ready to assemble.
 2. Do not OVER - TIGHTEN the nut or screw to avoid causing damage to the thread.
 3. Keep all hardware part reach of children.



COMPLETED ASSEMBLE

