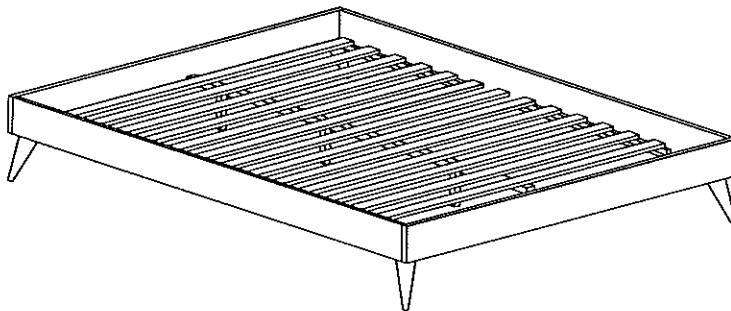


ASSEMBLY INSTRUCTION

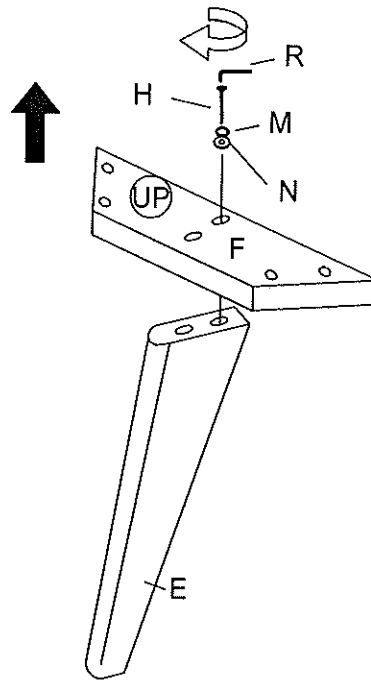
JAC OB TWIN BED / FULL BED / QUEEN BED / EASTERN KING BED

A HEADBOARD & FOOTBOARD PANEL 2PCS	B SIDE RAILS 2PCS	C CENTER SUPPORT 1PC	D SUPPORT LEG 3PCS
E BED LEG 4PCS	F BED LEG SUPPORT 4PCS	G BED SLATS 1SET (13PCS)	H JCBB M8 X 50MM 8PCS
I JCBB M8 X 25MM 8PCS	J JCBC M6 X 50MM 28PCS	K JCBC M6 X 15MM 4PCS	L JCBC M6 X 90MM 3PCS
M SPRING WASHER M8 16PCS	N FLAT WASHER M8 16PCS	O SPRING WASHER M6 16PCS	P FLAT WASHER M6 16PCS
Q ALLEN KEY M4 1PC	R ALLEN KEY M5 1PC	S ADJUSTER M6 3PCS	T L/BACKET 2PCS
U CSK M4 X 32MM 18PCS			

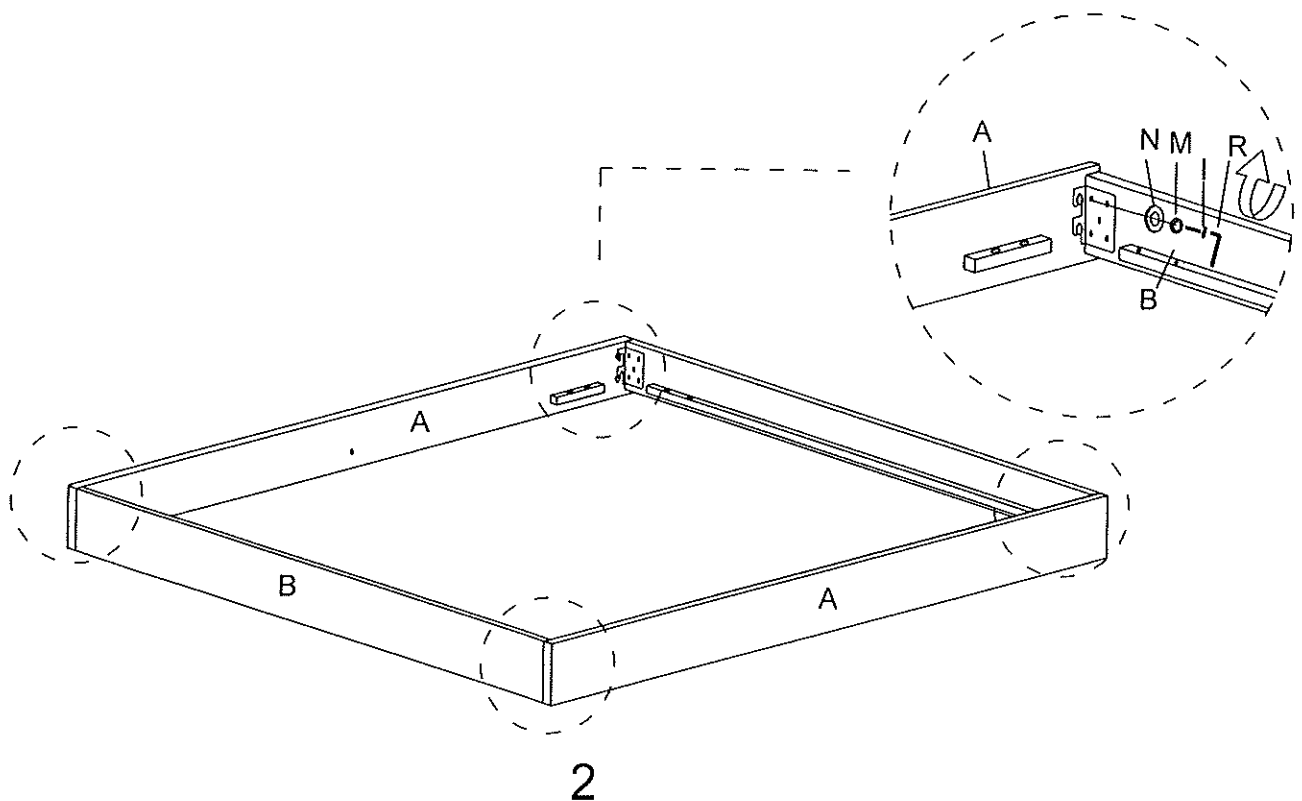
This page lists all the contents included in the box. Please take the time to identify the hardware as well as the individual components to this product. As you unpack and prepare for assembly, place the contents on the carpeted or padded area to protect them from damage.



- 1** Insert JCBB M8 X 50mm (H) Flat Washer M8 (N) Spring Washer M8 (M) to Bed Leg Support (F) connection Bed Leg (E) by Allen Key M5 (R).
Use hardware pack "STEP 1".

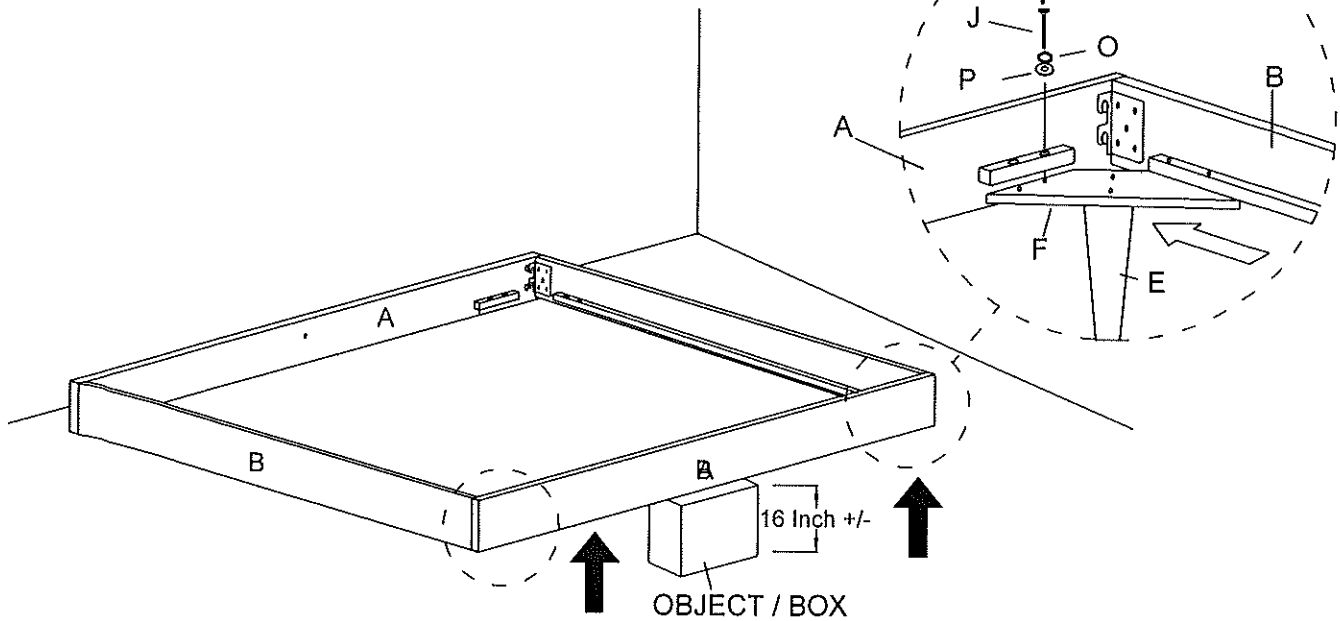


- 2** Insert JCBB M8 X 25mm (I) Flat Washer M8 (N) Spring Washer M8 (M) to Side Rail (B) connection Hb/Fb panel (A) by Allen Key M5 (R).
Use hardware pack "STEP 2".
For Allen Key M5 (R) please took from hardware pack "STEP 1".



- 3** Level up the Footboard Panel (A) by putting on object/box to fix the Bed Leg (E) with the Bed Leg Support (F). Insert JCBC M6 X 50mm (J) Flat Washer M6 (P) Spring Washer M6 (O) to Footboard panel (A) connection Bed Leg Panel by Allen Key M4 (Q).

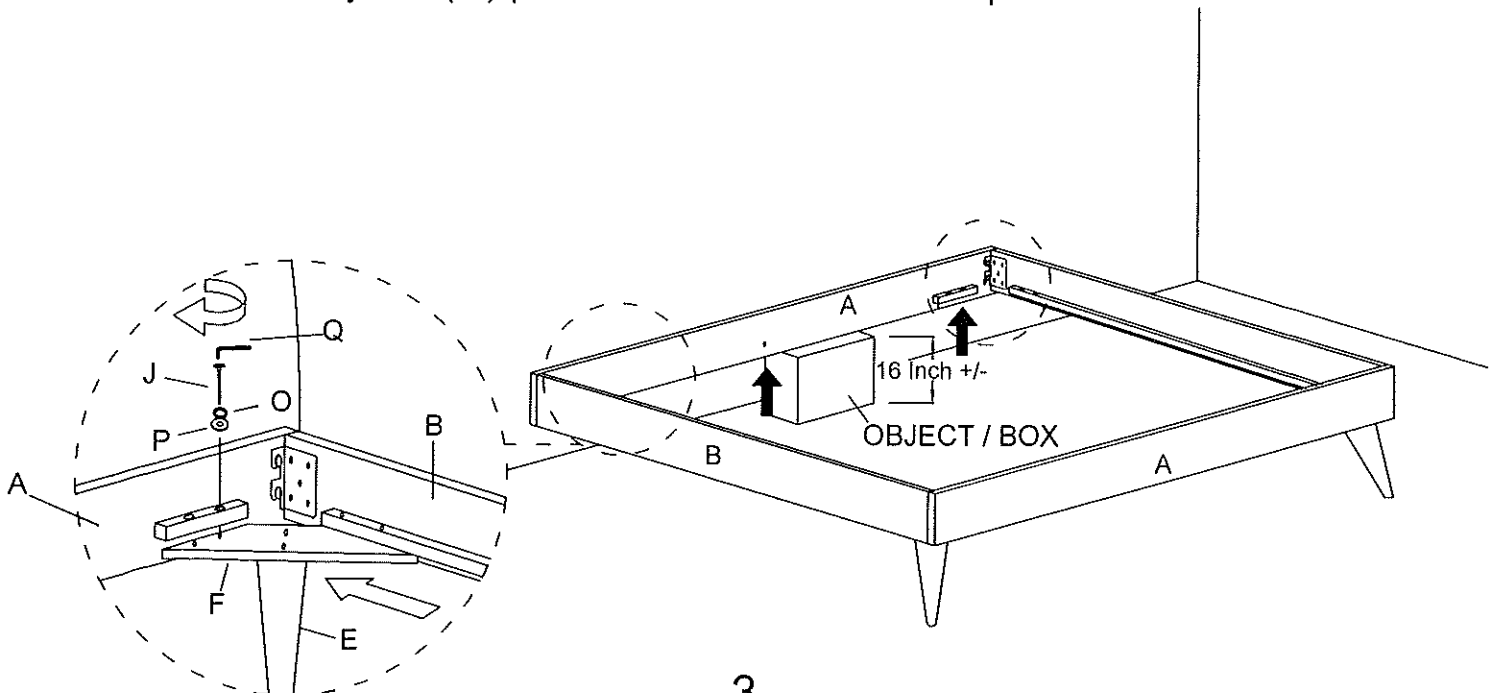
Use hardware pack "STEP 3 & 4".



- 4** Level up the Headboard Panel (A) by putting on object/box to fix the Bed Leg (E) with the Bed Leg Support (F). Insert JCBC M6 X 50mm (J) Flat Washer M6 (P) Spring Washer M6 (O) to Headboard panel (A) connection Bed Leg Panel by Allen Key M4 (Q).

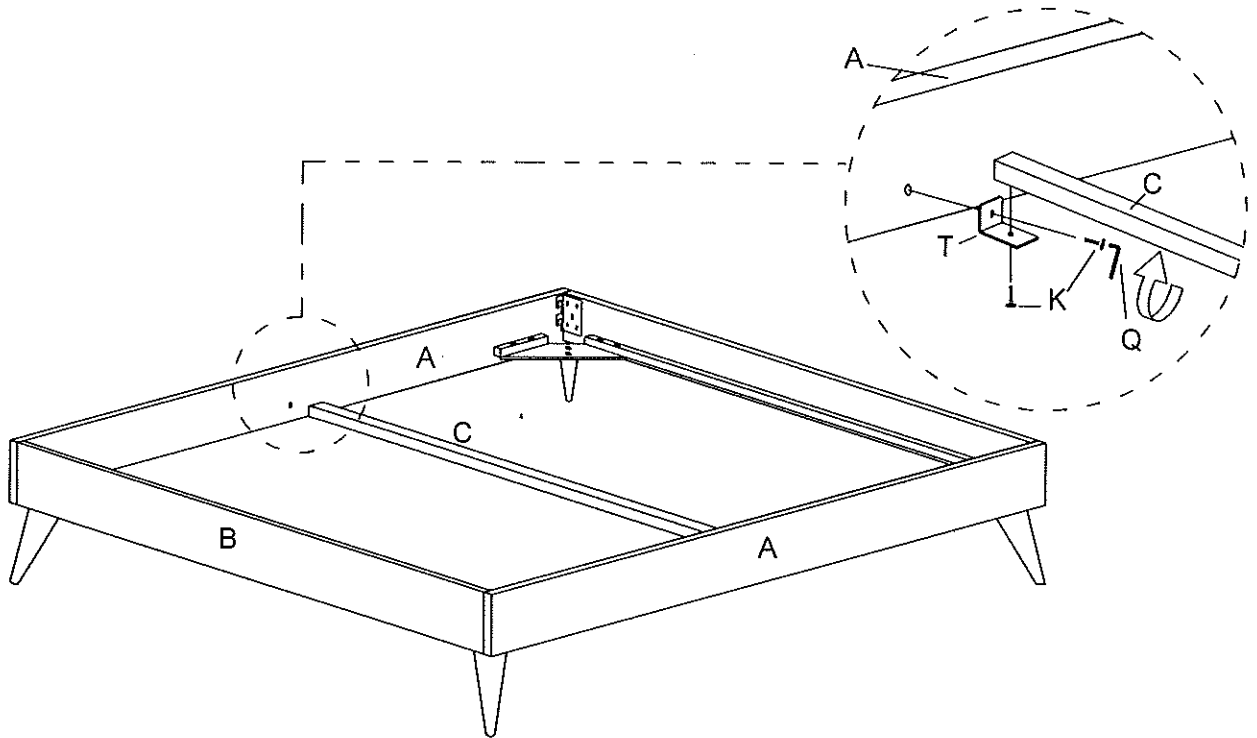
Use hardware pack "STEP 3 & 4".

For Allen Key M4 (Q) please took from hardware pack "STEP 3 & 4".



5 Insert JCBC M6 X15mm (K) to L/Bracket (T) to connection Center Support (C) by Allen Key M4 (Q).

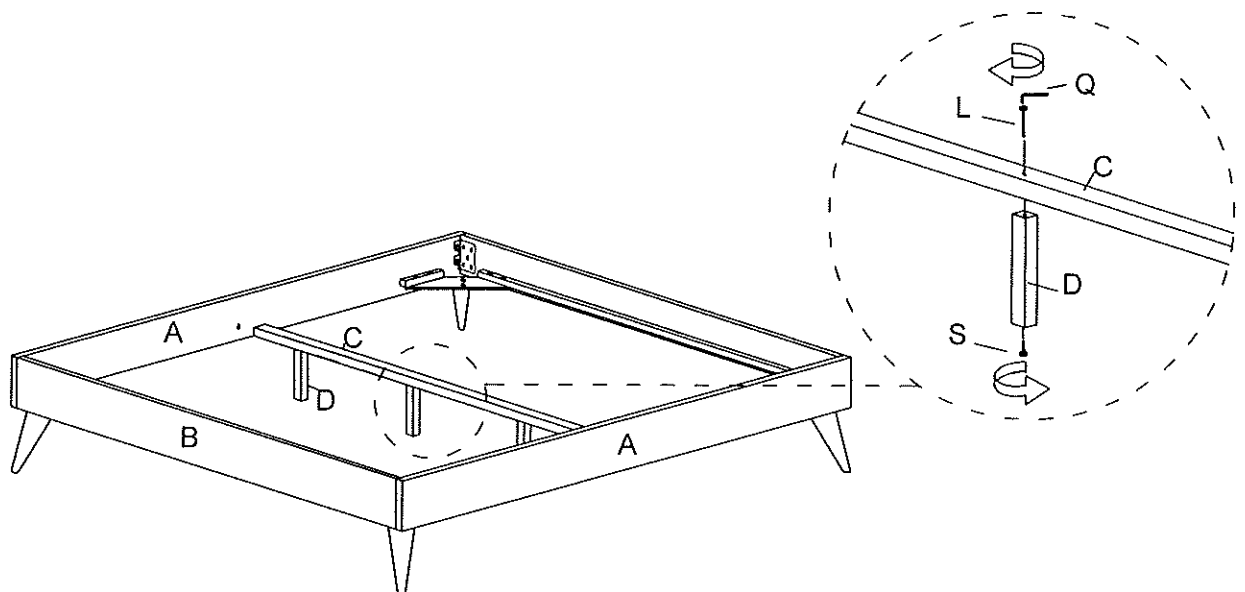
For Allen Key M4 (Q) please took from hardware pack "STEP 3 & 4".



6 Insert JCBC M6 X 70mm (L) into the Center Support (C) by Allen Key M4 (Q), into the Support Leg (D), and turn the Adjuster M6 (S) into the bottom of the Support Leg (D)

Use hardware pack "STEP 6".

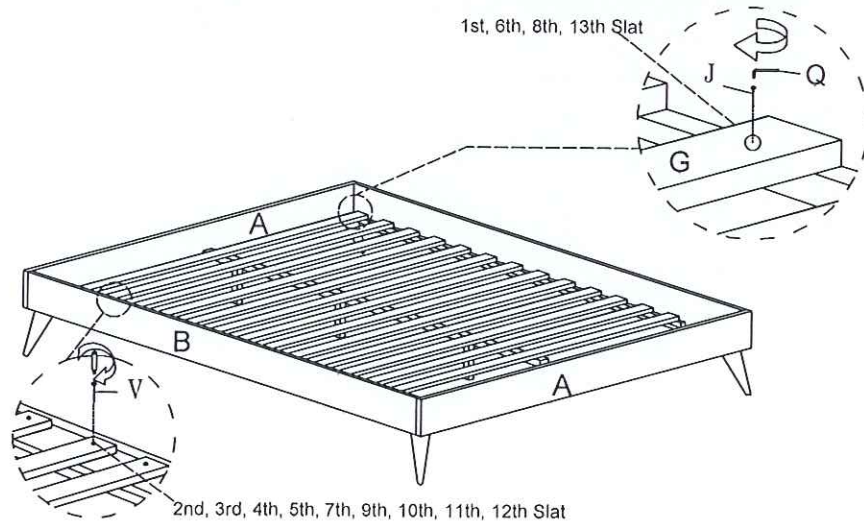
For Allen Key M4 (Q) please took from hardware pack "STEP 3 & 4".



7 Insert the JCBC M6 X 50mm (J) to 1st, 6th, 8th, 13th Bed Slat (G) connection Side Rail Cleat (B) and Insert CSK M4 X 32mm (U) to 2nd, 3rd, 4th, 5th, 7th, 9th, 10th, 11th, 12th Bed slat (G) connection Side Rail Cleat (B).

Use hardware pack "STEP 7".

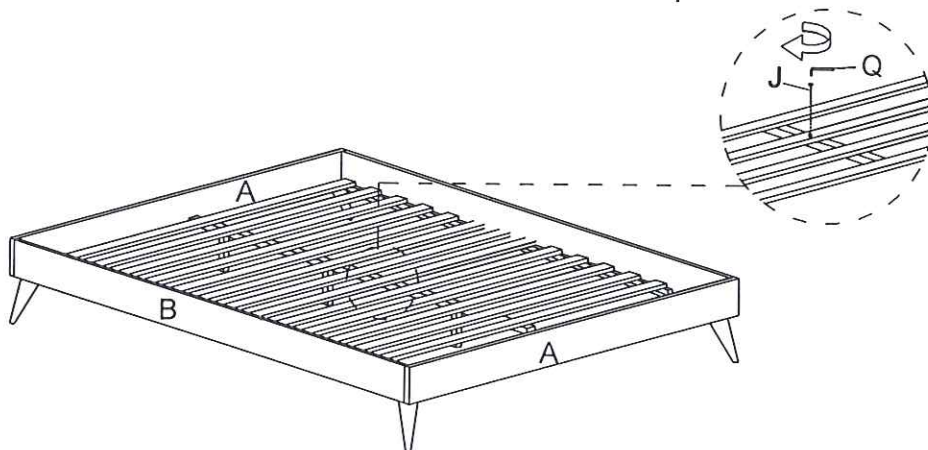
For Allen Key M4 (Q) please took from hardware pack "STEP 3 & 4".



8 Insert JCBC M6 X 50mm (J) to Bed slat (G) connection Center Support (C) by Allen Key M4 (Q).

Use hardware pack "STEP 8".

For Allen Key M4 (Q) please took from hardware pack "STEP 3 & 4".



Cleaning & Care

Treat surface with care. Surface is resistant to scratches but is not scratch resistant. Clean surfaces with a dry or damp soft cloth. Do not use abrasive cleaners. Hardware may loosen over time. Periodically check that all connections are tight.