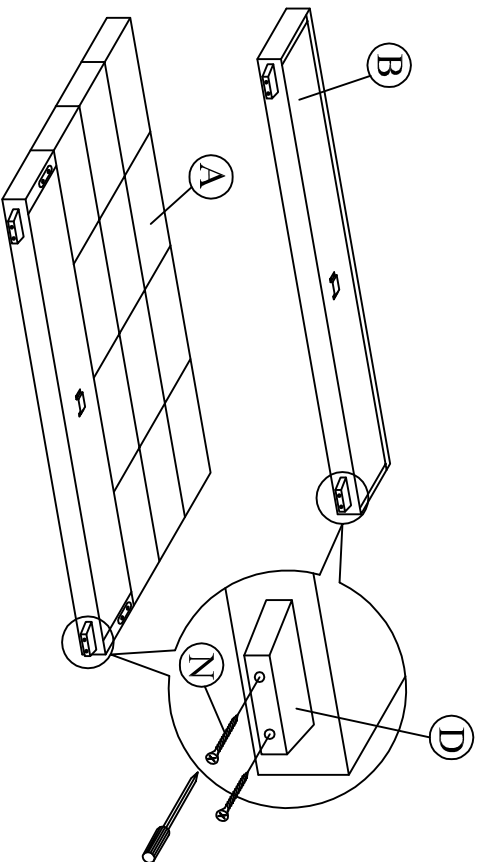


ASSEMBLY INSTRUCTION

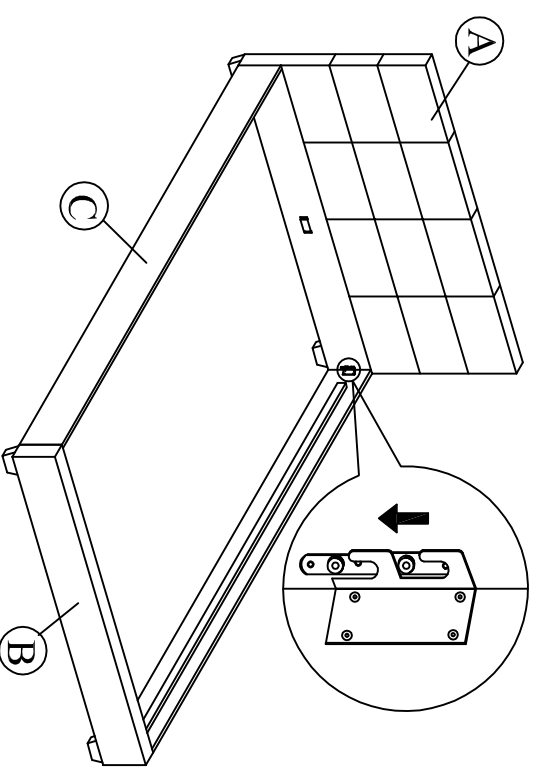
MODEL: CF 8514 (4'6")

| | | |
|---|---------------------------------|--------|
| A | Headboard | 1 pc |
| B | Footboard | 1 pc |
| C | Side Rail | 2 pcs |
| D | Leg | 4 pcs |
| E | Center Rail | 1 pc |
| F | Support Leg | 2 pcs |
| G | Slat | 26 pcs |
| H | Middle Holder | 13 pcs |
| I | End Holder | 26 pcs |
| J | JCRC M6 X 40 | 2 pcs |
| K | K1 K2 M5 x 70mm M4 x 65mm | 1 pc |
| L | CSK M4 x 25mm | 2 pcs |
| M | CSK M4 x 32mm | 3 pcs |
| N | CSK M4 x 50mm | 8 pcs |
| O | CSK M4 x 16mm | 4 pcs |
| P | Stiffener Slat (3 Holes) | 1 pc |

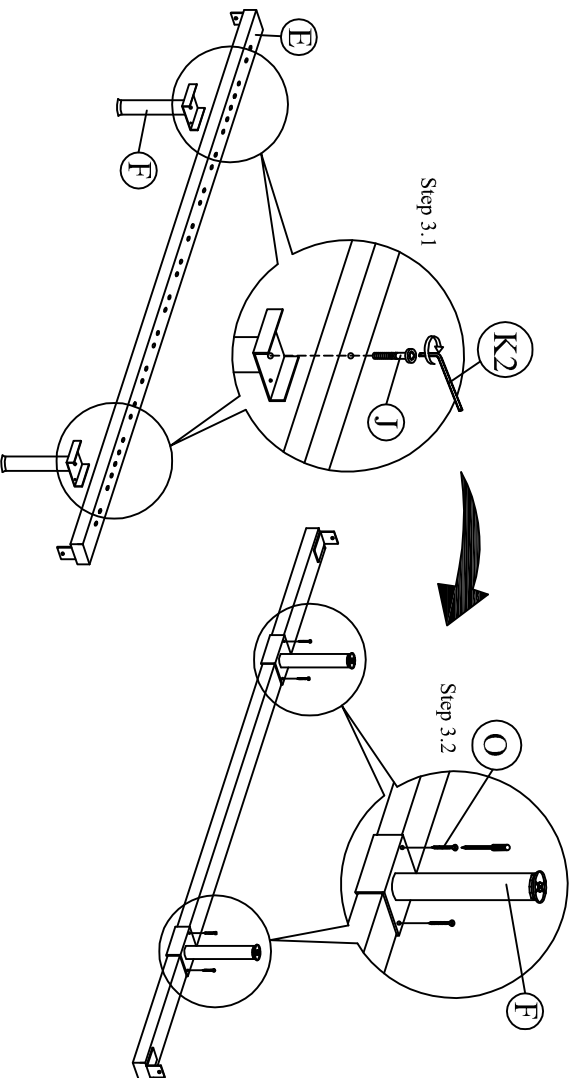
Step 1: Tighten the legs (D) to both headboard (A) and footboard (B) as shown.



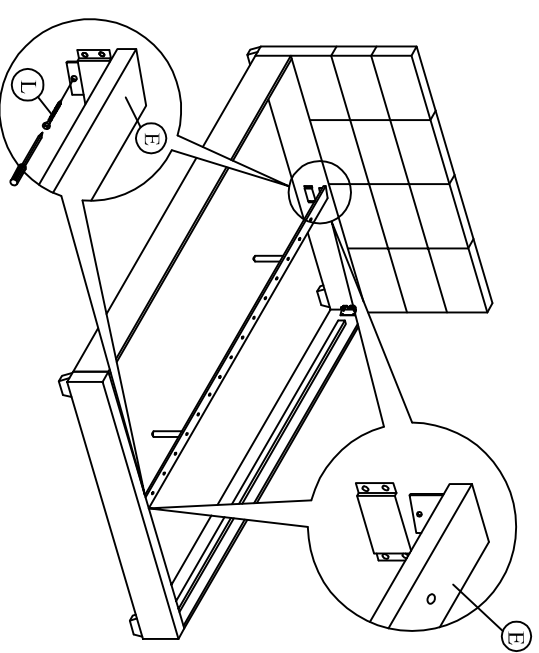
Step 2: Attach side rail (C) to headboard (A) and footboard (B) by pushing the bracket down to fit it.



Step 3: Attach the support legs (F) to the center rail (E) of the bed as shown.



Step 4: Slide the center rail (E) to the headboard (A) and footboard (B). Tighten screws (L) using screw driver (not included) to the headboard (A) and footboard (B).



Step 5: Affix the Stiffener Slat (P) to the side rail support wood and the center rail (E) . Tighten all the 4 corner ,follow by assembly of the slat holders with LVL slats as shown.

