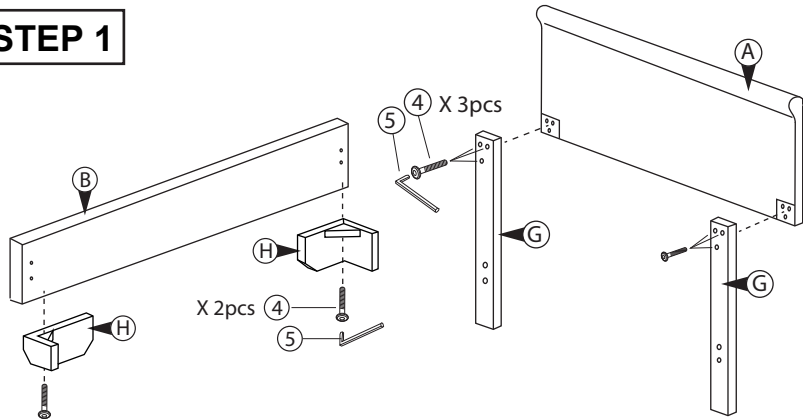
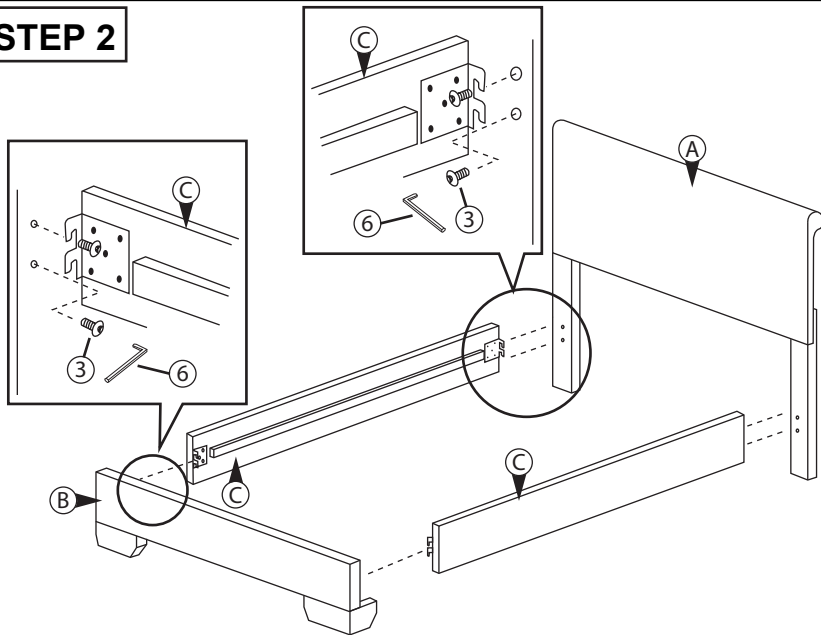


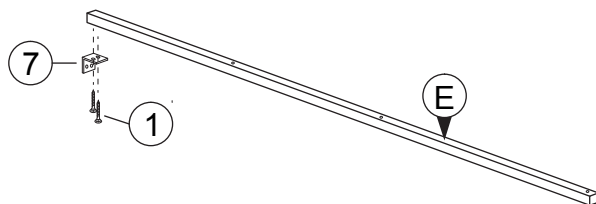
STEP 1



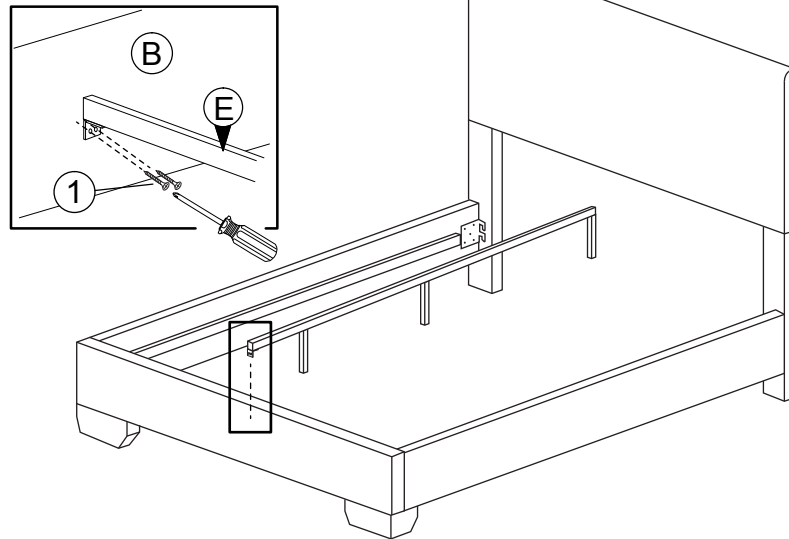
STEP 2



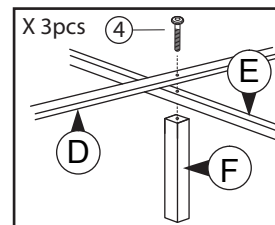
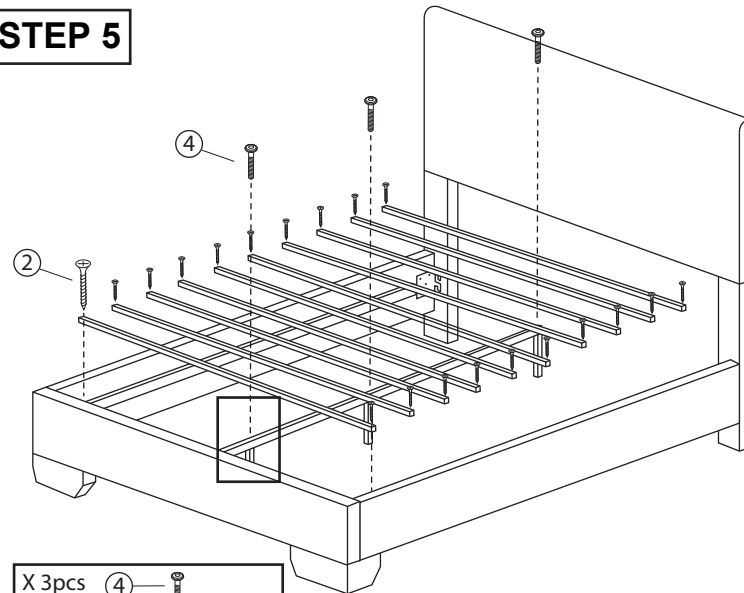
STEP 3



STEP 4



STEP 5



NO	PART LIST	QTY
A	Head Board	1 pc
B	Foot Board	1 pc
C	Side Panel	2 pcs
D	Bed Slat	10 pcs
E	Center Rail Bed	1 pc
F	Support Bed	3 pcs
G	Leg Headboard	2 pcs
H	Leg Footboard	2 pcs

NO	HARDWARE LIST	QTY
1	CSK M4 X 16mm	4 pcs
2	CSK M4 X 32mm	20 pcs
3	JCBB M8 X 20mm	8 pcs
4	JCBC M6 X 40mm	11 pcs
5	Allen Key M4	1 pc
6	Allen Key M5	1 pc
7	Metal 'L' Bracket (4 Hole)	1 pcs

Read this instruction carefully. Remove all wrapping material, staples and straps from the carton. See hardware and furniture part list for guidance. Be sure you have all wooden furniture parts on a clean and flat soft surface, such as a carpet or rug, to prevent from being scratched.

- CAUTION:**
- Do not FULLY - TIGHTEN the nut or screw until all is ready to assemble.
 - Do not OVER - TIGHTEN the nut or screw to avoid causing damages to the thread.
 - Keep all hardware part out reach of children.

