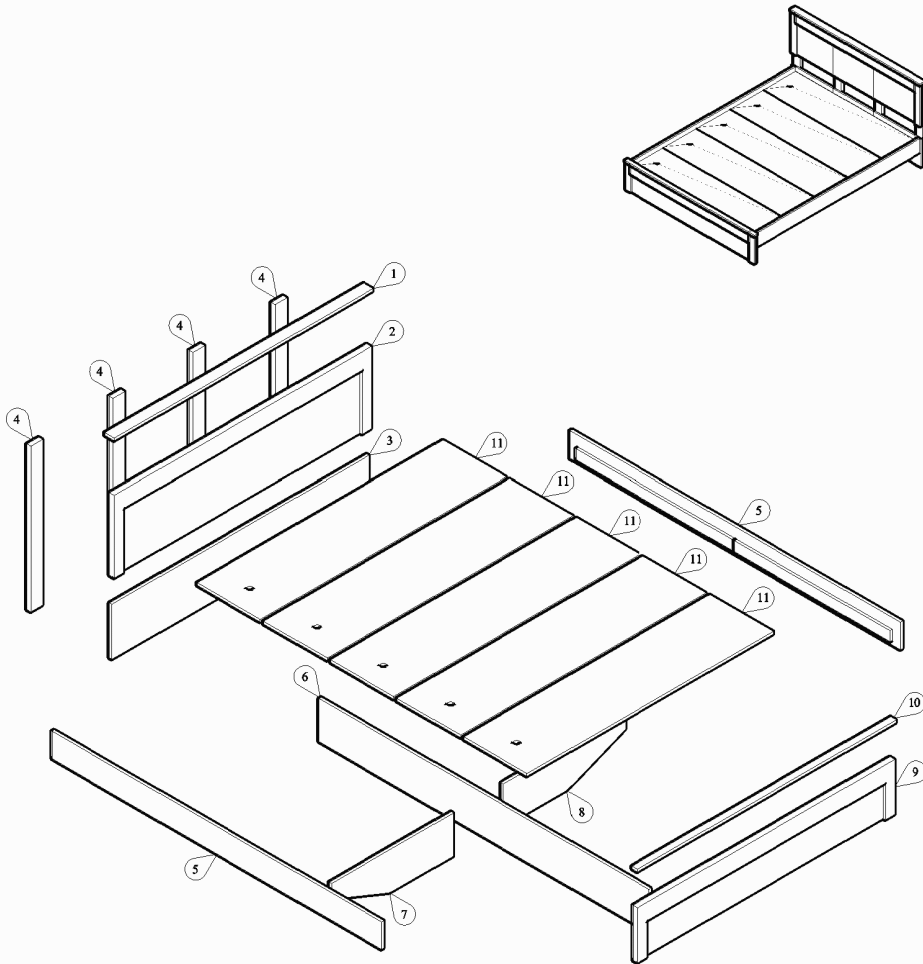









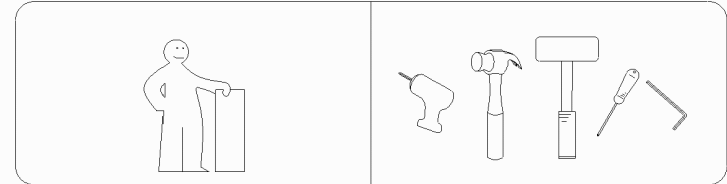
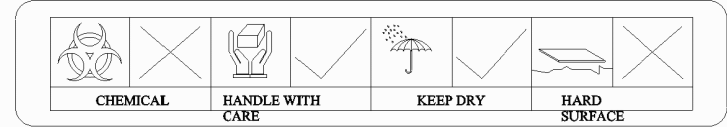


MODEL : JM QB 002291-US

PANEL POSITION



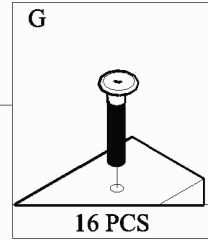
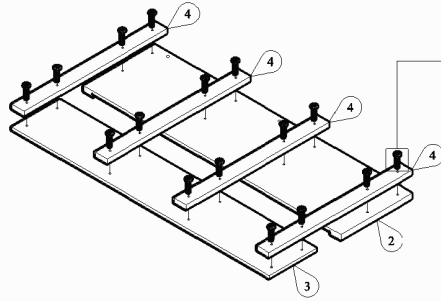
	ACCESSORIES	QUANTITY
A	 MINIFIX M5x24MM	8 PCS
B	 MINIFIX M10x34MM	12 PCS
C	 MINIFIX M7x64MM	1 PC
D	 MINIFIX CASING	22 PCS
E	 WOOD DOWEL M8x30MM	26 PCS
F	 SCREW M4x38MM	10 PCS
G	 SCREW M6x35MM	16 PCS
H	 RECTANGLE LEG SCREW M3.5x16MM	8 PCS 16 PCS
I	 ALLEN KEY	1 PC



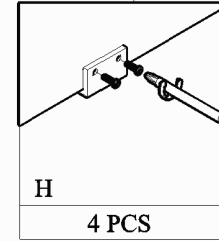
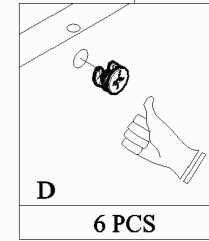
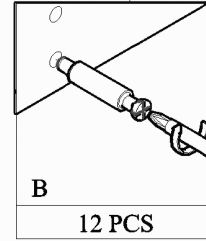
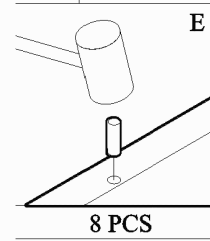
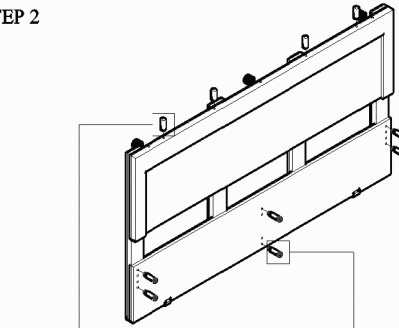


# START ASSEMBLY

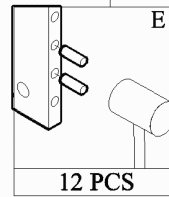
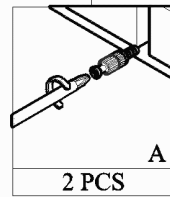
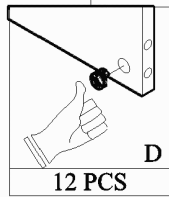
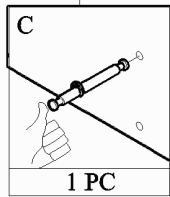
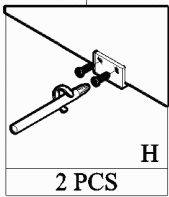
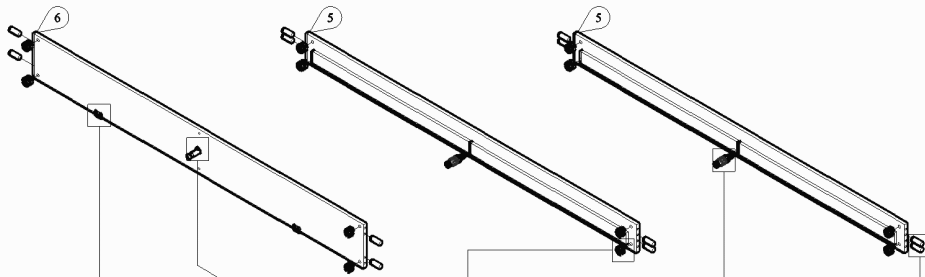
## STEP 1



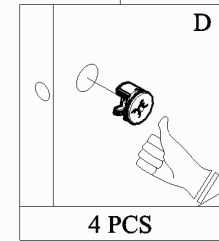
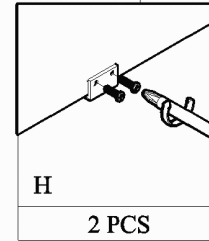
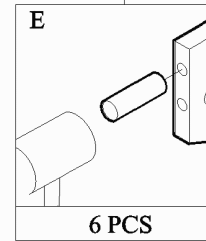
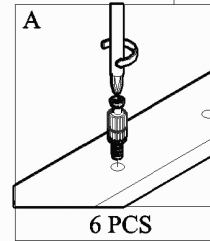
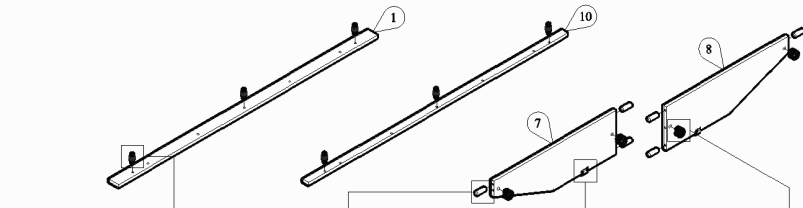
## STEP 2



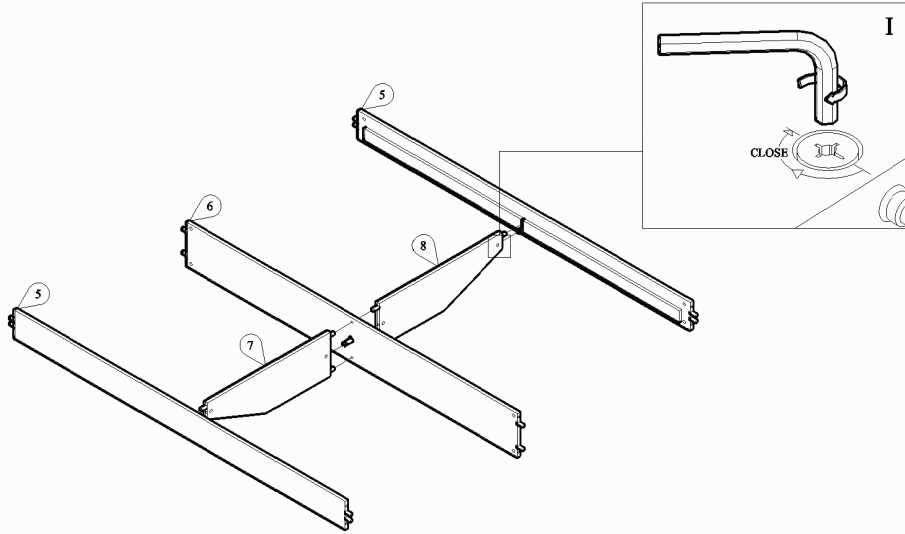
## STEP 3



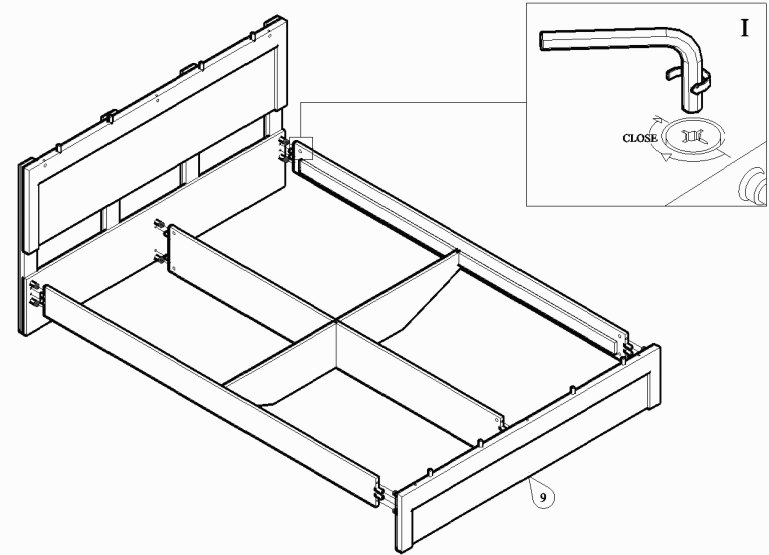
## STEP 4



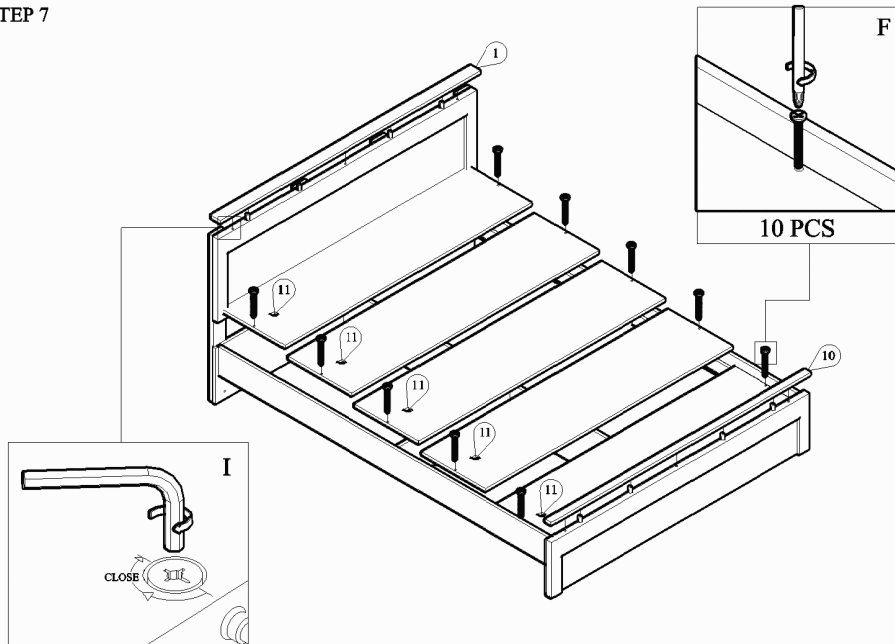
STEP 5



STEP 6



STEP 7



COMPLETED

