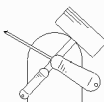
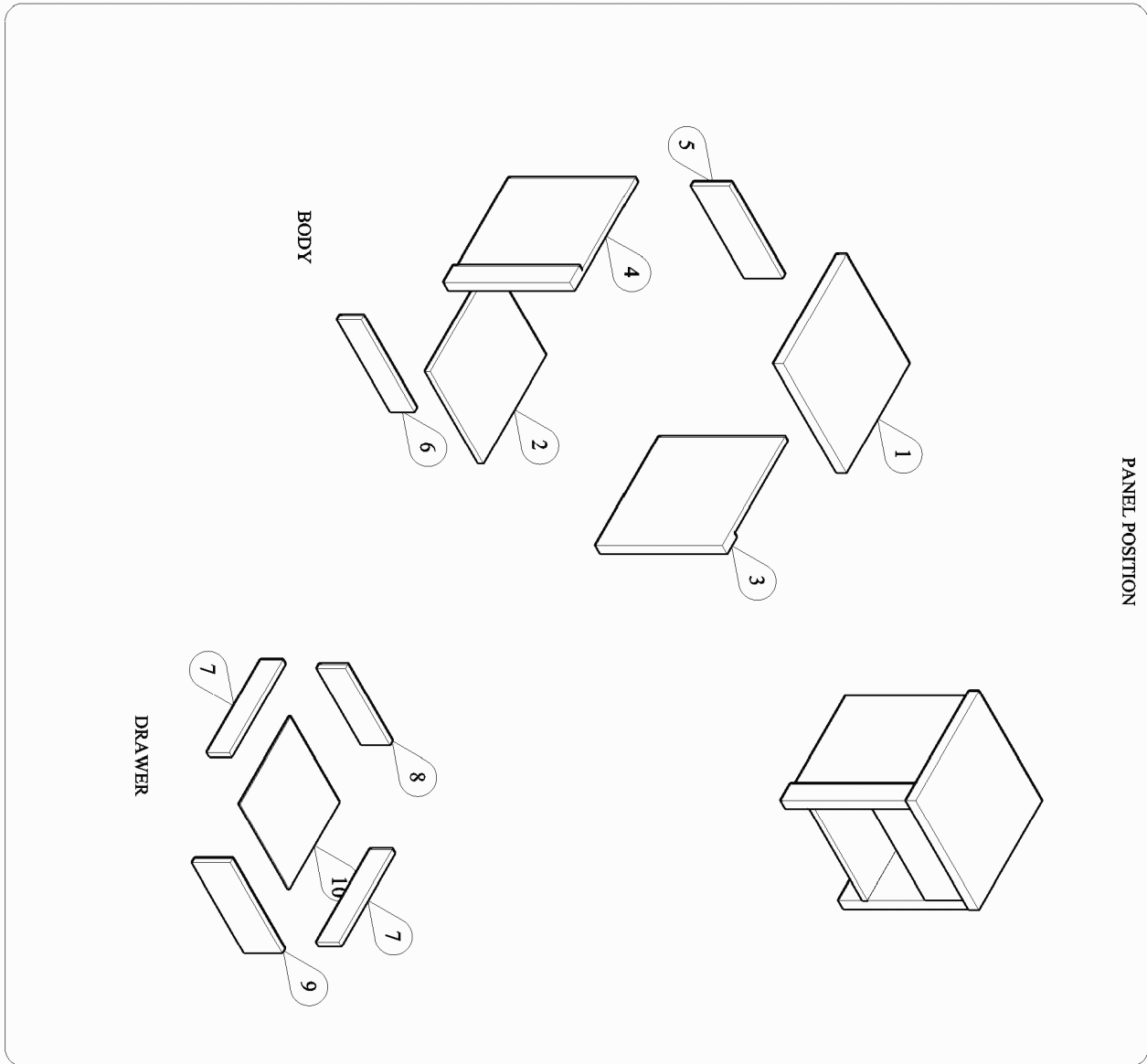


MODEL = JM NT 0024 - US

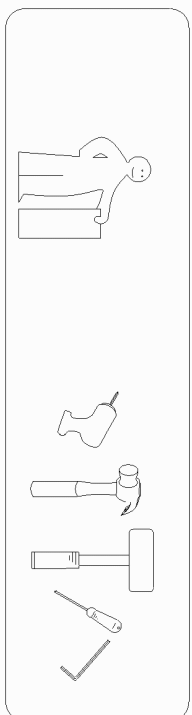


PANEL POSITION



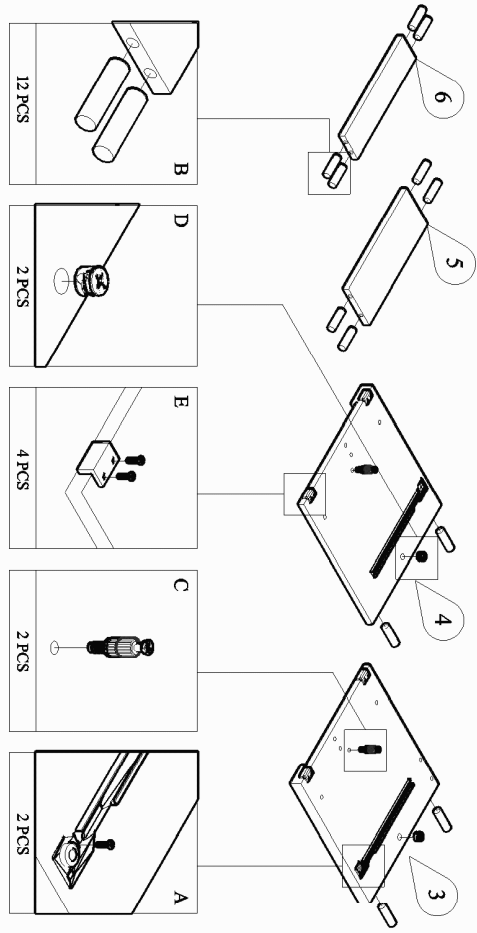
	ACCESSORIES	QUANTITY
A	DRAWER SLIDE 14" SCREW 3.5x12MM	1 SET 12 PCS
B	WOOD DOWEL M3x80MM	16 PCS
C	MINIFIX M5x24MM	4 PCS
D	MINIFIX CASING	4 PCS
E	RECTANGLE LEG SCREW 3.5x16MM	4 PCS 8 PCS
F	SCREW M4x38MM	8 PCS
G	ALLEN KEY	1 PC

CHEMICAL	HANDLE WITH CARE	KEEP DRY	HARD SURFACE
<input checked="" type="checkbox"/>	<input checked="" type="checkbox"/>	<input checked="" type="checkbox"/>	<input checked="" type="checkbox"/>

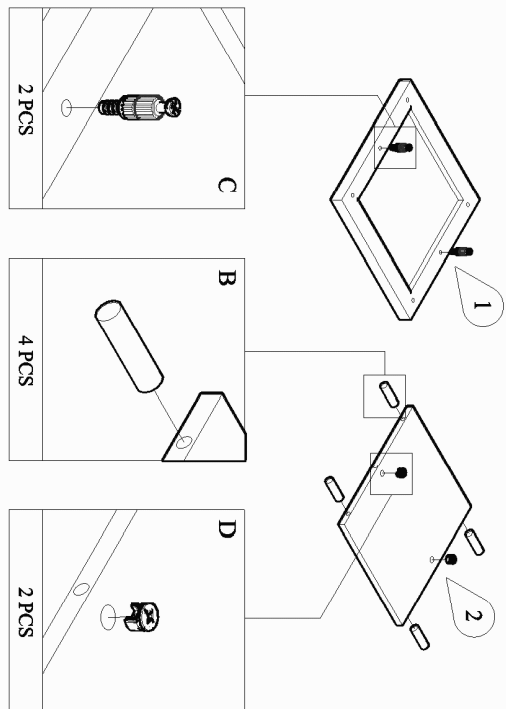


START ASSEMBLY

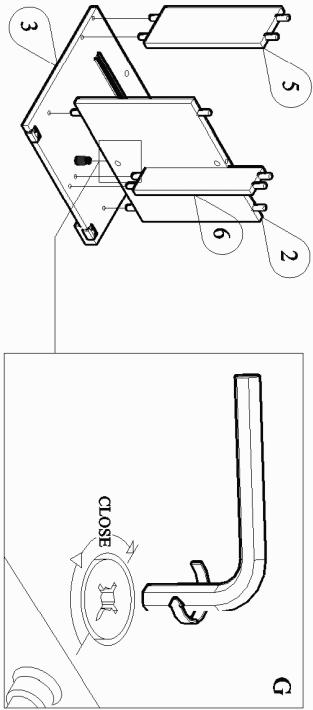
STEP 1



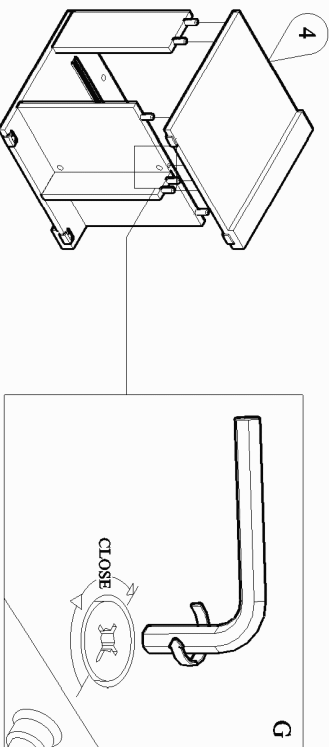
STEP 2



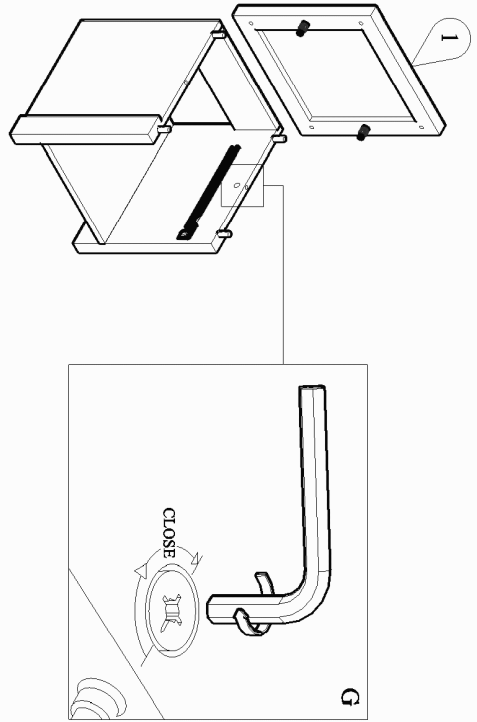
STEP 3



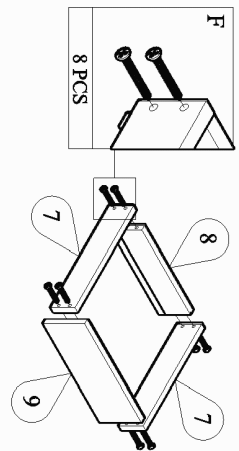
STEP 4



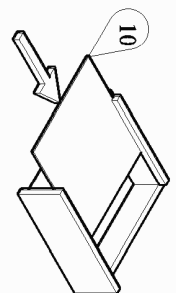
STEP 5



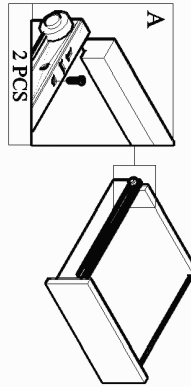
STEP 6



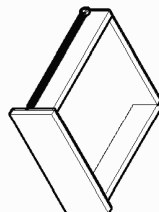
STEP 7



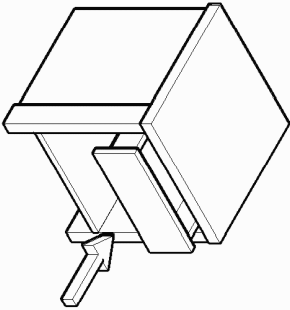
STEP 8



COMPLETED



STEP 9



COMPLETED

