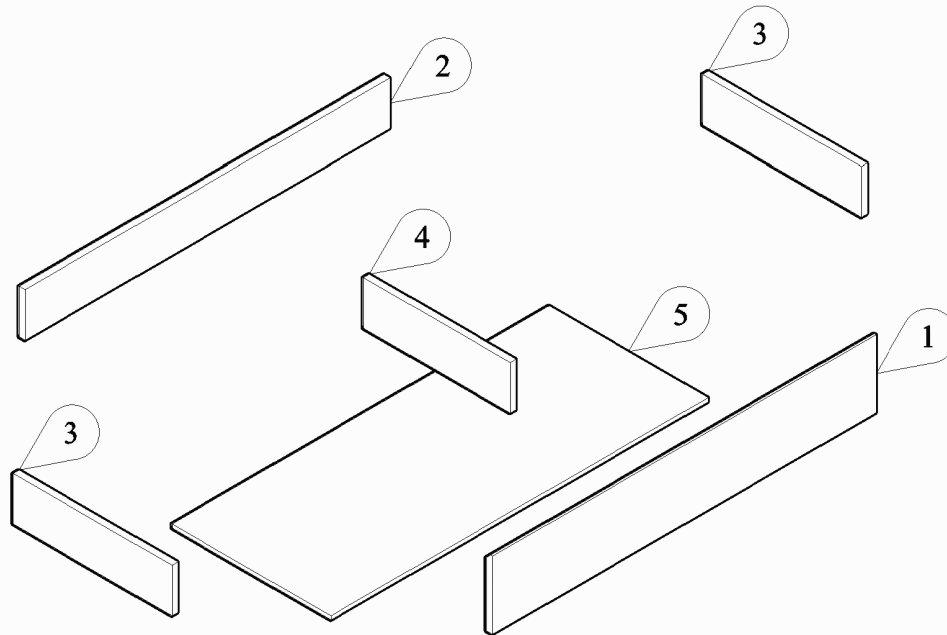
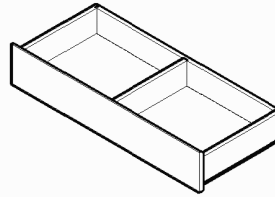




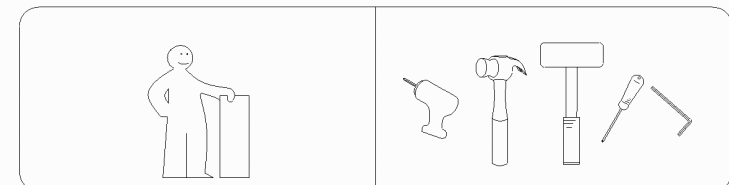
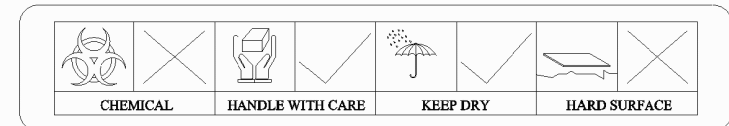


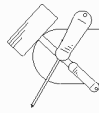
MODEL : JM DW 0028 - US

PANEL POSITION



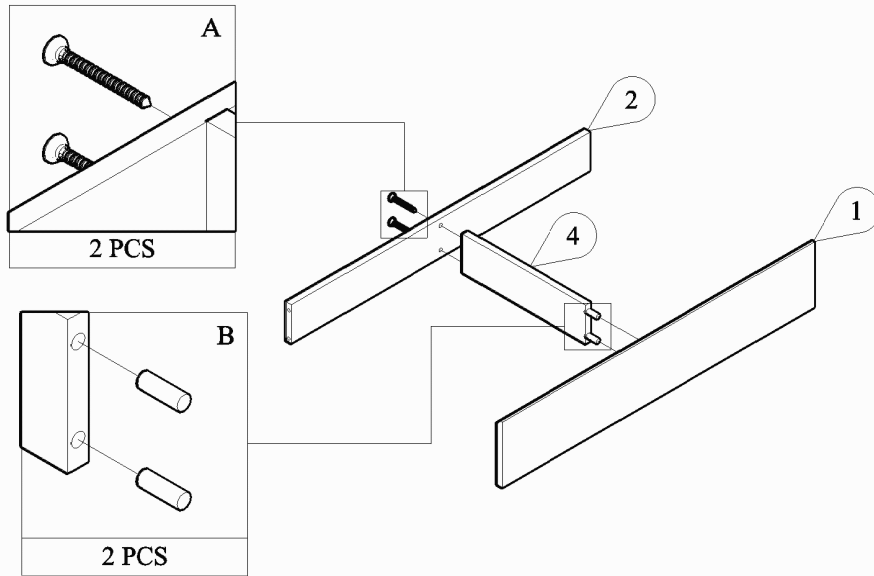
	ACCESSORIES	QUANTITY
A	 SCREW M4x38MM	10 PCS
B	 WOOD DOWEL M8x30MM	2 PCS
C	 SCREW M4x20MM	7 PCS
D	 CASTER SCREW M4x20MM	6 PCS 12 PCS



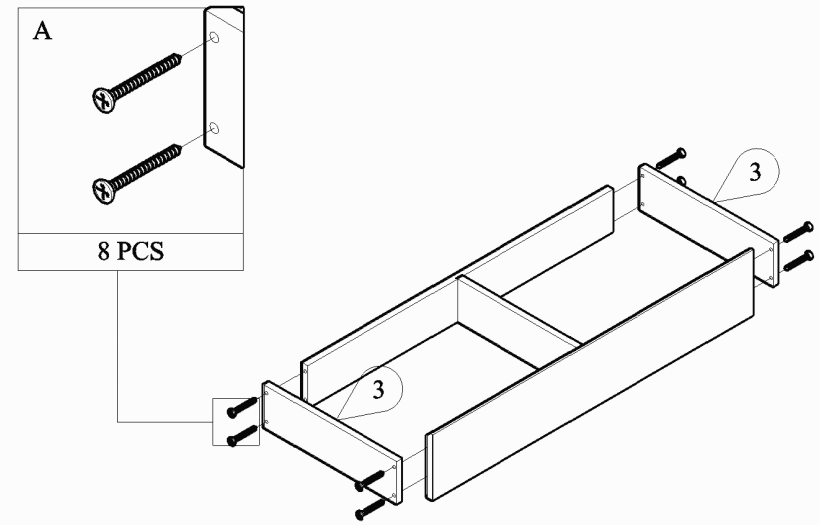


START ASSEMBLY

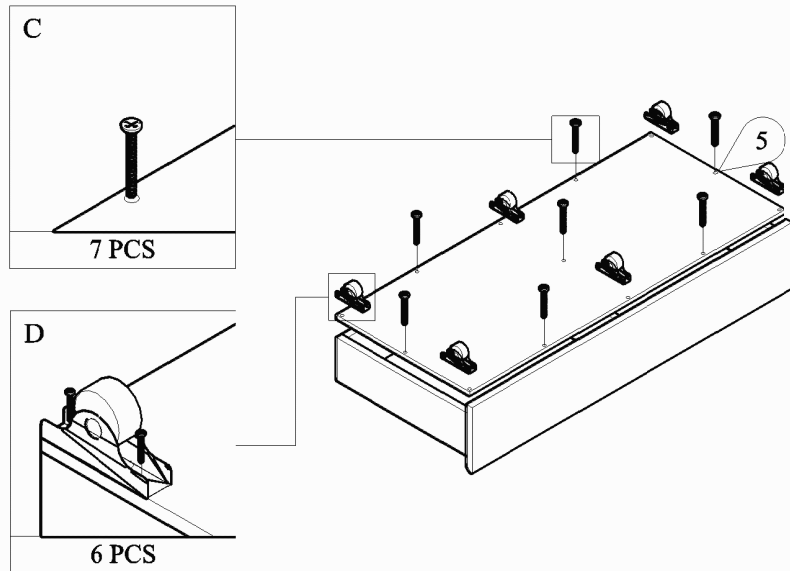
STEP 1



STEP 2



STEP 3



STEP 4

