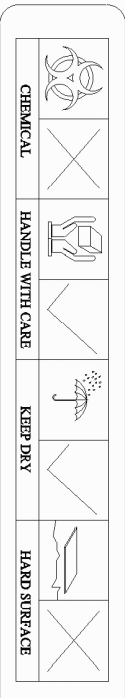
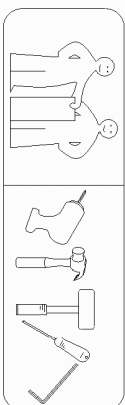
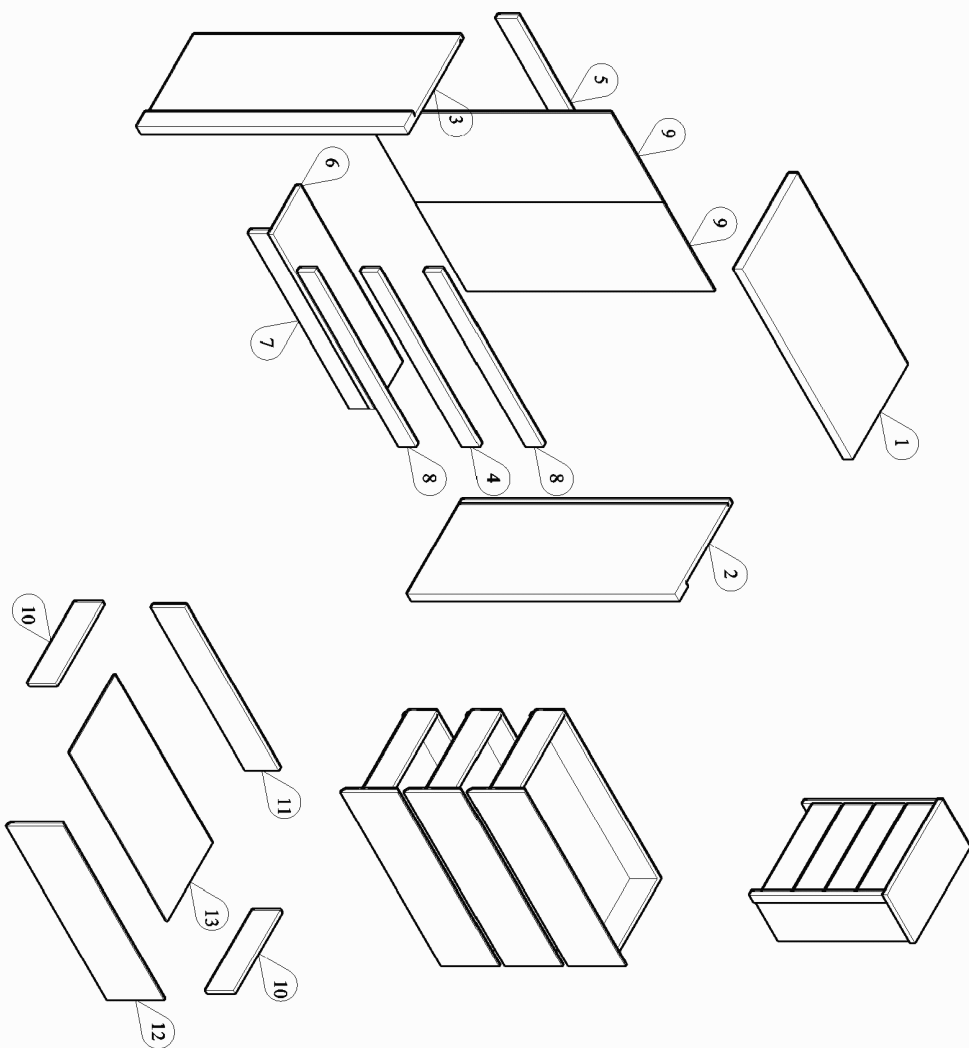


MODEL = JM DT 00271-US

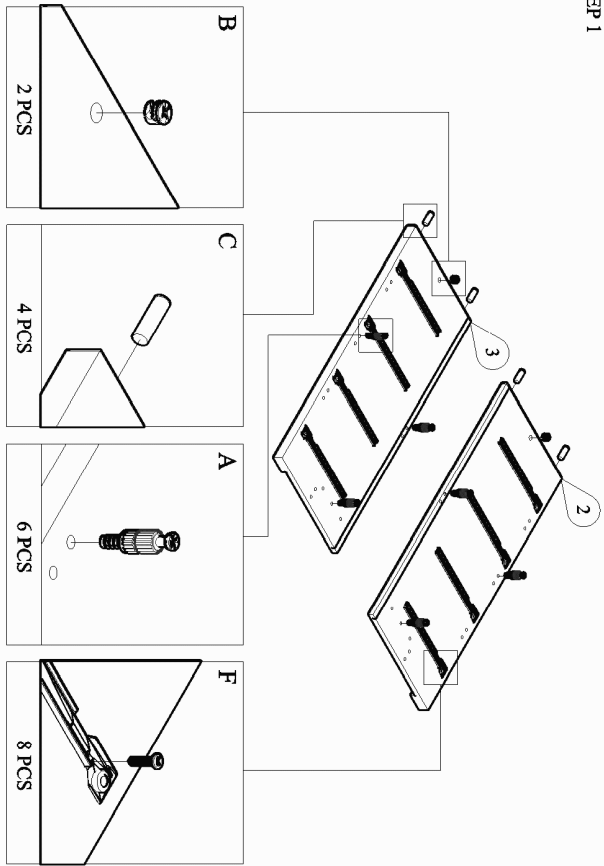
PANEL POSITION



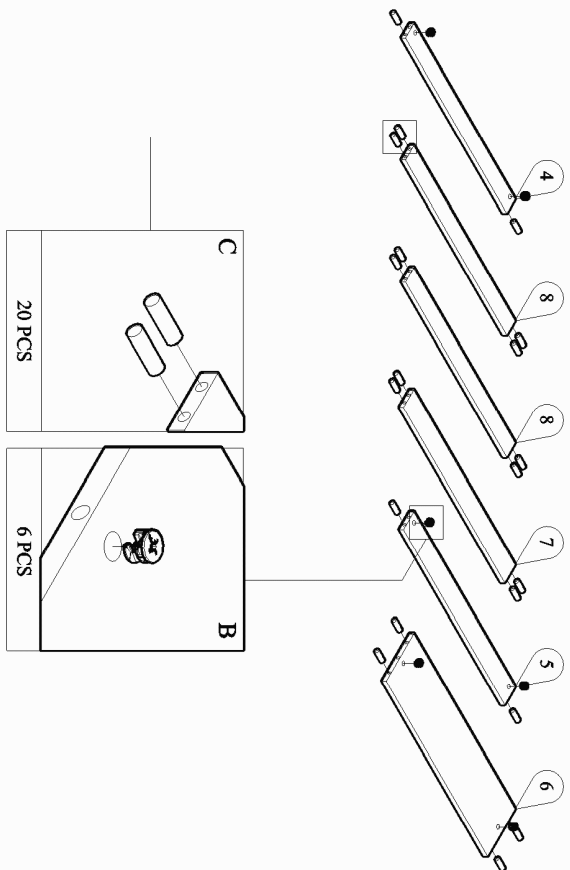
	ACCESSORIES	QUANTITY
A	MINI-FIX M5x24MM 8 PCS	8 PCS
B	MINI-FIX CASING 8 PCS	8 PCS
C	WOOD DOWEL M8x30MM 24 PCS	24 PCS
D	SCREW M3.5x16MM 12 PCS	12 PCS
E	SCREW M4x38MM 32 PCS	32 PCS
F	DRAWER SLIDE 14" SCREW M3.5x12MM 4 SETS 48 PCS	4 SETS 48 PCS
G	STUB SCREW M3x20MM (SV) 4 PCS	4 PCS
H	RECTANGLE LEG SCREW M3.5x16MM 4 PCS 8 PCS	4 PCS 8 PCS
I	PVC "H" RAIL 1 PC	1 PC
J	ALLEN KEY 1 PC	1 PC
K	L-BRACKET SCREW M3.5x16MM 1 PC 1 PC	1 PC 1 PC
L	WALL PLUG 1 PC	1 PC
M	SCREW M4x28MM 1 PC	1 PC

START ASSEMBLY

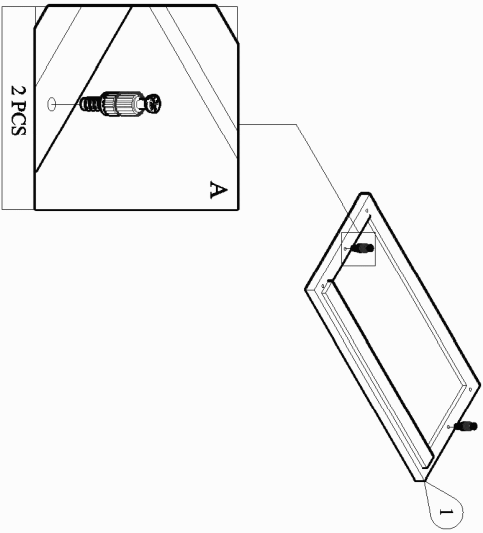
STEP 1



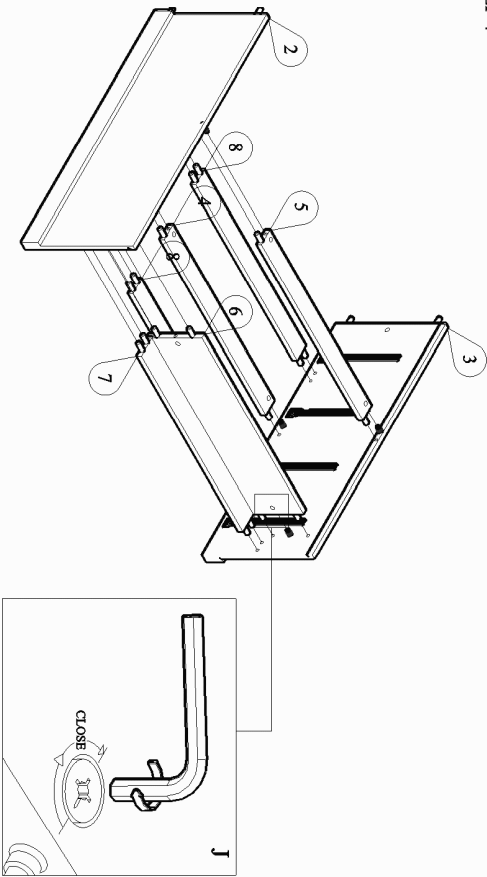
STEP 2



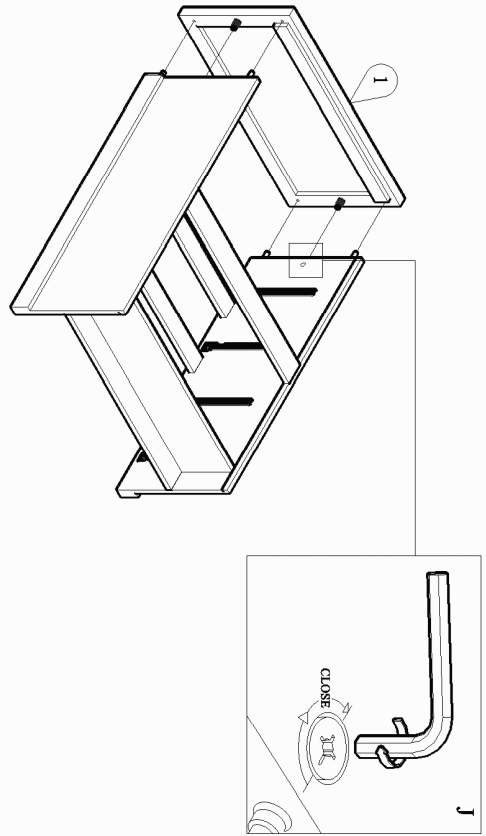
STEP 3



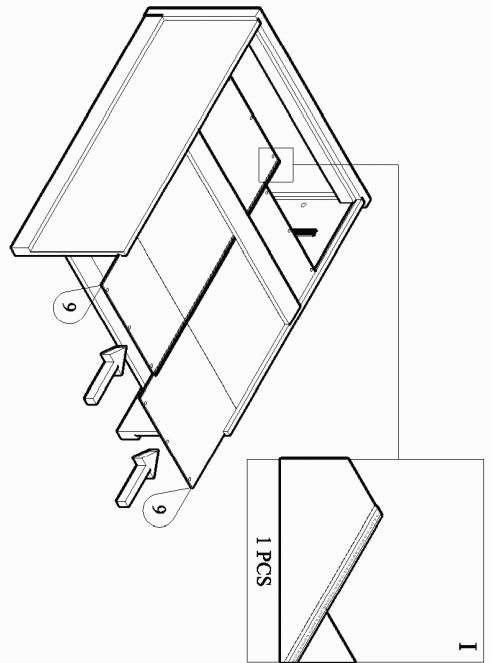
STEP 4



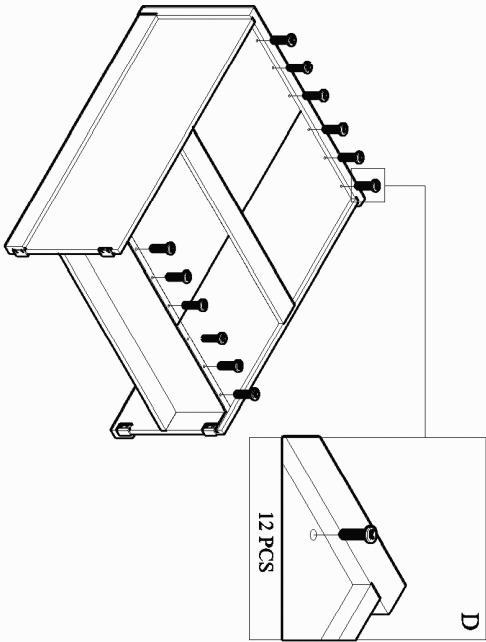
STEP 5



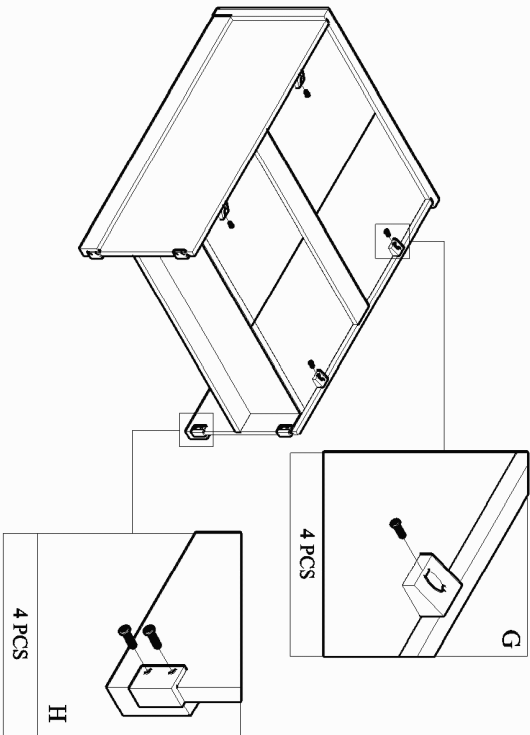
STEP 6



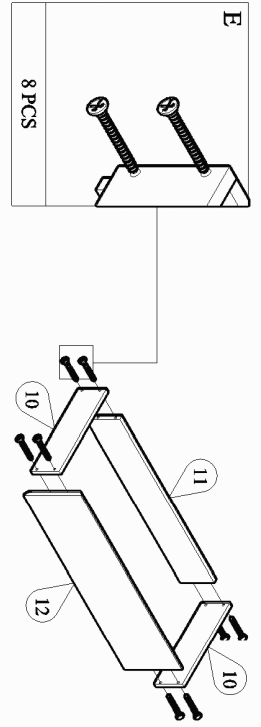
STEP 7



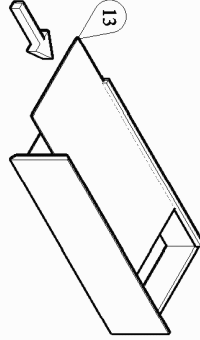
STEP 8



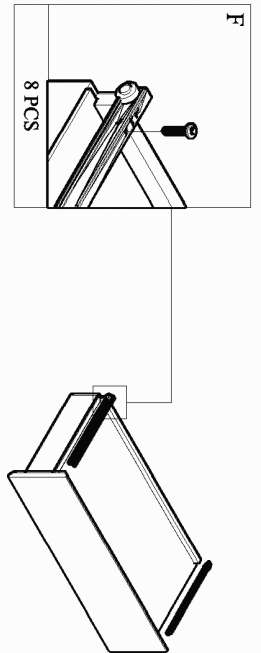
STEP 9



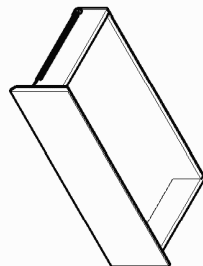
STEP 10



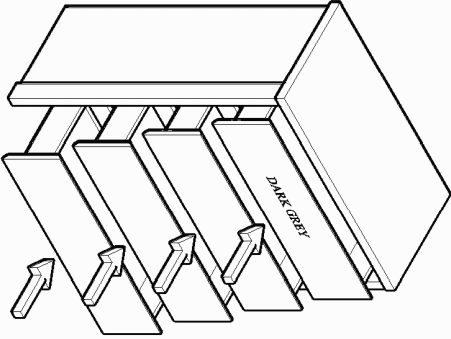
STEP 11



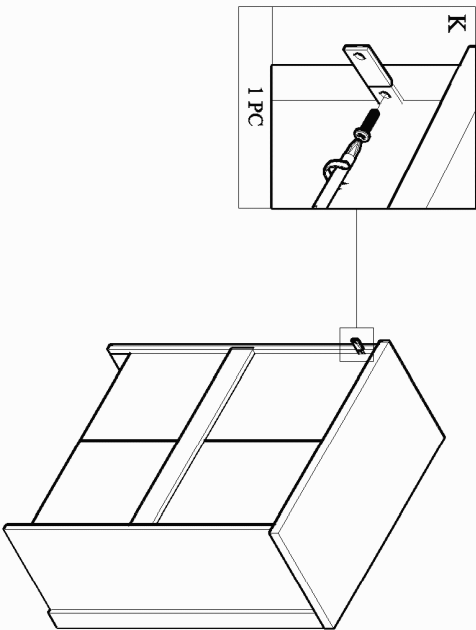
COMPLETED DRAWER (4 SET)



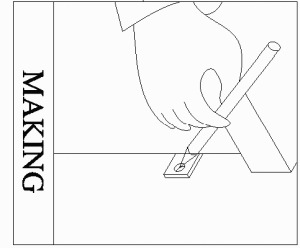
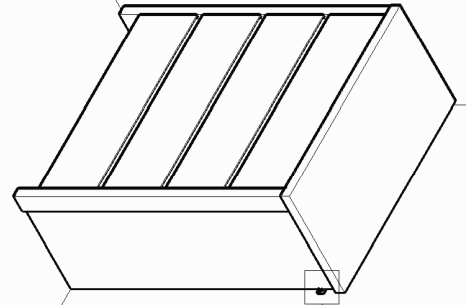
STEP 12



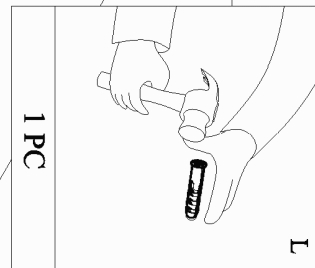
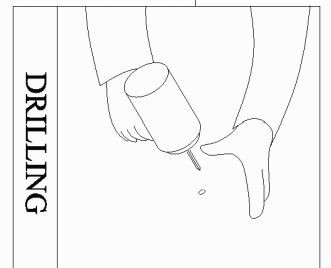
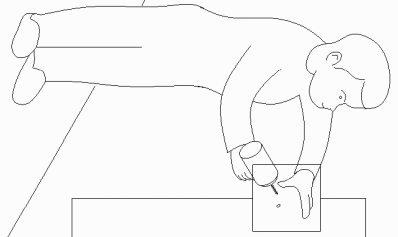
STEP 13



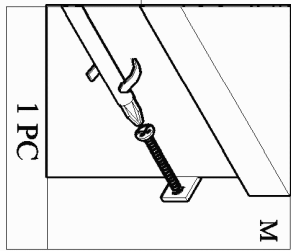
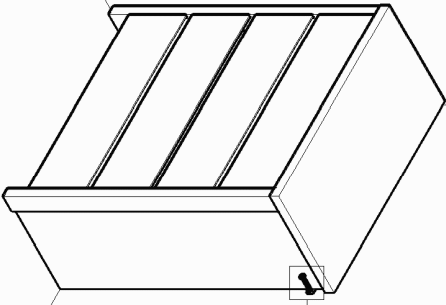
STEP 14



STEP 15



STEP 16



COMPLETED

