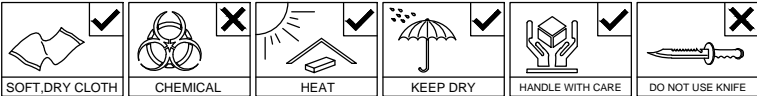


Assembly Instruction

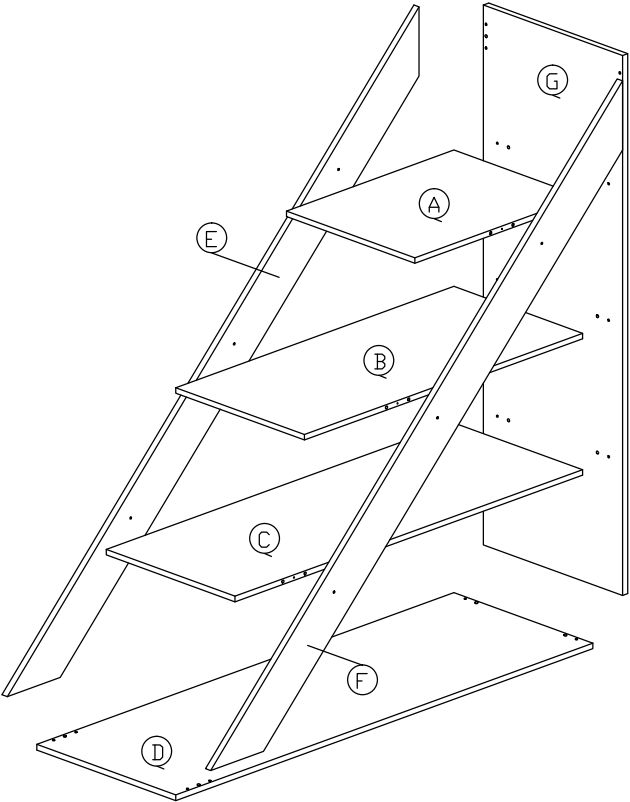


Model : IS - 2

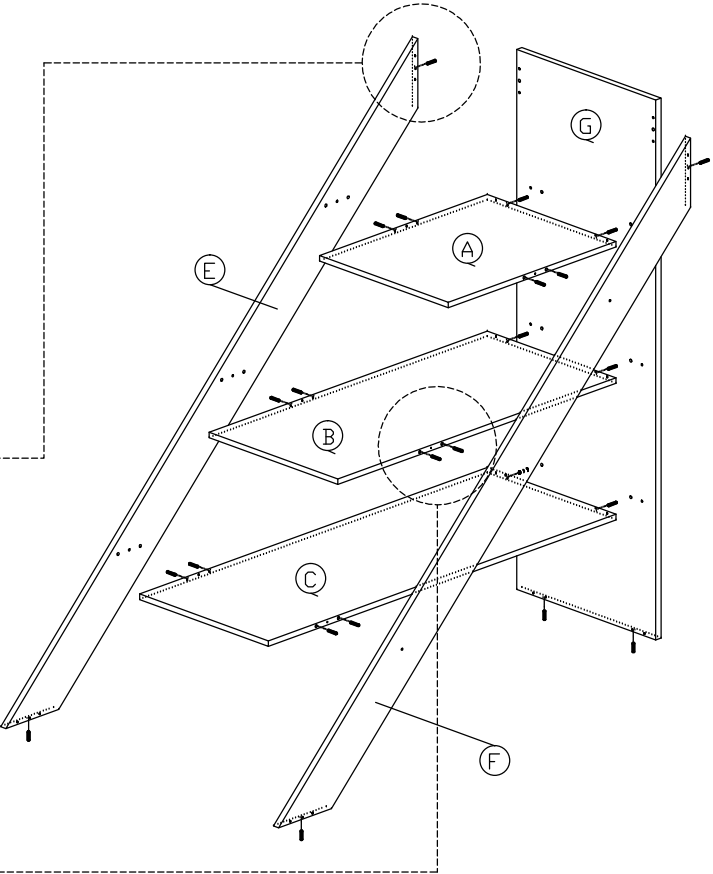
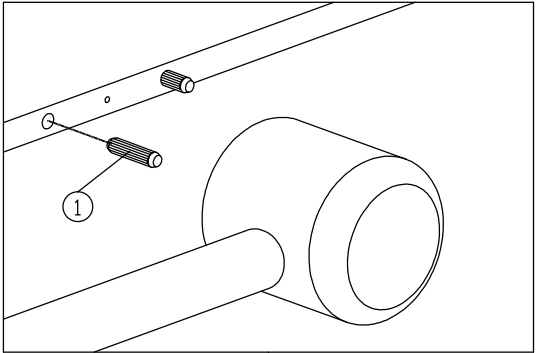
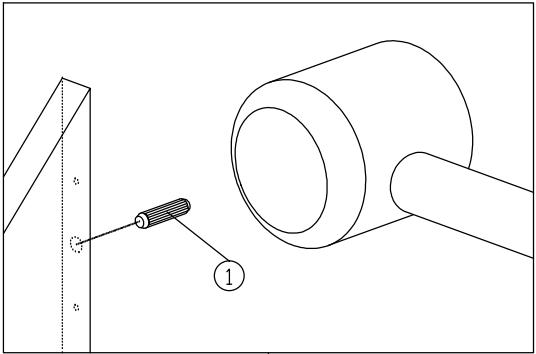


1	2	3	4	5
1X24	1X6	1X22	1X6	1X16

PART LIST



Step 1



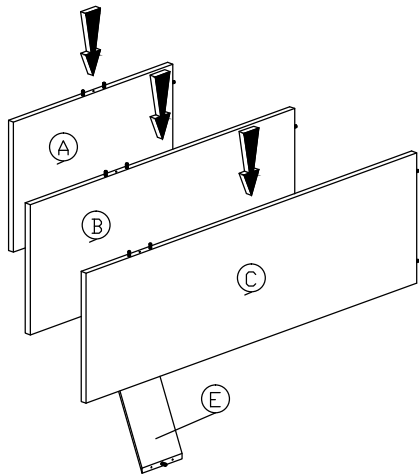
Assembly Instruction



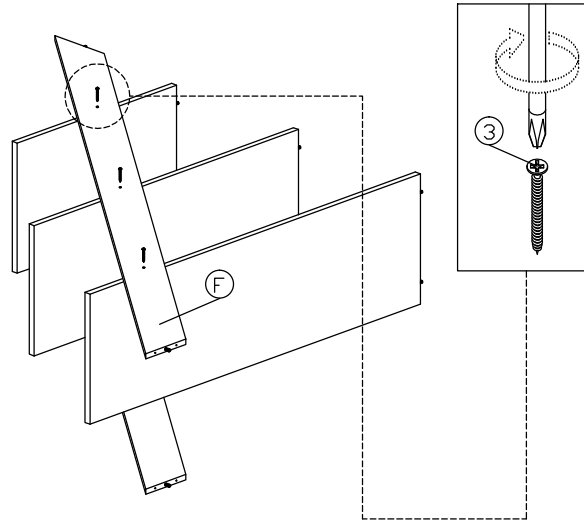
Model : IS - 2



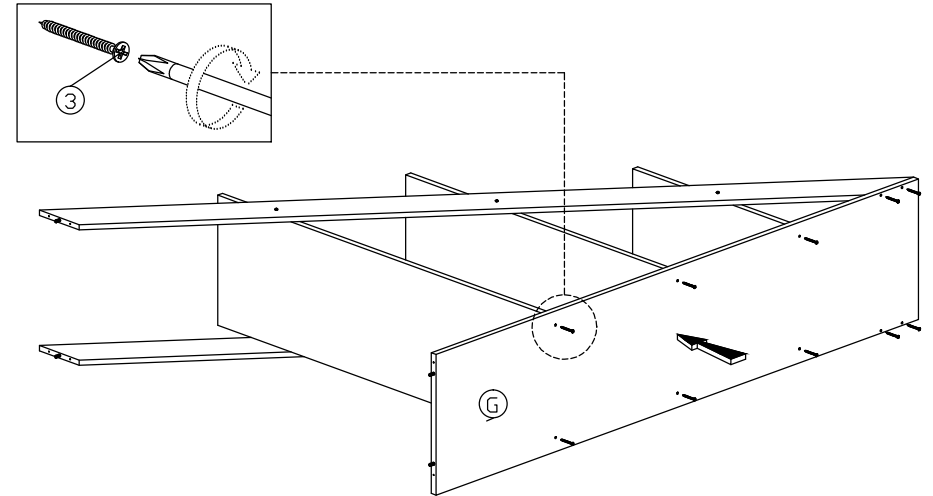
Step 2



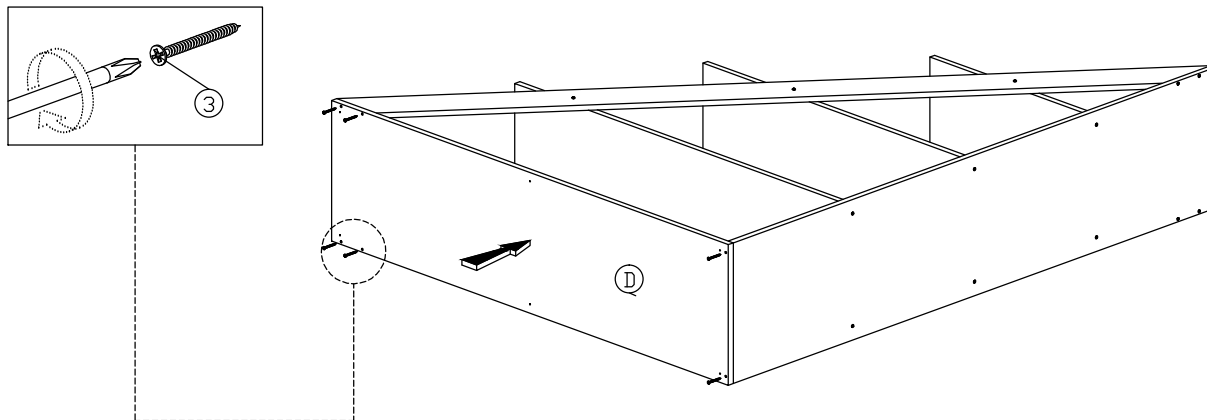
Step 3



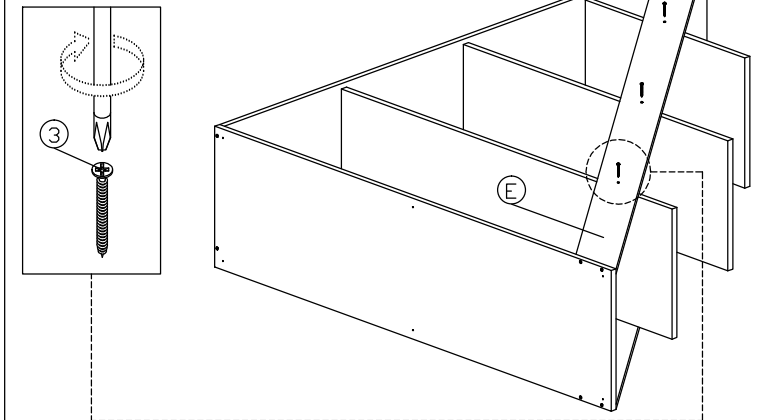
Step 4



Step 5



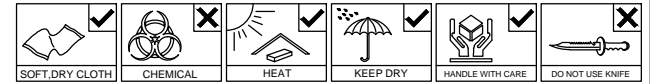
Step 6



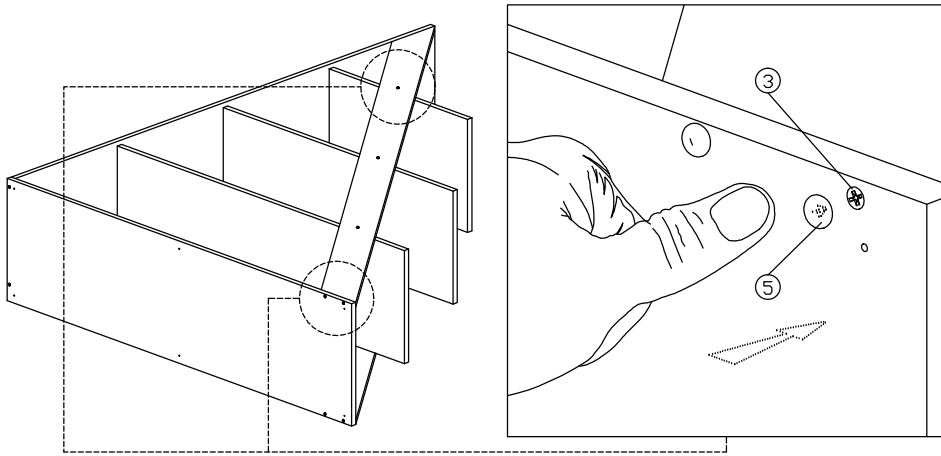
Assembly Instruction



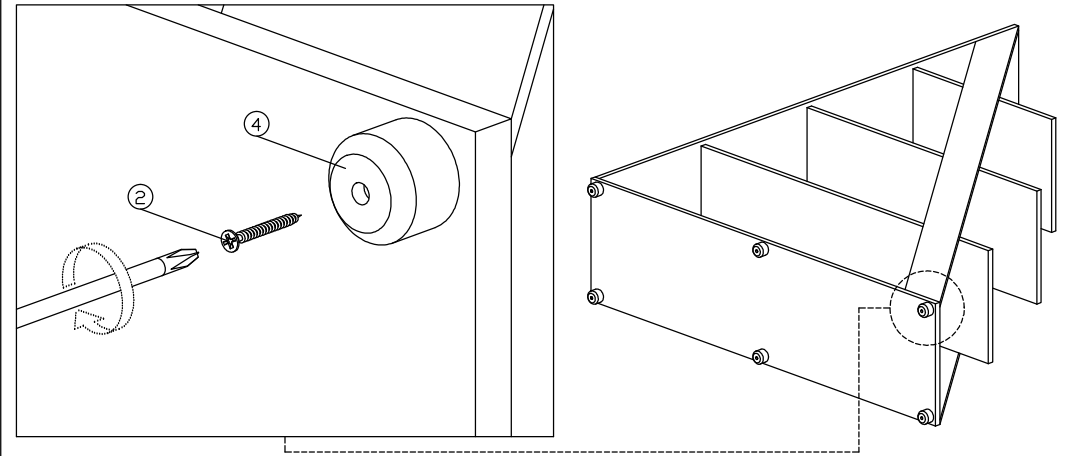
Model : IS - 2



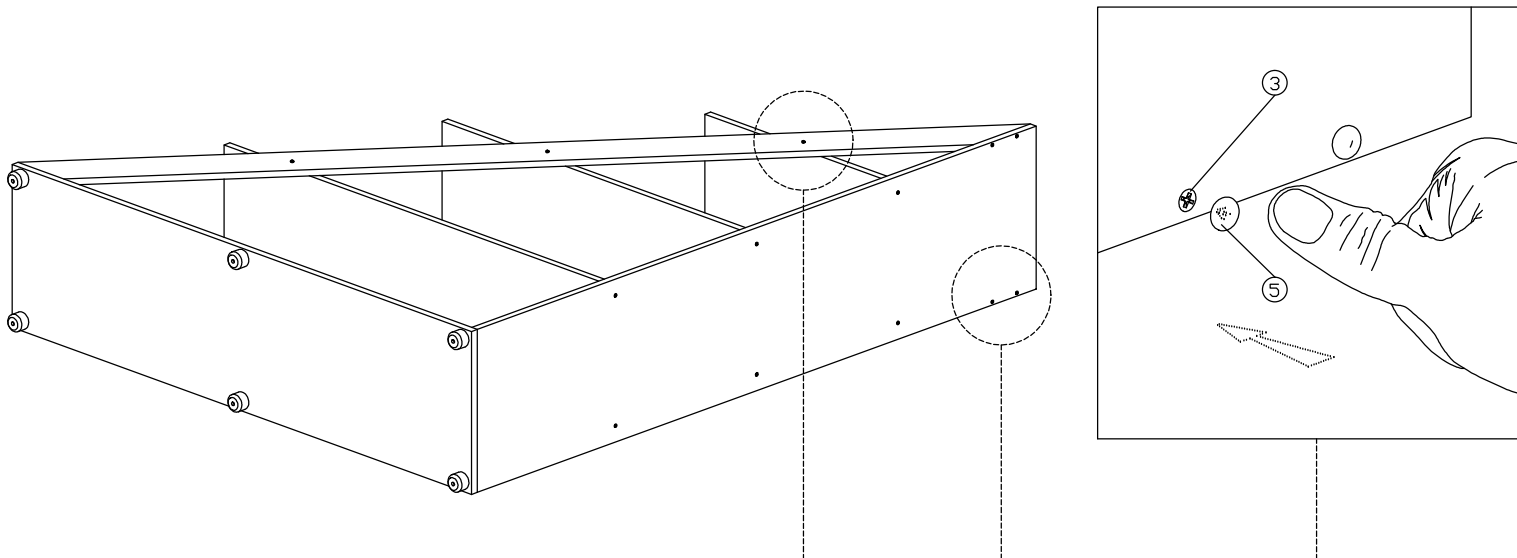
Step 7



Step 8



Step 9



Complete

