

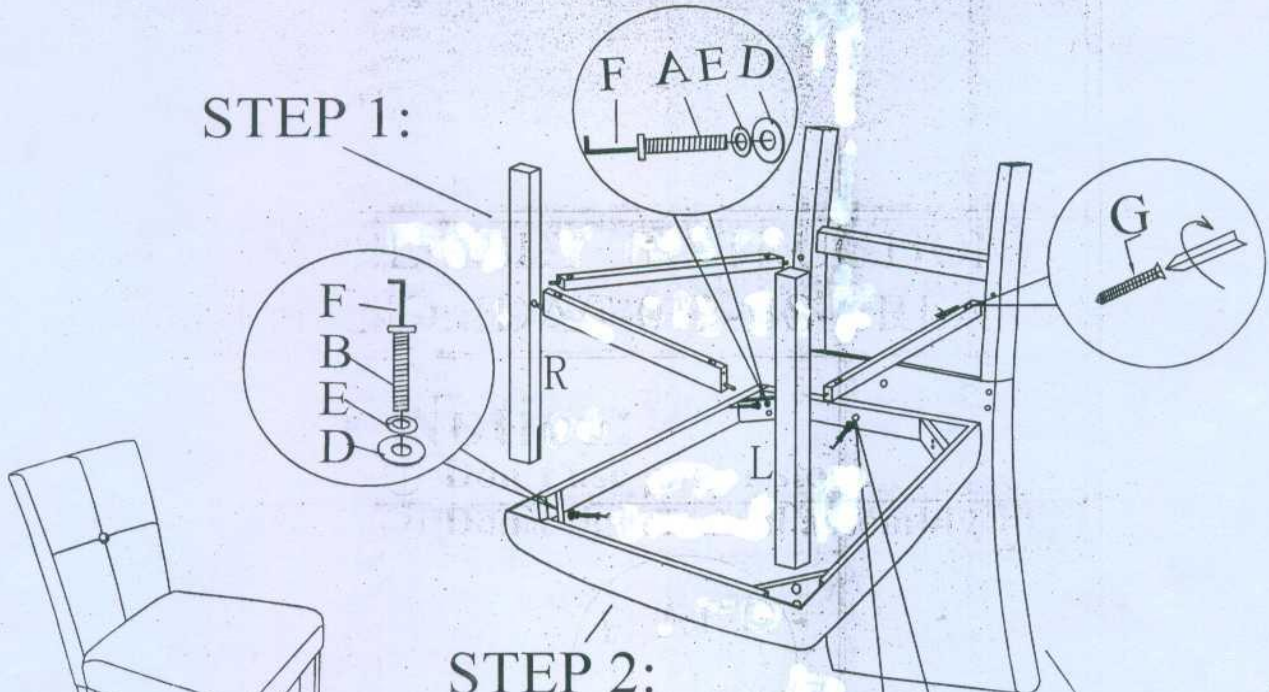
ASSEMBLY INSTRUCTION

Item NO.:IDAC-012-BS-CREAM

! Notice:

- ① Don't use power stool.
- ② Don't tighten until assembly all.

STEP 1:

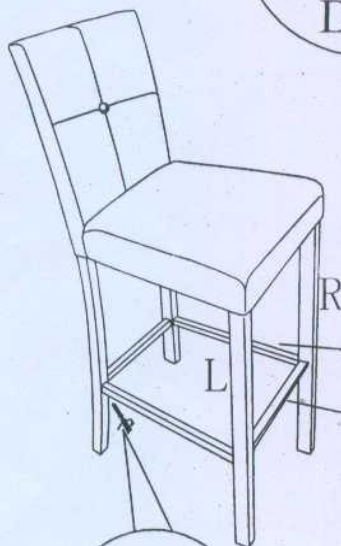


STEP 2:

STEP 4:

STEP 5:

STEP 3:



Assembly loosing finger tighten,
Do not tighten until assembly all legs.

PARTS LIST

HARDWARE LIST

PARTS LIST				HARDWARE LIST				
1	R		Leg	2pcs	A		Bolt(Ø1/4"*3-1/2" L)	4pcs
	L				B		Bolt(Ø1/4"*2-1/4" L)	4pcs
2			Seat Frame	1pc	C		Bolt(Ø1/4"*1-3/4" L)	1pc
3			Chair Back	1pc	D		Washer(Ø1/4"*19mm)	9pcs
4			Side connector	2pcs	E		Lock Washer(Ø1/4")	9pcs
					F		Allen Wrench	1pc
5			Front connector	1pc	G		Wood Screw#8*1-1/2	6pcs

MADE IN CHINA