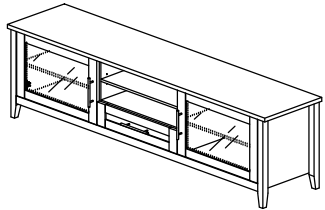


Assembly Instruction

Model : I - 1506

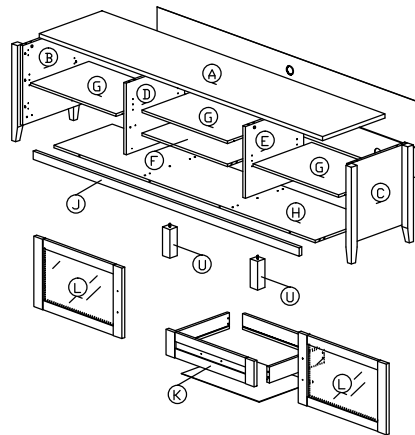


Hardware List

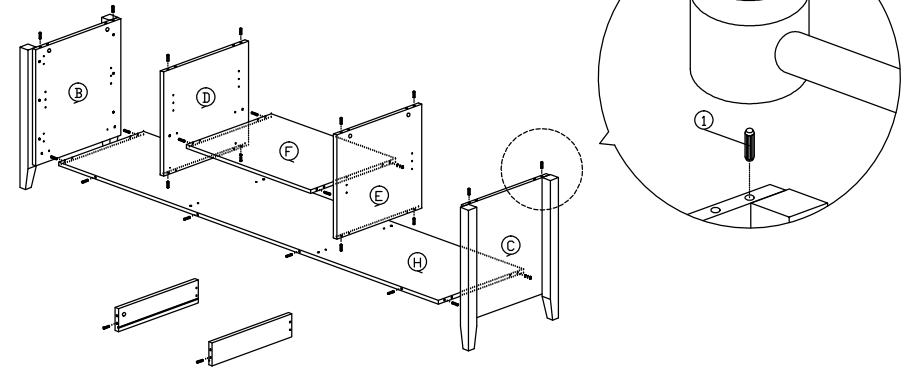
| No. | SHAPE | DESCRIPTION | Qty. |
|-----|-------|---------------------|--------|
| 1 | | 8x25mm Wood Dowel | 26Pcs |
| 2 | | 15MM Titus Mini Fix | 18Sets |

| | | | |
|----|--|----------------------------------------------|-------|
| 3 | | M3.5x15mm Screw | 12Pcs |
| 4 | | TP 10#x1/2" Screw | 16Pcs |
| 5 | | M4x38mm Screw | 4Pcs |
| 6 | | M5x38mm Screw | 4Pcs |
| 7 | | Nail | 49Pcs |
| 8 | | L Bracket | 4Pcs |
| 9 | | Nail Leg | 4Pcs |
| 10 | | Shelf Support | 12Pcs |
| 11 | | 15mm Minifix Cap | 10Pcs |
| 12 | | Drawer Slide 14" (350mm) | 1Set |
| 13 | | Hinges (F 011) | 4Sets |
| 14 | | Bar Handle (128mm) M3.6x18mm Handle Screw | 1Set |
| 15 | | Bar Handle (128mm) M3.6x35mm Handle Screw | 2Sets |
| 16 | | Adjust Screw | 2Pcs |
| 17 | | M5x8mm Screw (Euro Screw) | 4Pcs |

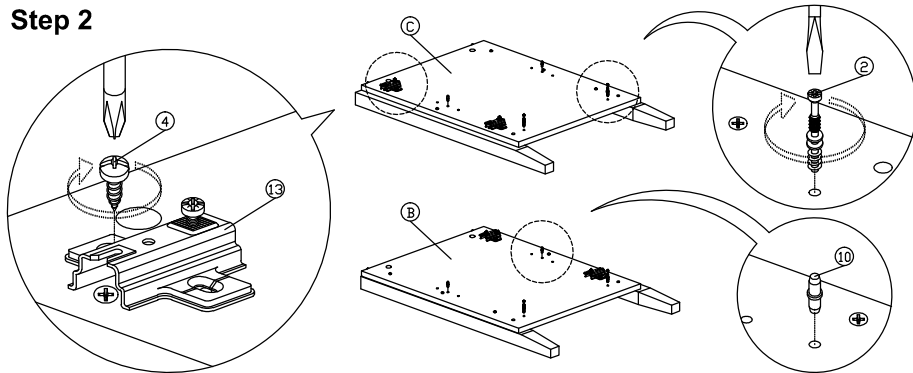
Part List



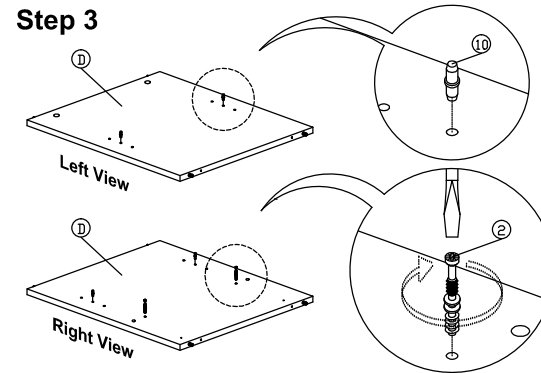
Step 1



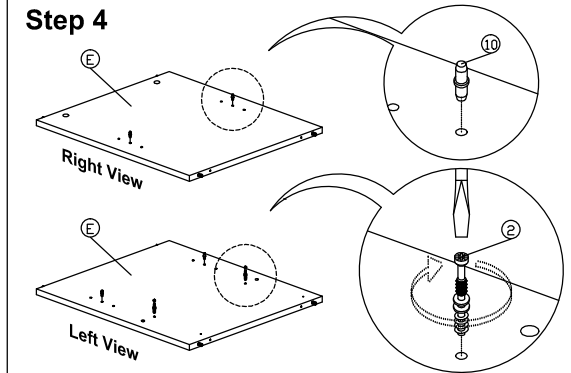
Step 2



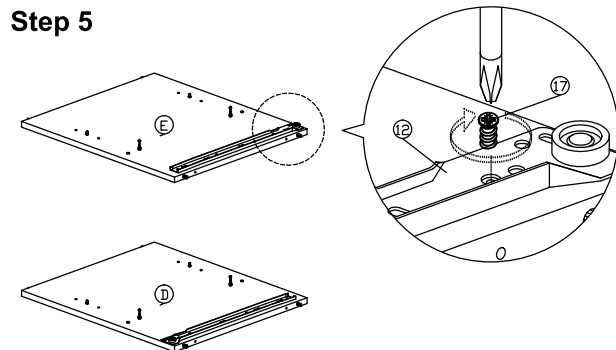
Step 3



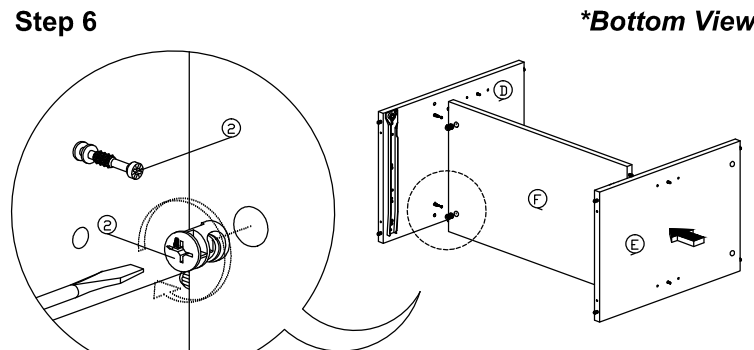
Step 4



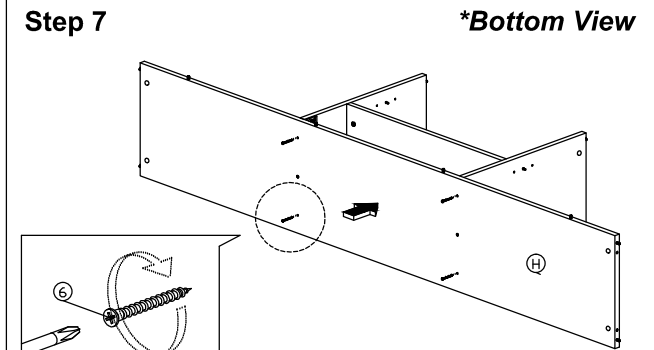
Step 5



Step 6

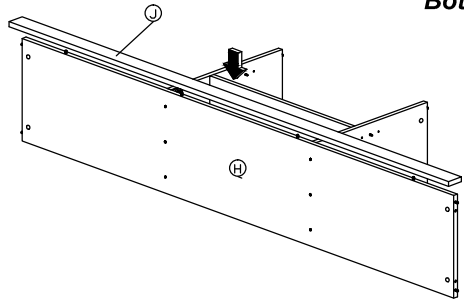


Step 7



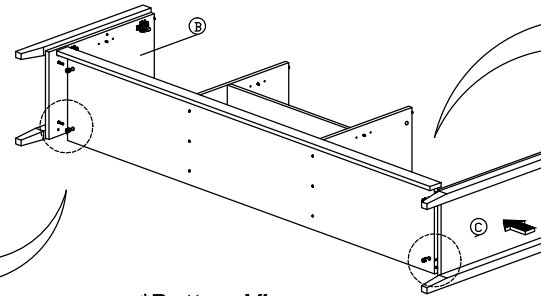
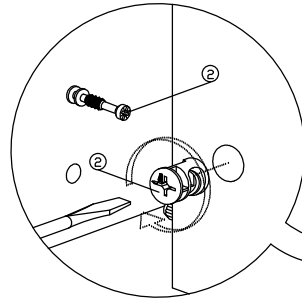
Assembly Instruction

Step 8

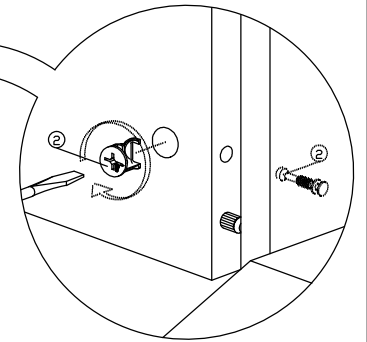


**Bottom View*

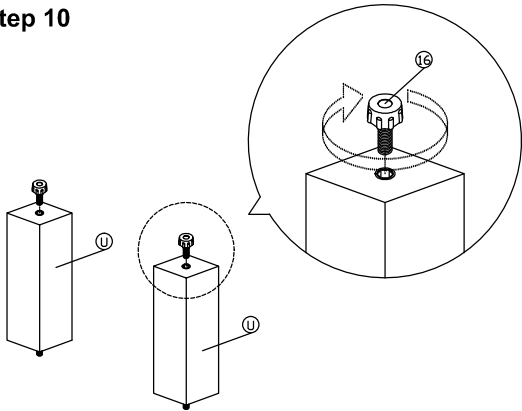
Step 9



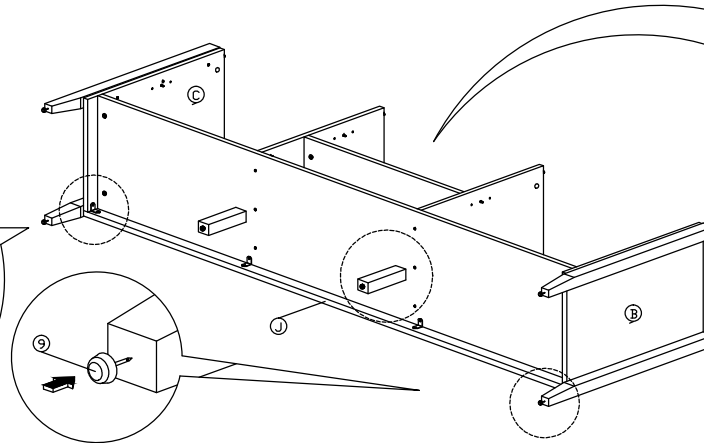
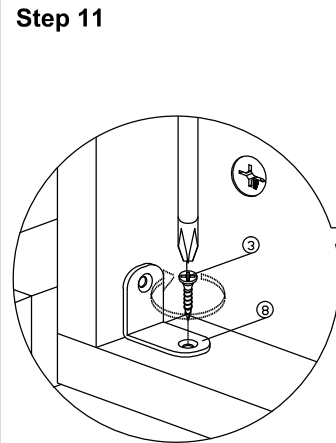
**Bottom View*



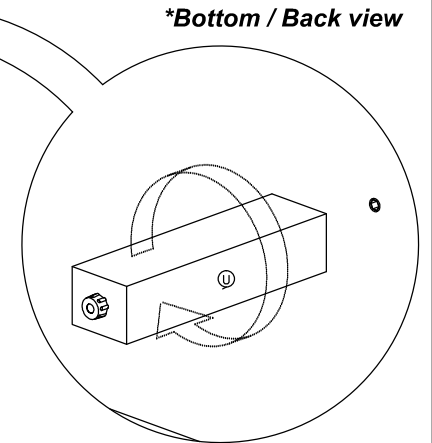
Step 10



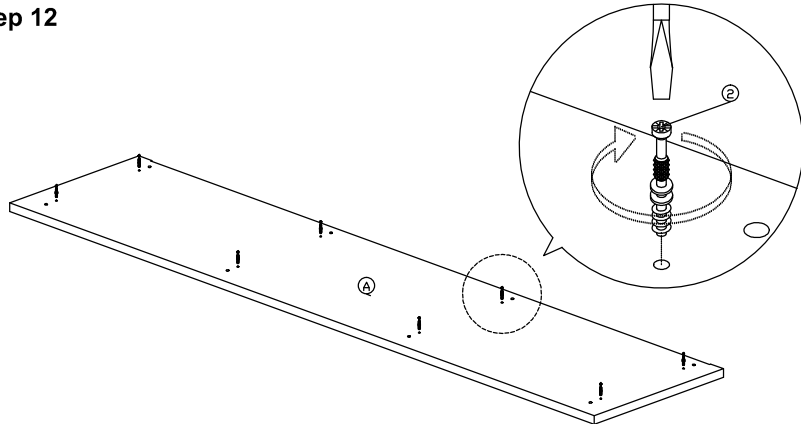
Step 11



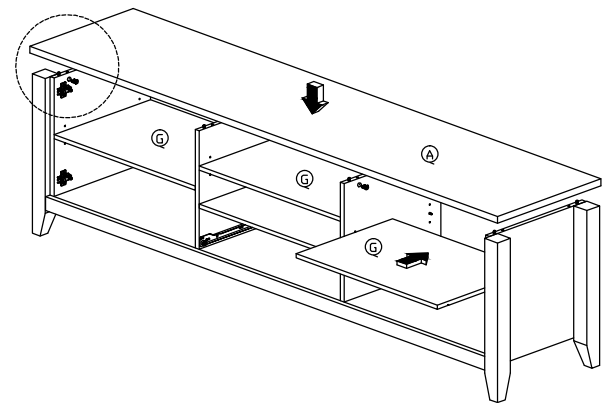
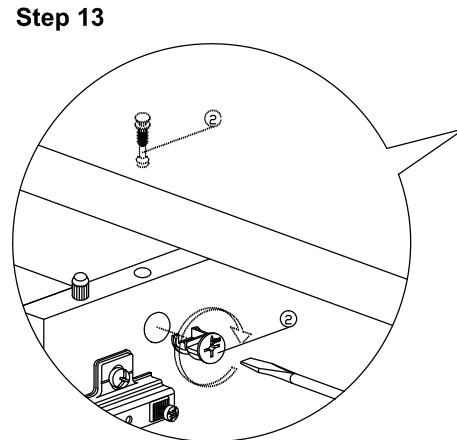
**Bottom / Back view*



Step 12



Step 13



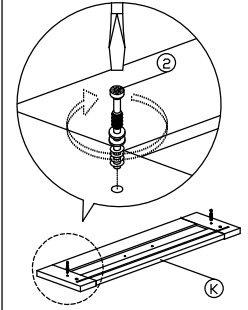
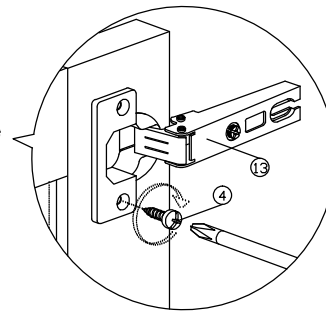
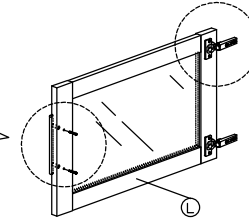
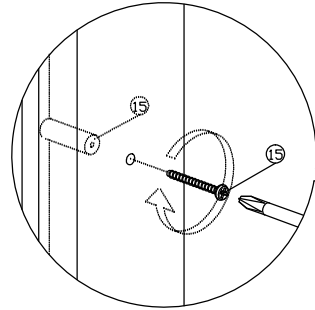
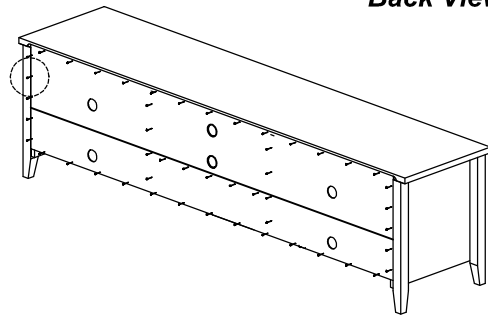
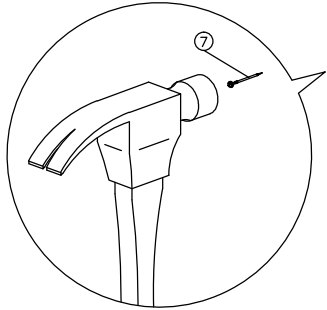
Assembly Instruction

Step 14

**Back View*

Step 15

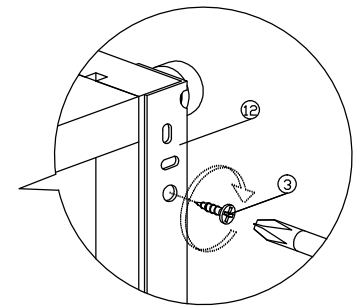
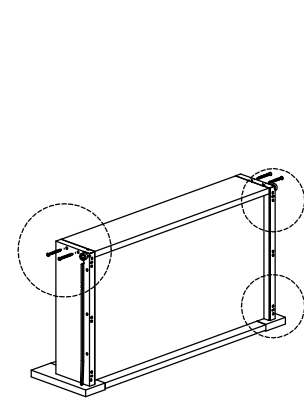
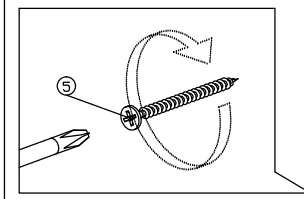
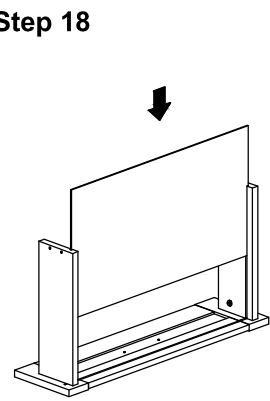
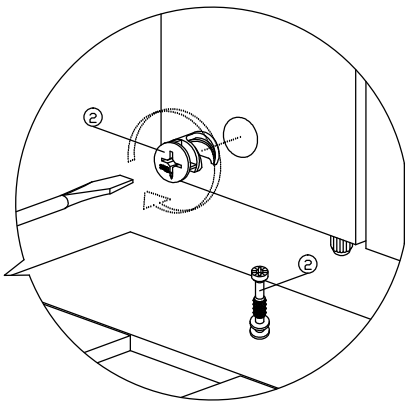
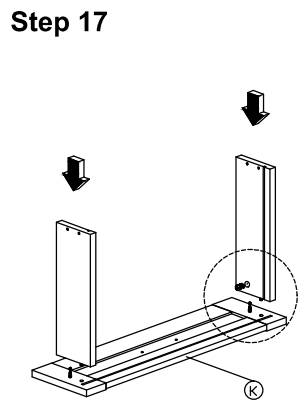
Step 16



Step 17

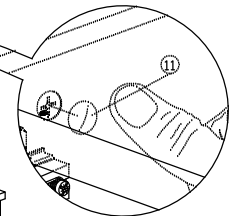
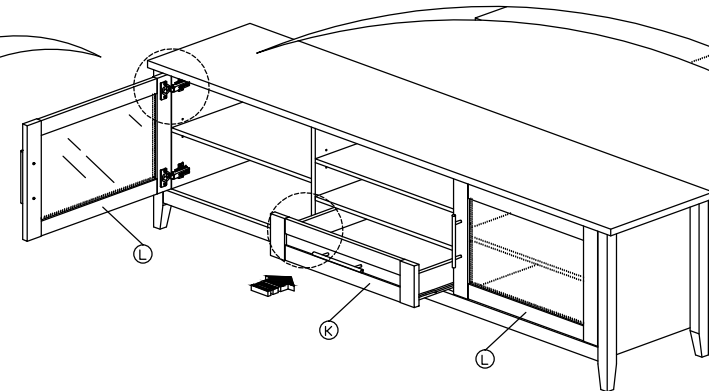
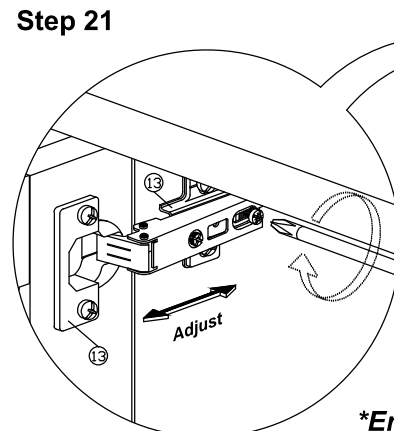
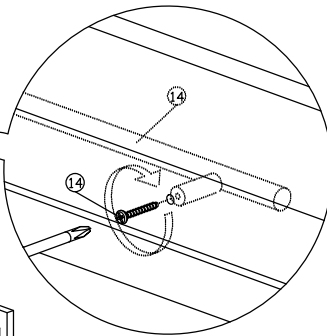
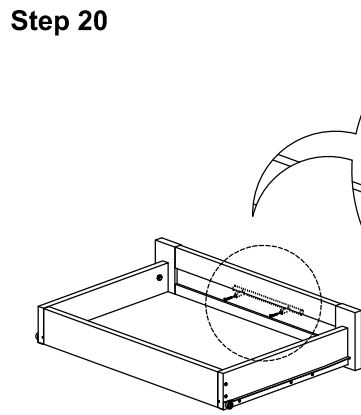
Step 18

Step 19



Step 20

Step 21



**Ensure to fix all minifix cap below on top panel & drawer side panel.*