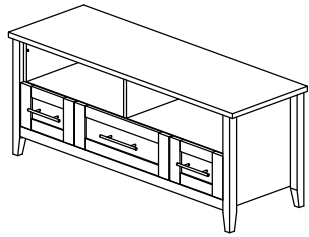
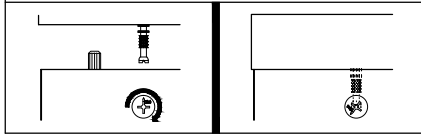


# Assembly Instruction

Model : I - 1504



### Dowel / Cam - Lock Installation

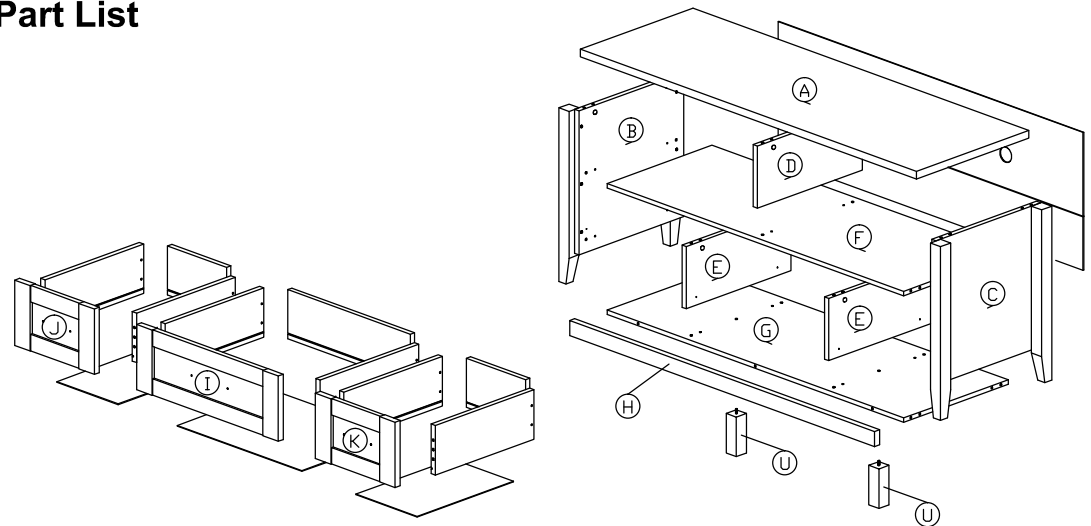


### Hardware List

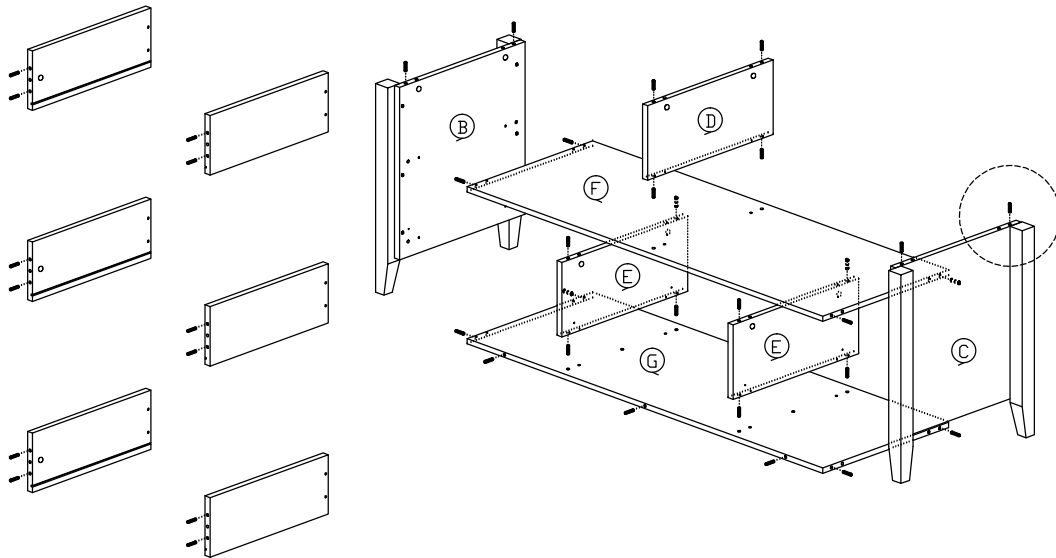
No.	SHAPE	DESCRIPTION	Qty.
-----	-------	-------------	------

1		8x25mm Wood Dowel	39Pcs
2		15MM Titus Mini Fix	24Sets
3		M5x8mm Screw (Euro Screw)	12Pcs
4		M3.5x15mm Screw	20Pcs
5		M4x38mm Screw	12Pcs
6		M5x38mm Screw	6Pcs
7		Nail	34Pcs
8		L Bracket	4Pcs
9		Nail Leg	4Pcs
10		15mm Minifix Cap	6Pcs
11		Drawer Slide = 350mm	3Sets
12		Bar Handle (128mm) M3.6x18mm Handle Screw	1Set
13		Bar Handle (96mm) M3.6x18mm Handle Screw	2Sets
14		Adjust Screw	2Pcs

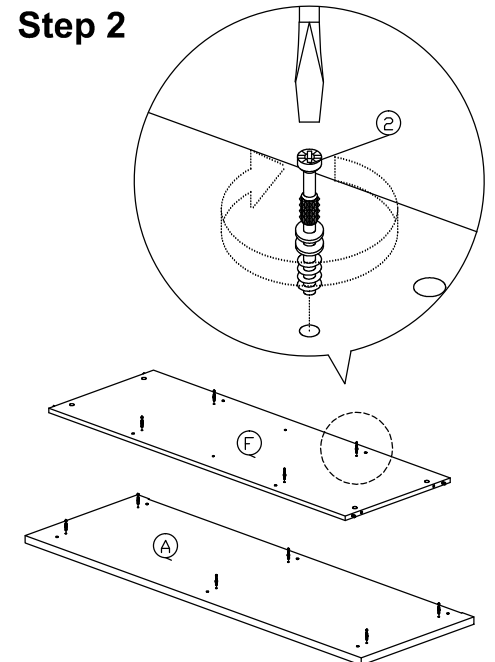
### Part List



### Step 1

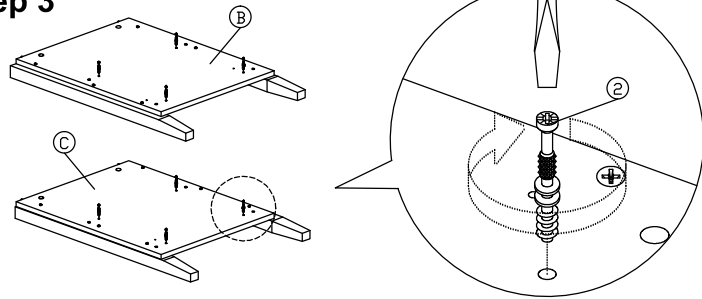


### Step 2

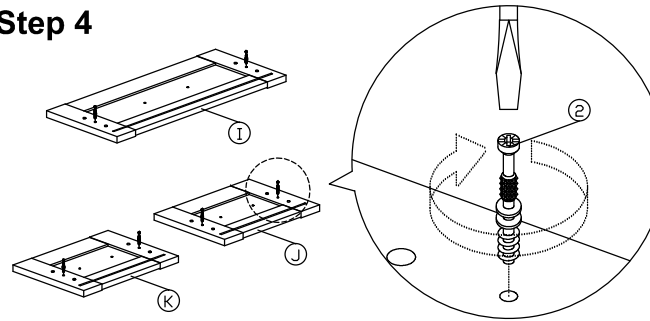


# Assembly Instruction

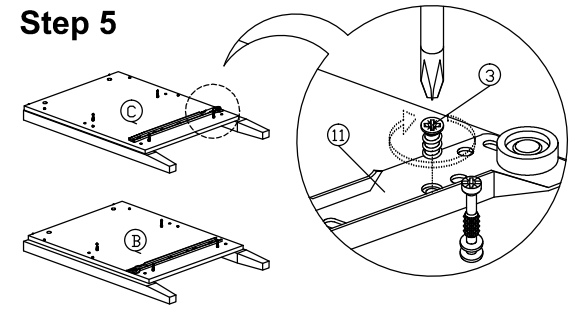
Step 3



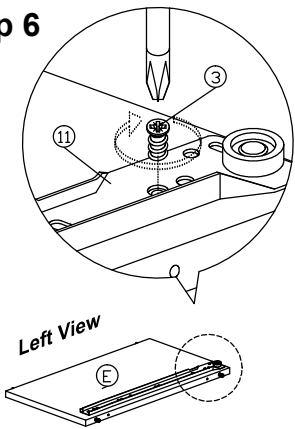
Step 4



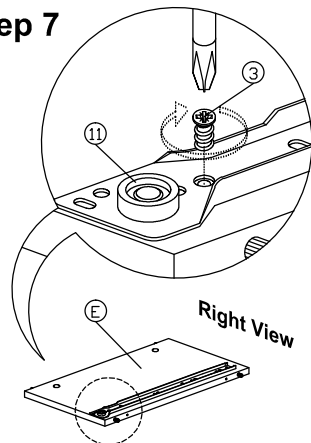
Step 5



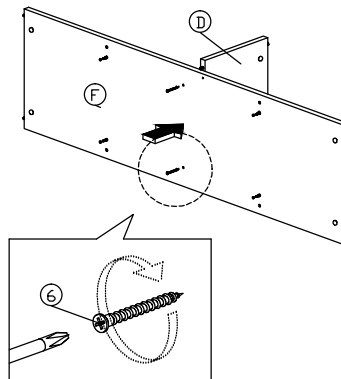
Step 6



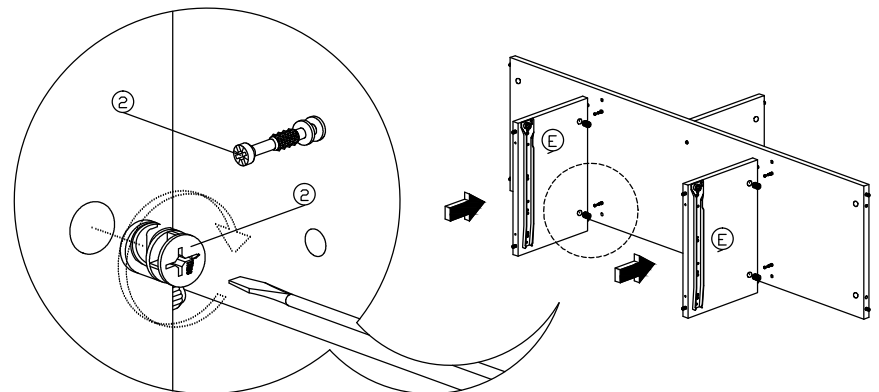
Step 7



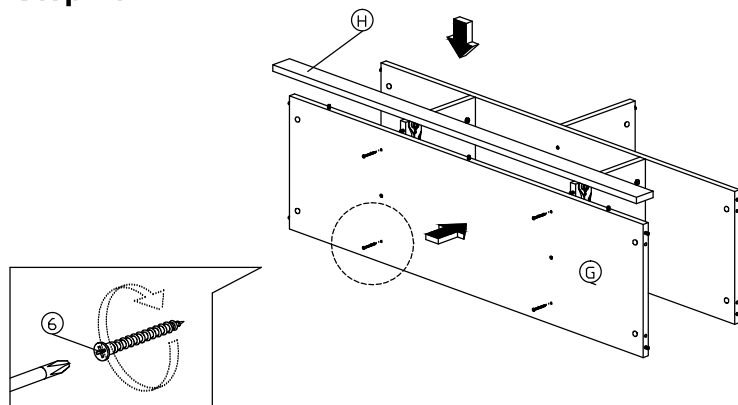
Step 8



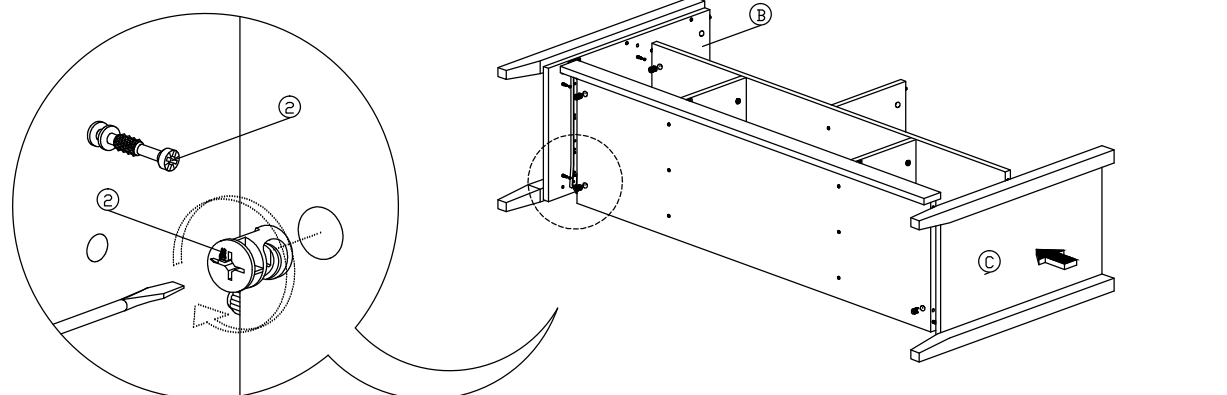
Step 9



Step 10



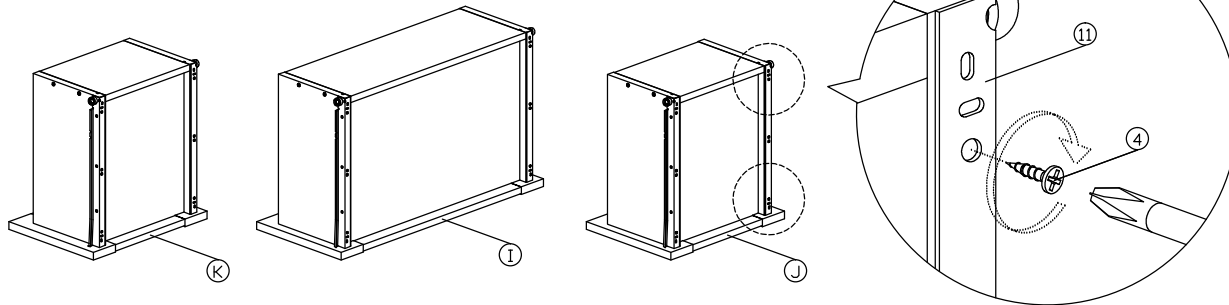
Step 11



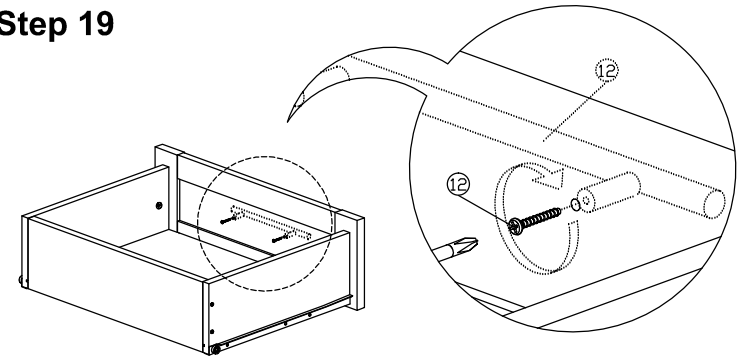


# Assembly Instruction

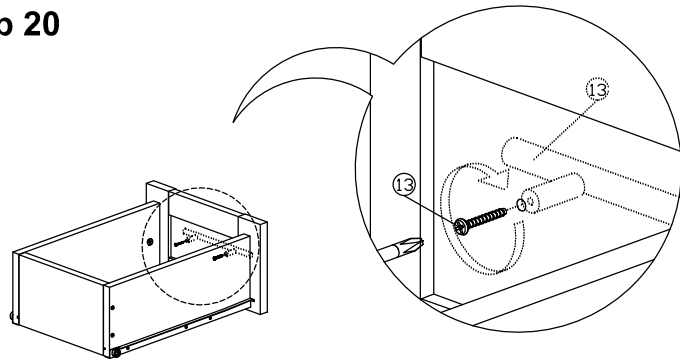
Step 18



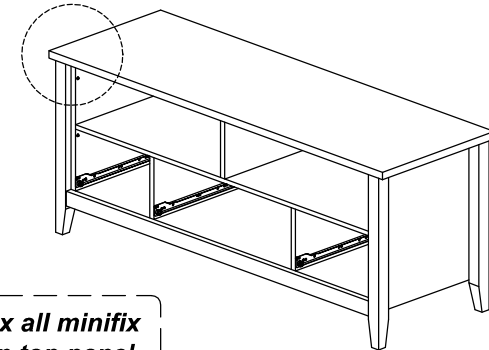
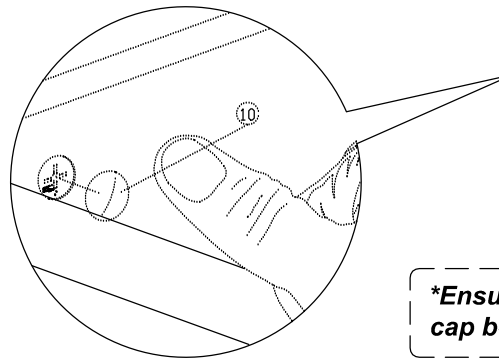
Step 19



Step 20

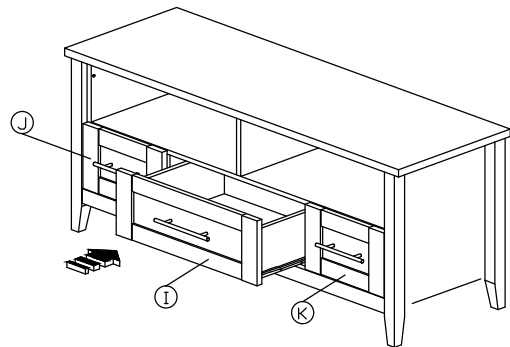


Step 21



*\*Ensure to fix all minifix cap below on top panel.*

Step 22



Complete

