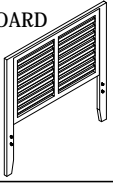
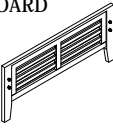
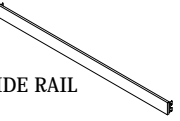
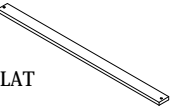
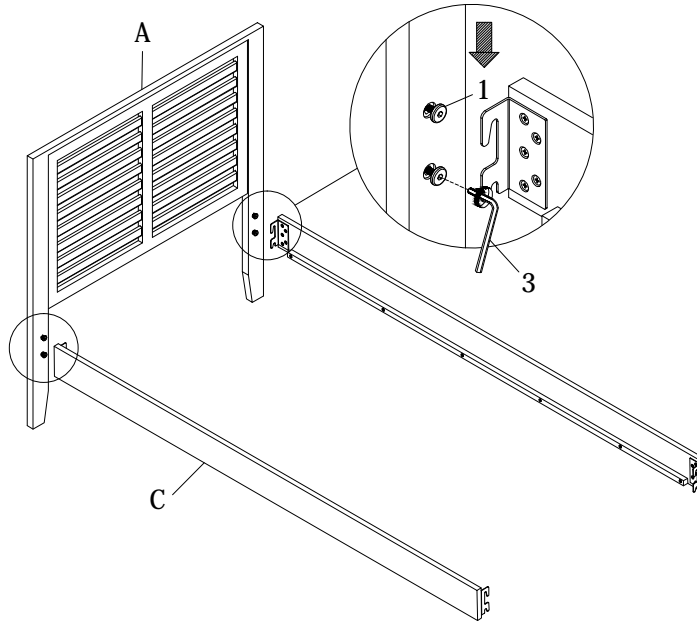


ASSEMBLY INSTRUCTION

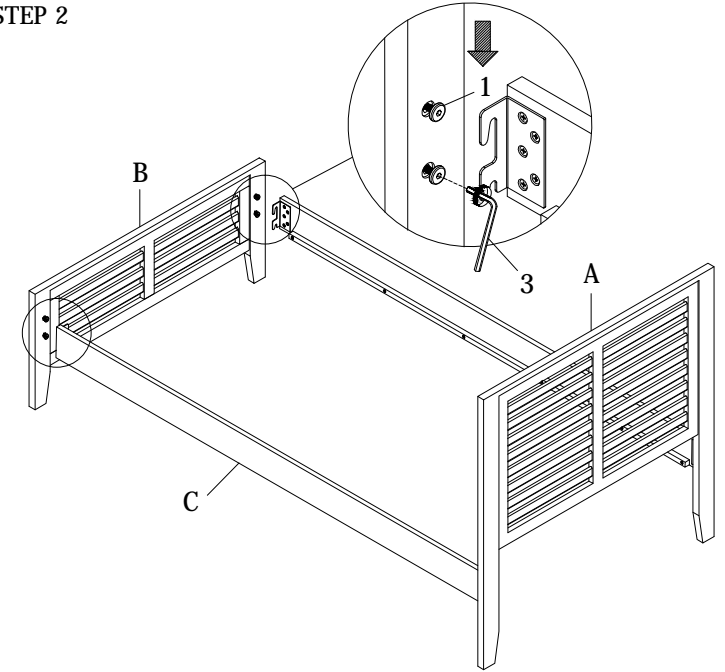
MODEL : HT 1704

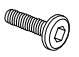


| NO. | PART LIST | QTY |
|-----|--|-------|
| A | HEADBOARD  | 1PC |
| B | FOOTBOARD  | 1PC |
| C | SIDE RAIL  | 2PCS |
| D | SLAT  | 12PCS |

STEP 1

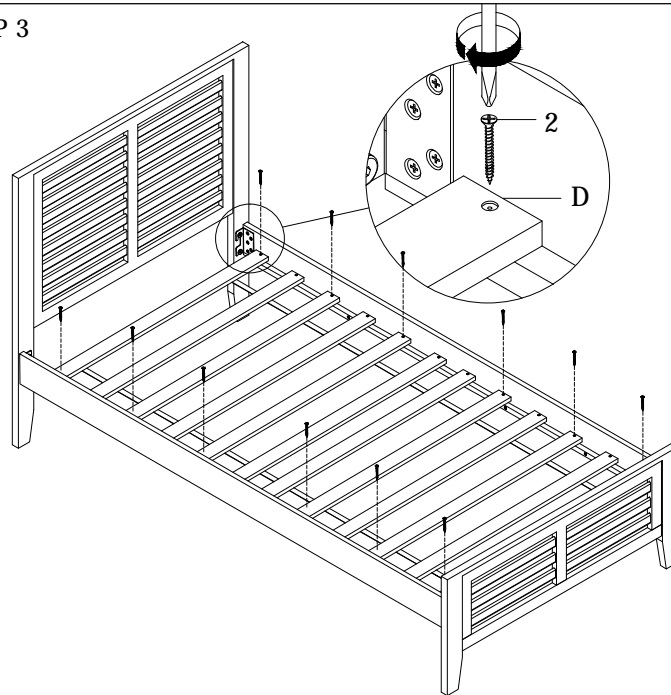


STEP 2



| NO. | HARDWARE LIST | QTY |
|-----|--|-------|
| 1 | JCBB M8 x 16mm  | 8PCS |
| 2 | CSK M4 x 25mm  | 12PCS |
| 3 | ALLEN KEY M5  | 1PC |

STEP 3



ASSEMBLY COMPLETED

