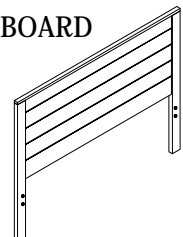
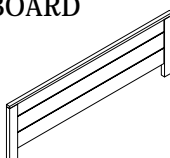
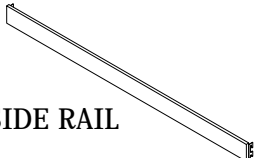
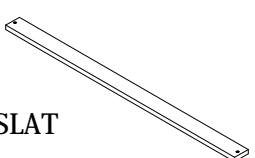
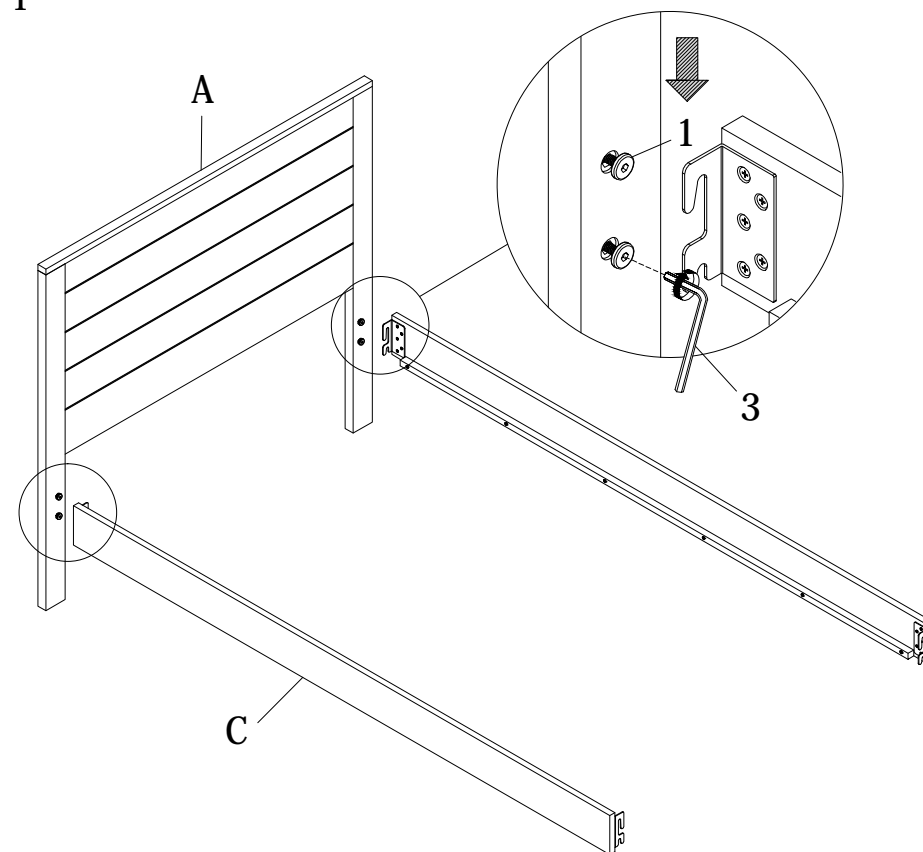


ASSEMBLY INSTRUCTION

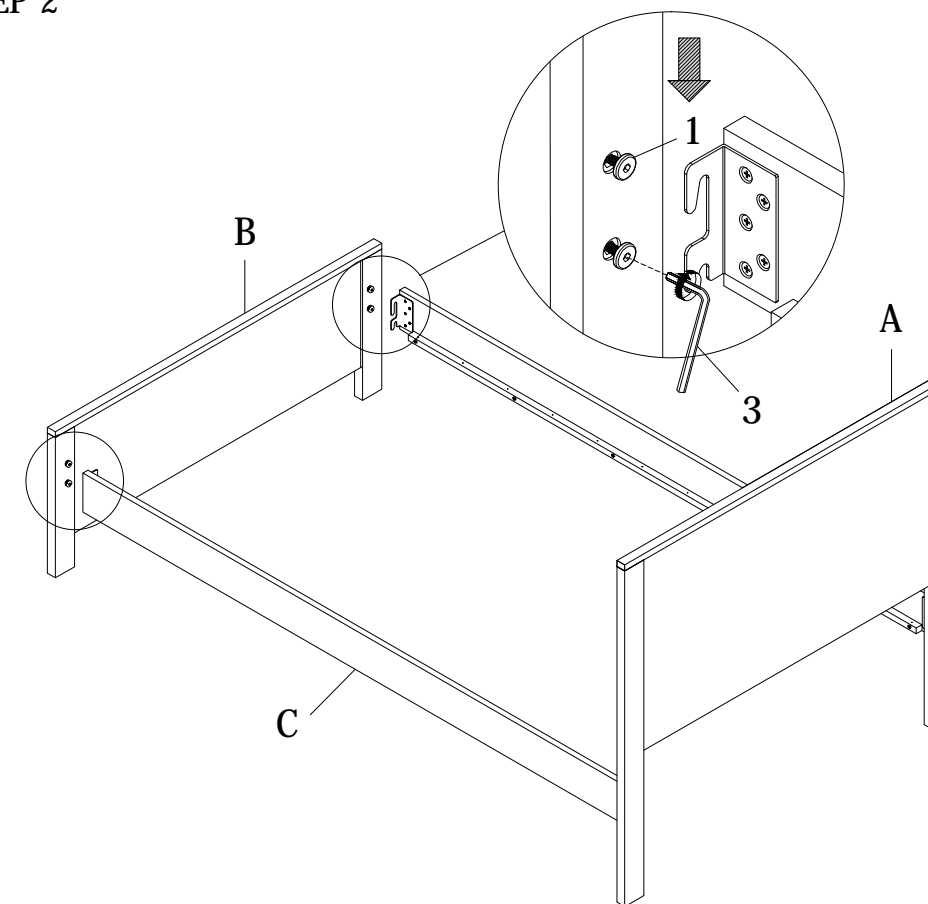
MODEL : HT 1702

NO.	PART LIST	QTY
A	HEADBOARD 	1PC
B	FOOTBOARD 	1PC
C	SIDE RAIL 	2PCS
D	SLAT 	12PCS

STEP 1

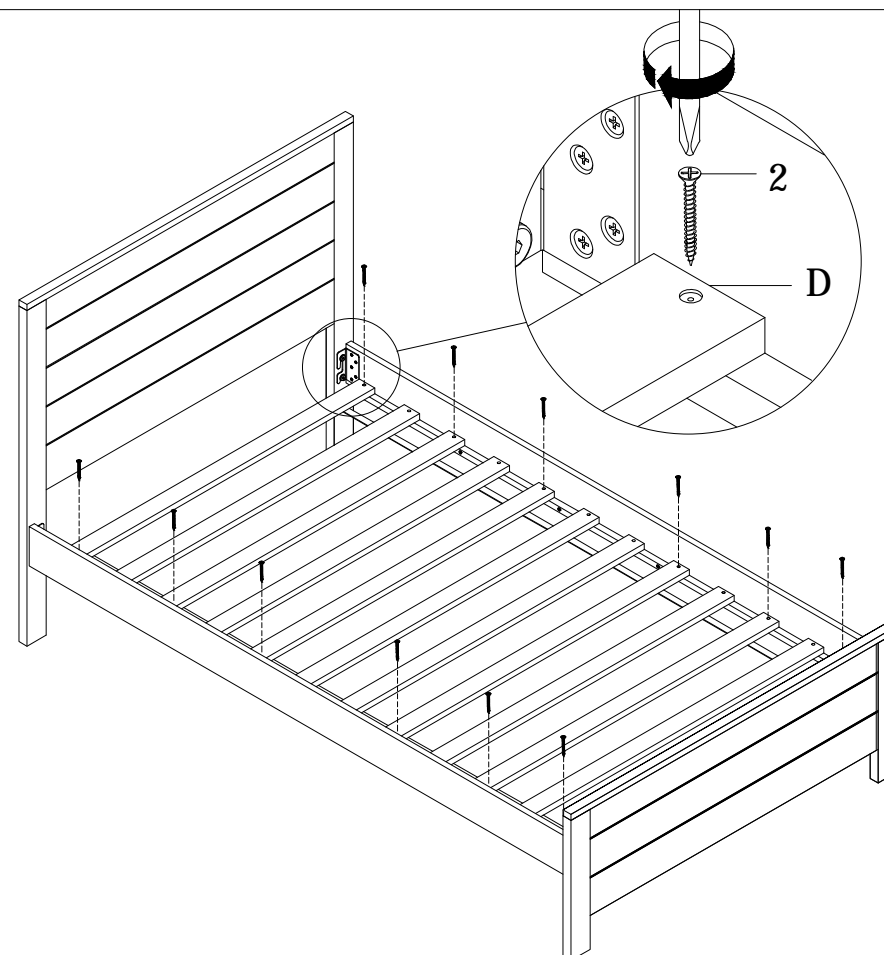


STEP 2



NO.	HARDWARE LIST	QTY
1	JCBB M8 x 16mm 	8PCS
2	CSK M4 x 25mm 	12PCS
3	ALLEN KEY M5 	1PC

STEP 3



ASSEMBLY COMPLETED

