

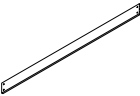
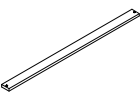
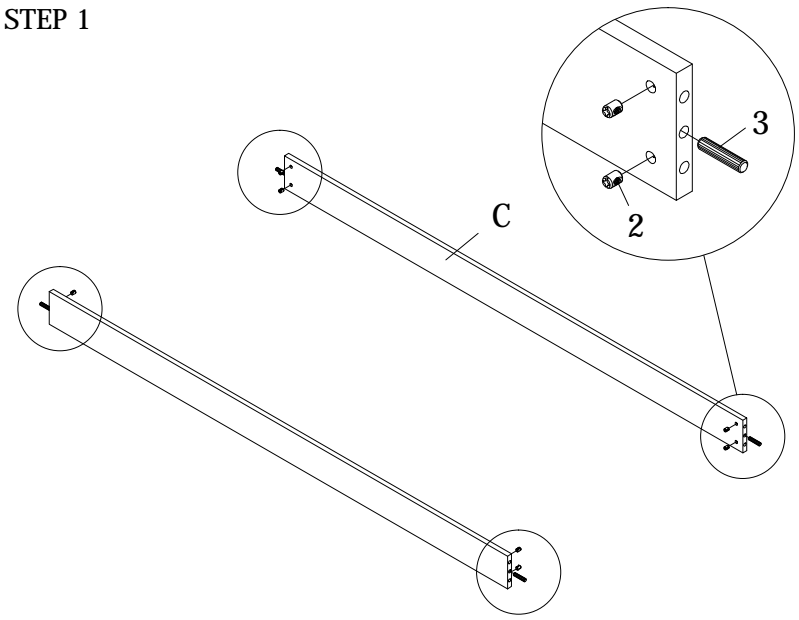


ASSEMBLY INSTRUCTION

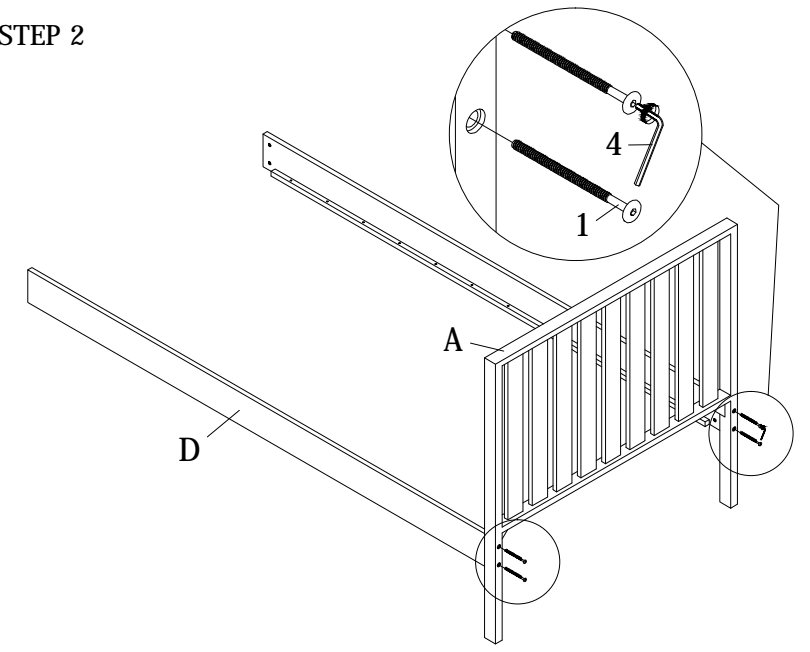
MODEL : HT1701



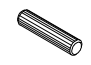


NO.	PART LIST	QTY
A	HEADBOARD 	1PC
B	FOOTBOARD 	1PC
C	SIDE RAIL 	2PCS
D	SLAT 	12PCS

STEP 1

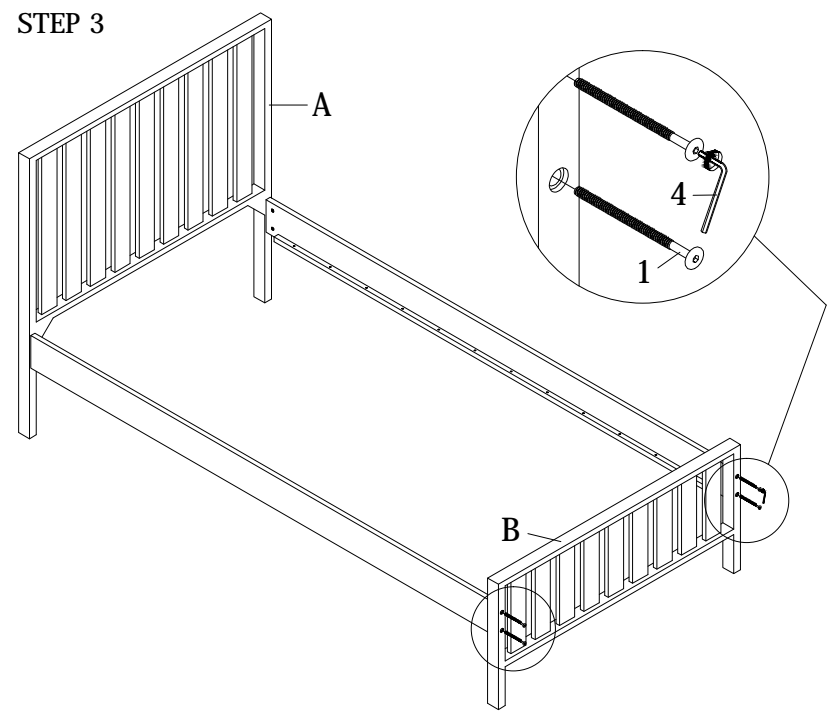


STEP 2

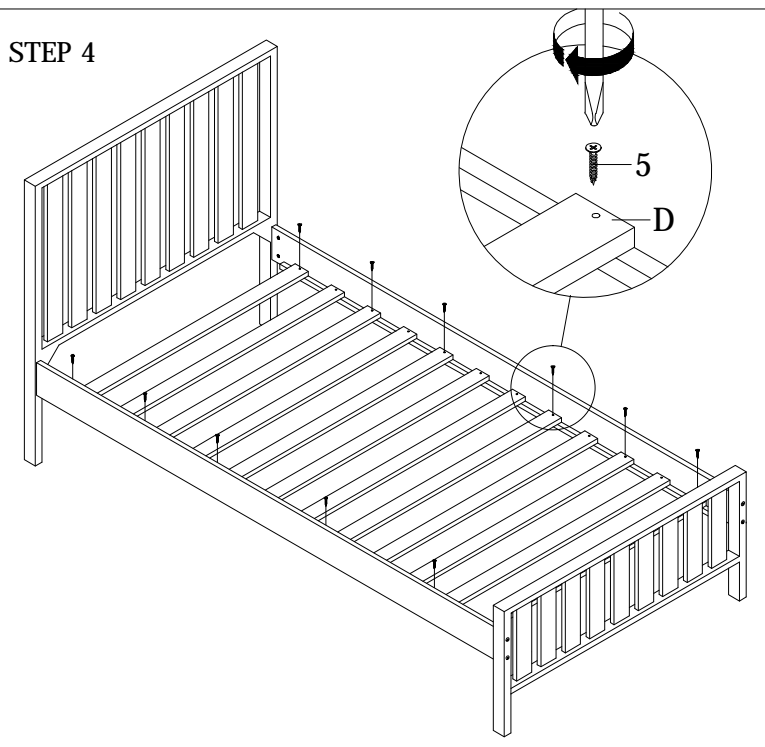


NO.	HARDWARE LIST	QTY
1	JCBC M6 x 80mm 	8PCS
2	BARREL NUT M6 x 13mm 	8PCS
3	WOOD DOWEL M8 x 30mm 	4PCS
4	ALLEN KEY M4 	1PC
5	CSK M4 x 25mm 	12PCS

STEP 3



STEP 4



END