

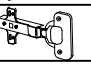

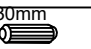



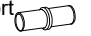
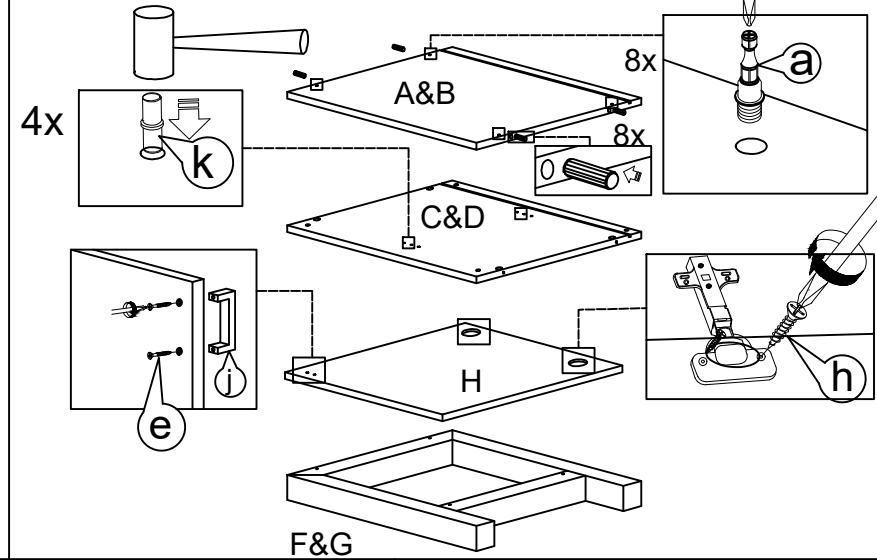
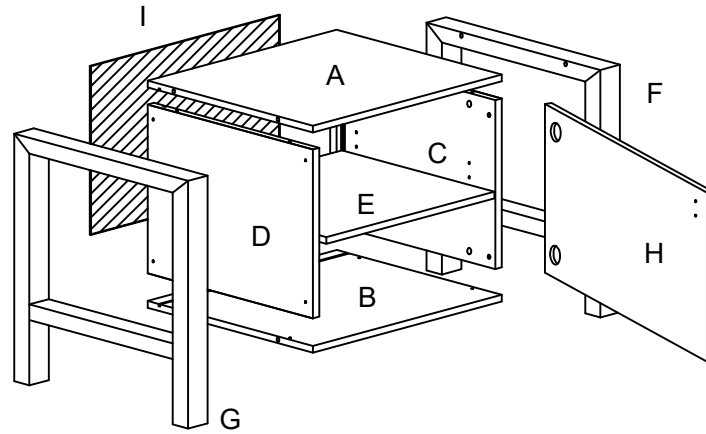


ASSEMBLY INSTRUCTION

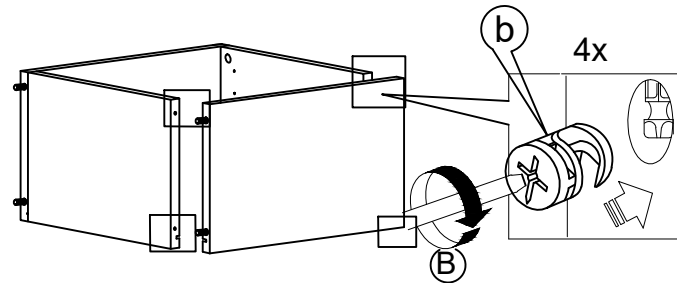
MODEL : NS 02

NO.	PART LIST	QTY
A	Top 380 x 440	1
B	Bottom 380 x 440	1
C	Side(L) 380 x 370	1
D	Side(R) 380 x 370	1
E	Shelf 345 x 400	1
F	Leg(L) 400 x 550	1
G	Leg(R) 400 x 550	1
H	Door	1
I	Back Panel	1

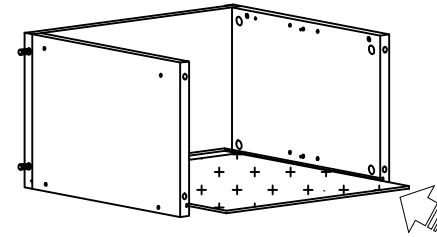
NO.	HARDWARE LIST	QTY
a	Euro Bolt 	8
b	Housing 	8
d	Puentimae Hingel 	2
e	CSK M4 x 30mm 	10
f	Wood Dowel M8 x 30mm 	8
g	Pvc Triangle 	4
h	CSK M3.5 x 16mm 	20
j	Handle 	1
k	Metal Shelf Support 	4



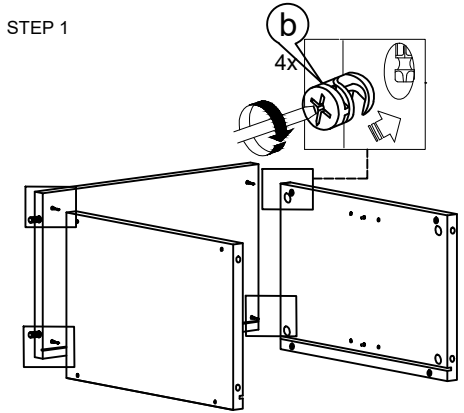
STEP 3



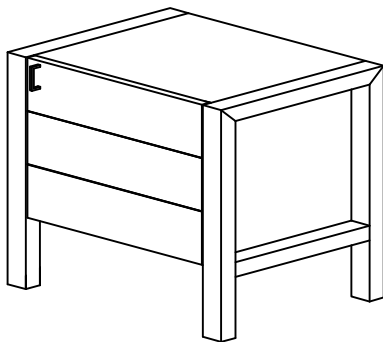
STEP 2



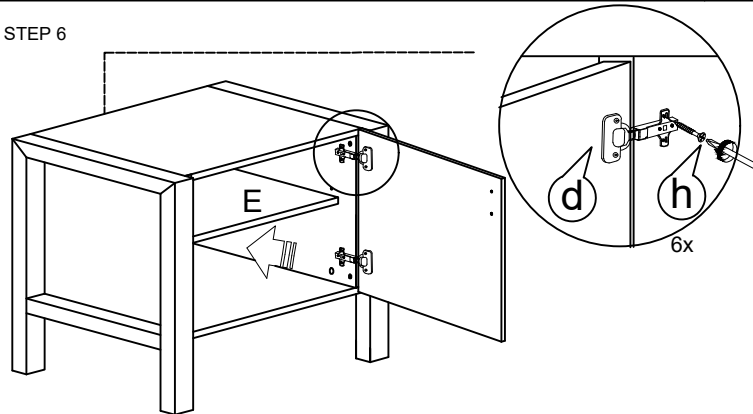
STEP 1



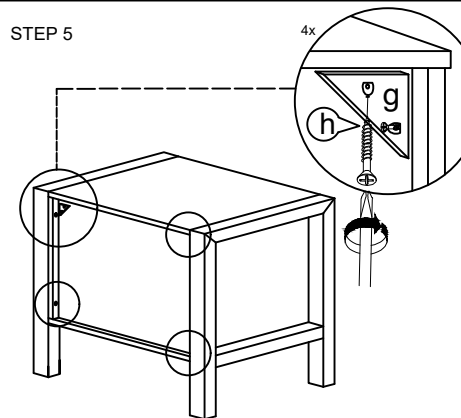
ASSEMBLY COMPLETED



STEP 6



STEP 5



STEP 4

