




ASSEMBLY INSTRUCTION


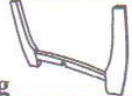

MODEL : HM909-40 END TABLE

Before you begin, please follow Assembly Instruction carefully. Then follow them step by step.

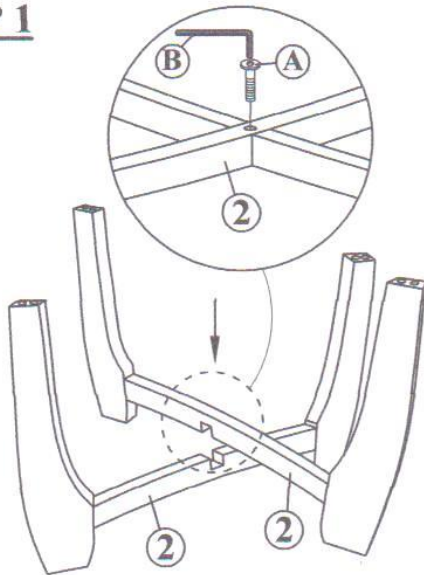
HARDWARE LIST

A	JCBC M6 x 35mm		9pcs
B	M4 Allen Key		1pc
C	CBS Screw M4 x 32mm		8pcs

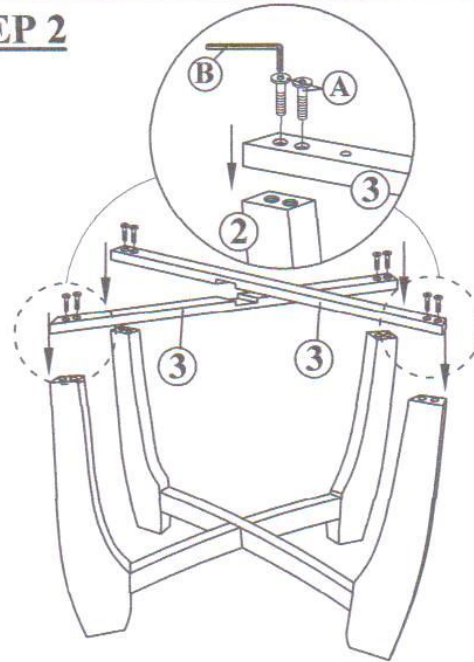
PART LIST

1	 Table Top	1 pc	2	 Leg	2pcs
3	 Table Support	2pcs			

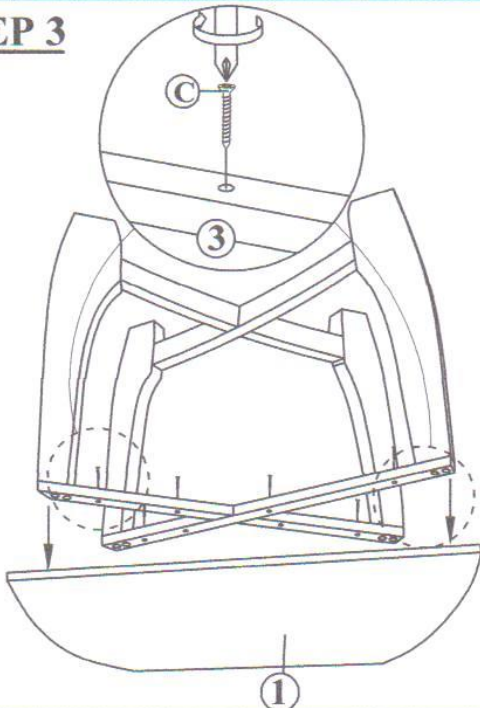
STEP 1



STEP 2



STEP 3



FULLY SET