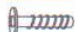




ASSEMBLY INSTRUCTION





MODEL :HM899-30 COFFEE TABLE

Before you begin, please follow Assembly Instruction carefully. Then follow them step by step.

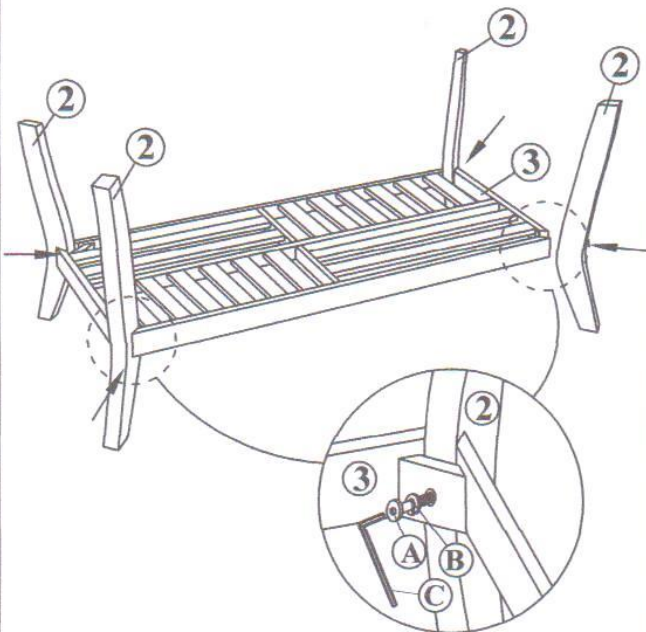
HARDWARE LIST

A	JCBC M6 x 35mm		8pcs
B	M6 Spring Washer		8pcs
C	M4 Allen Key		1pc

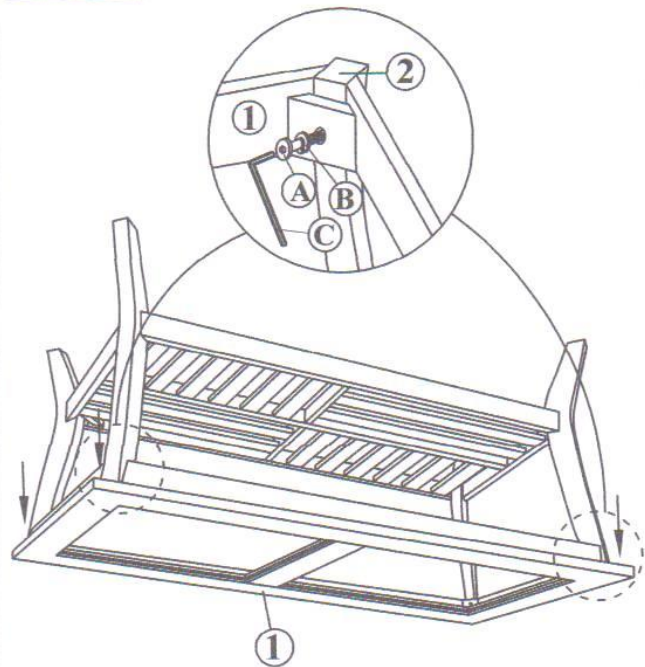
PART LIST

1	 Top Flame	1 pc	2	 Leg	4pcs
3	 Center Flame	1 pc	4	 Top Glass	2pcs

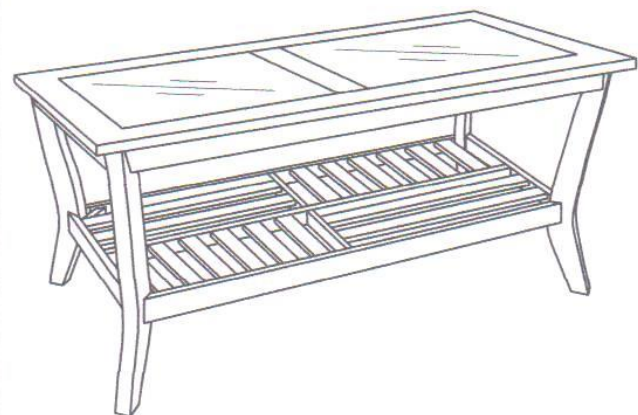
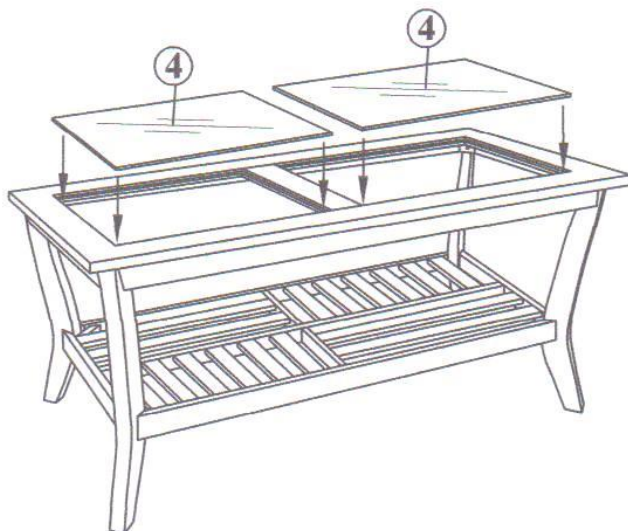
STEP 1



STEP 2



STEP 3



FULLY SET