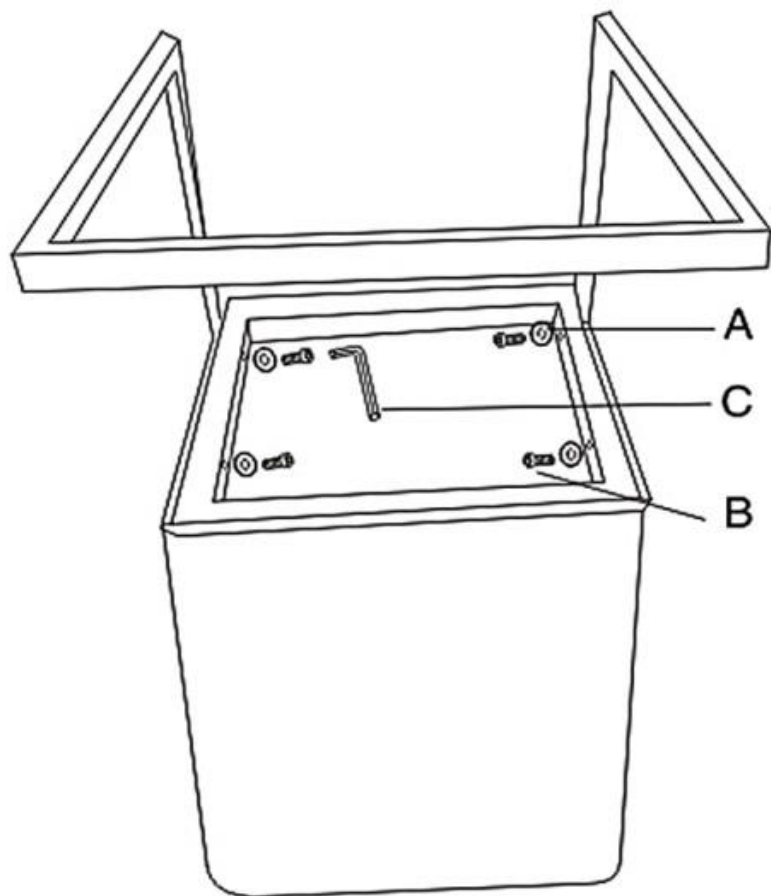
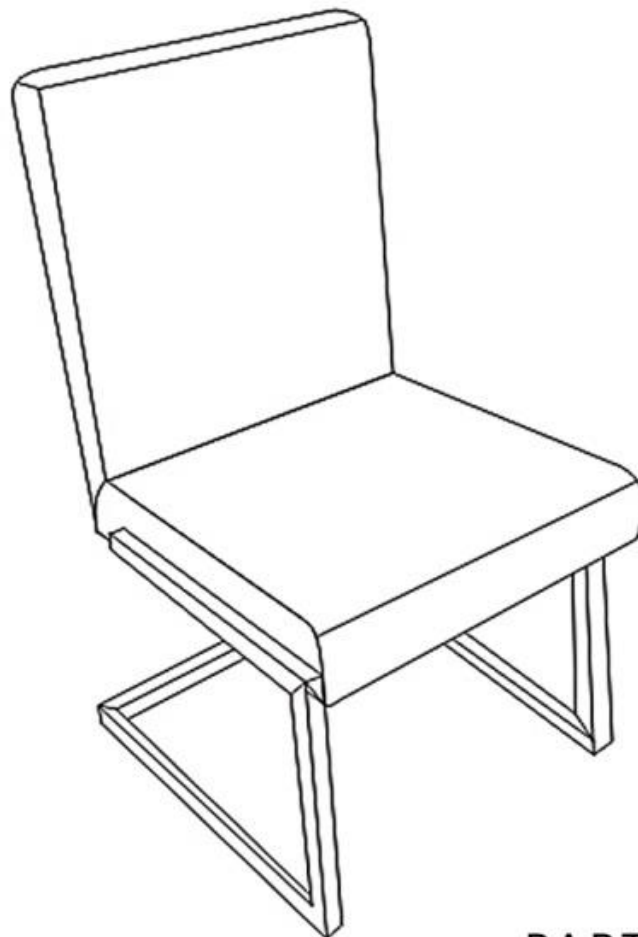


# ASSEMBLY INSTRUCTION




1



2



## PARTS LIST

A		4
B		4
C		1