

Wooden shoes cabinet

MDF Panel parts

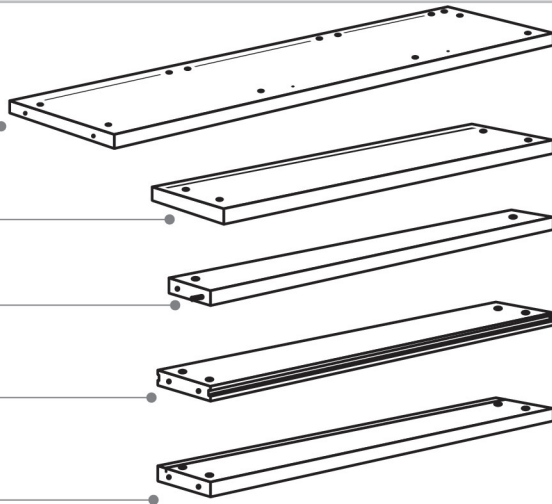
M1 2pcs
1039*240*15mm

M2 1pc
630*240*15mm

M3 1pc
600*60*12mm

M4 2pcs
600*78*12mm

M5 1pc
600*98*15mm

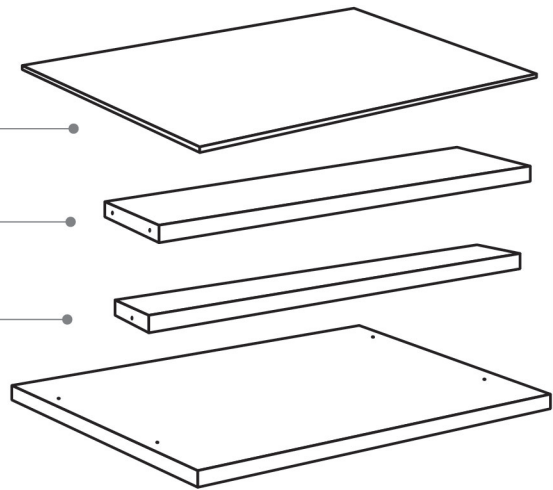


M6 3pcs
606*301*5mm

M7 6pcs
589*138*12mm

M8 3pcs
589*98*12mm

M9 3pcs
595*321*15mm



Hardware fitting

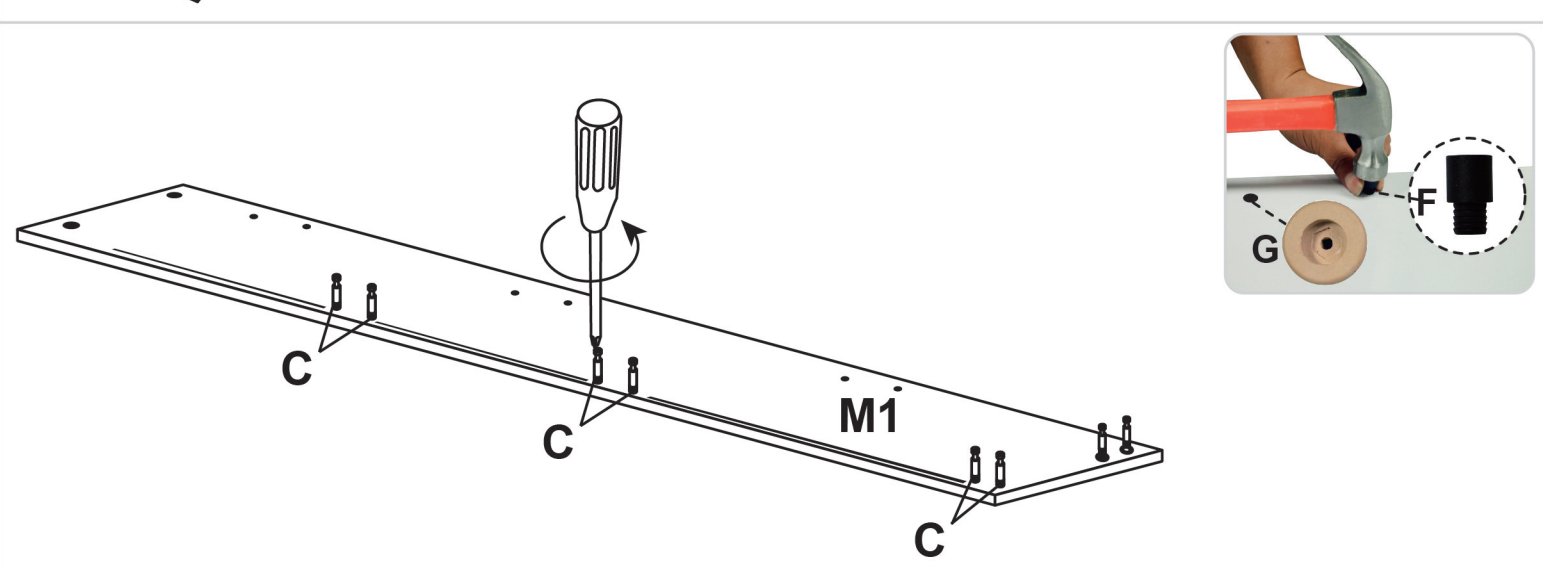
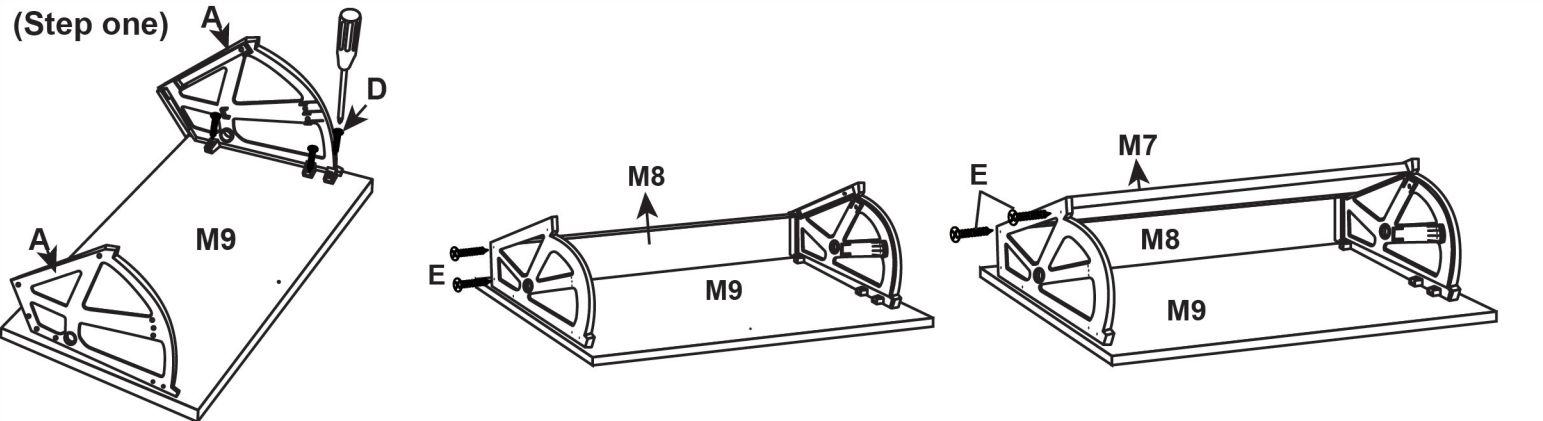
| | | | | | | | |
|---------------|-------------------------------|----------------|----------------|----------------|---------------|---------------|---------------|
| | Three-in-one Hardware fitting | | 3.5*16mm | 3.5*14mm | | | |
| | | | | | | | |
| A 6pcs | B 18pcs | C 18pcs | D 18pcs | E 36pcs | F 6pcs | G 6pcs | H 6pcs |

Assistance may be required for assembly of this product

Please read the instructions carefully before assembling the cabinet.

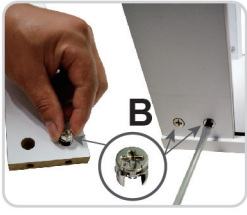
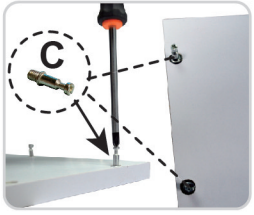
Two adults are required for assembly of this product on a clean, flat surface without a rough surface that could scratch the panels.

(Step one)



Wooden shoes cabinet

(Step Two)



Attention:
Three-in-one hardware fitting with the direction of arrow must point to the holes from MDF back pulling panels.

