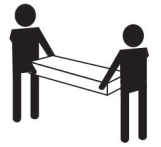
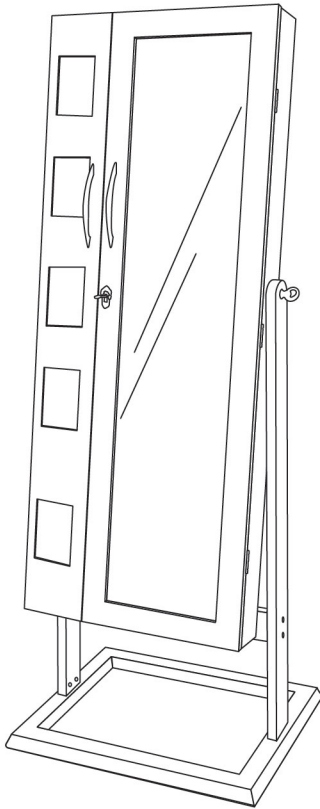


MIRROR JEWELLERY CABINET

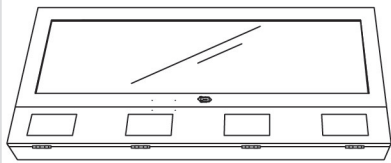
Two adults must be required. Before you begin, please follow assembling instruction step by step.



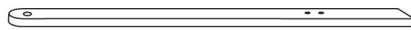
Maintenances:

1. Avoid exposure to direct sunlight and heat sources.
2. Keep the cabinet door closed when not in use.
3. Use mild furniture cleaner to clean the cabinet.
4. Open the cabinet door gently, to avoid falling of contents.
5. The new cabinet may have paint odour upon unpack, it will disappear in a short period of time.

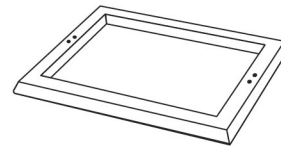
Parts list



A 1pc



B 2pcs



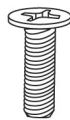
C 1pc



D 1pc



E 2pcs



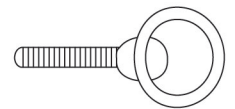
F 4pcs



G 2pcs



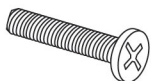
H 2pcs



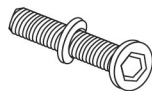
I 2pcs



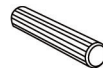
J 4pcs



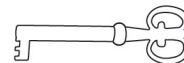
K 4pcs



L 4pcs



M 2pcs



N 1pc



O 1pc

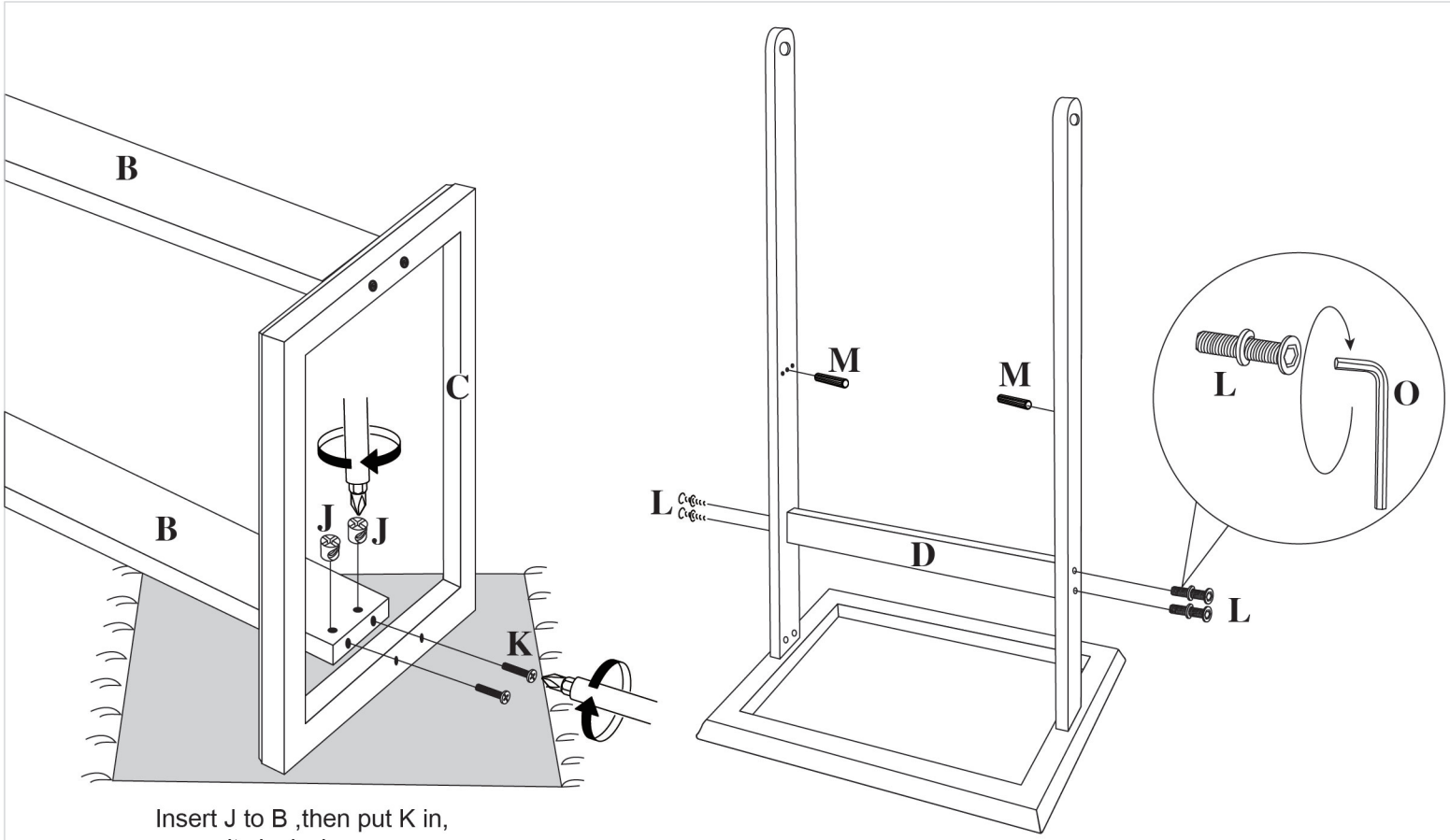
Tool Required



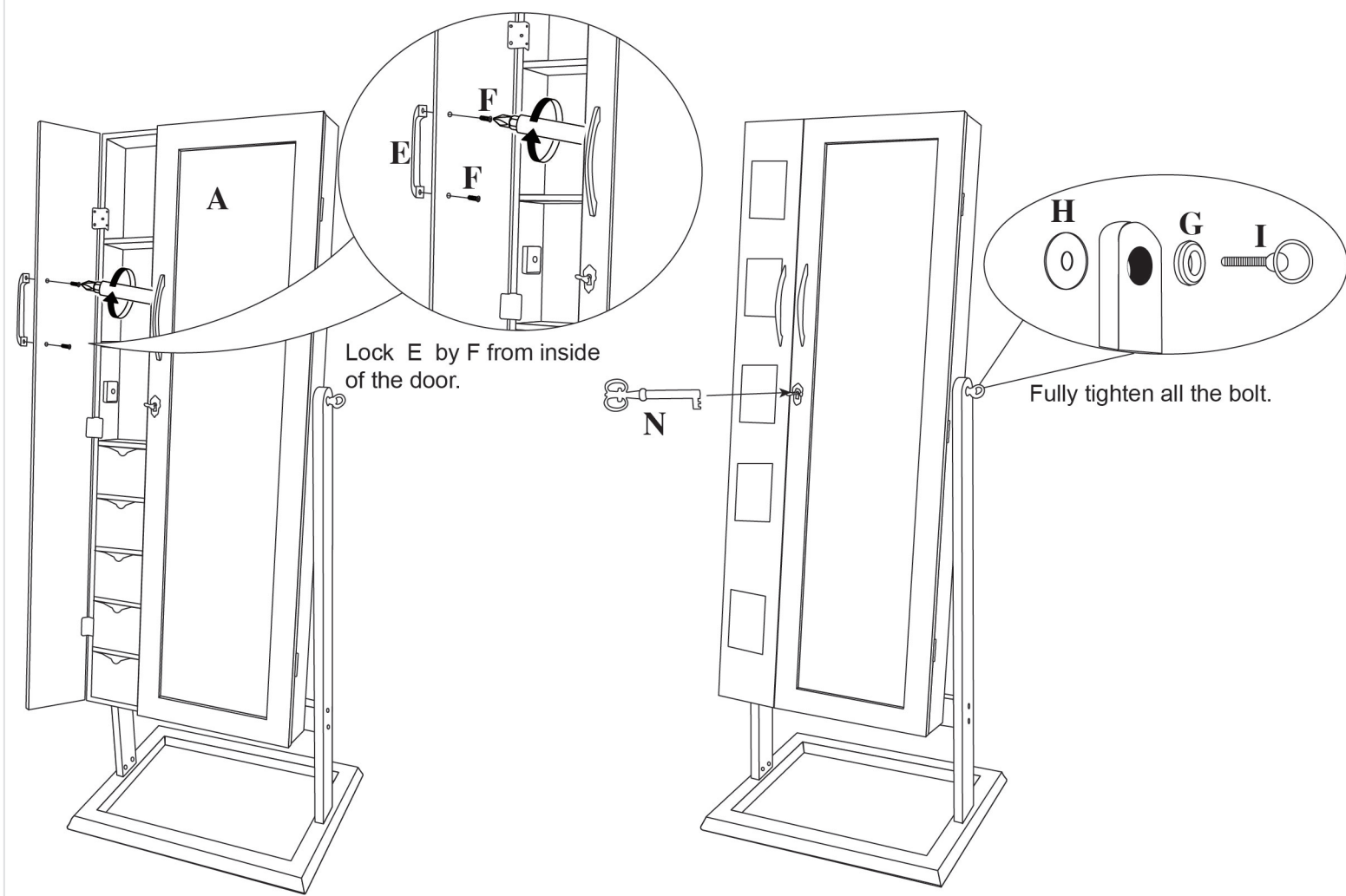
Assistance may be required for assembly of this product

Please read the instructions carefully before assembling the cabinet.

Two adults are required for assembly of this product on a clean, flat surface instead of a rough surface.



Insert J to B ,then put K in, screw it clockwise.



Lock E by F from inside of the door.

Fully tighten all the bolt.