

ASSEMBLY INSTRUCTION

ITEM : FLORENCE CHAIR

Please read instructions carefully. Remove all wrapping material, staples and packing straps from the carton. Be sure you have all parts before you start assembling. Place all wooden furniture parts on a clean and flat soft surface, such as carpet or rug to prevent from being scratched.

CAUTION : 1) DO NOT FULLY TIGHTEN THE NUTS OR SCREWS INITIALLY UNTILL ALL THE NUTS AND SCREWS ARE ASSEMBLED. TO AVOID CAUSING DAMAGE TO THE TREAD, DO NOT OVER-TIGHTEN THE NUTS OR SCREWS.
2) SCREWS ARE ASSEMBLED. TO AVOID CAUSING DAMAGE TO THE TREAD, DO NOT OVER-TIGHTEN THE NUTS OR SCREWS.
3) KEEP ALL HARDWARE PARTS OUT OF RECH OF CHILDREN.

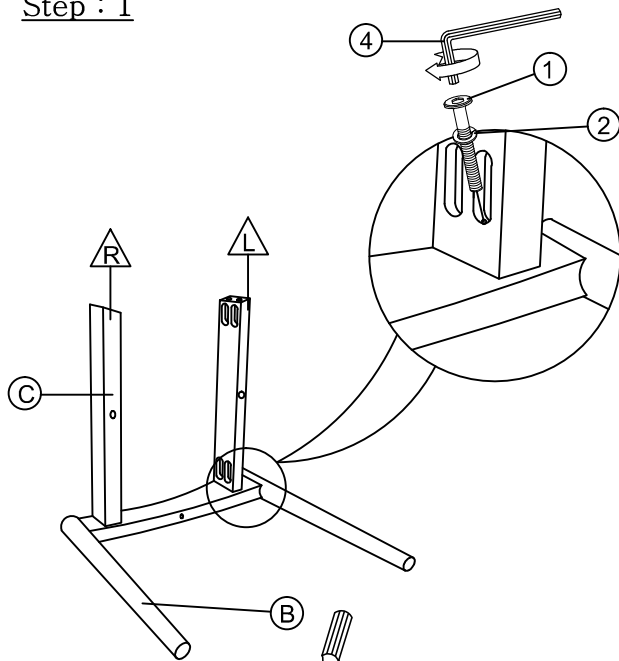
PARTS LIST

NO	DESCRIPTION	QTY
A	CHAIR BACK	1
B	FRONT LEG FRAME	1
C	SIDE RAIL	2
D	CUSHION	1

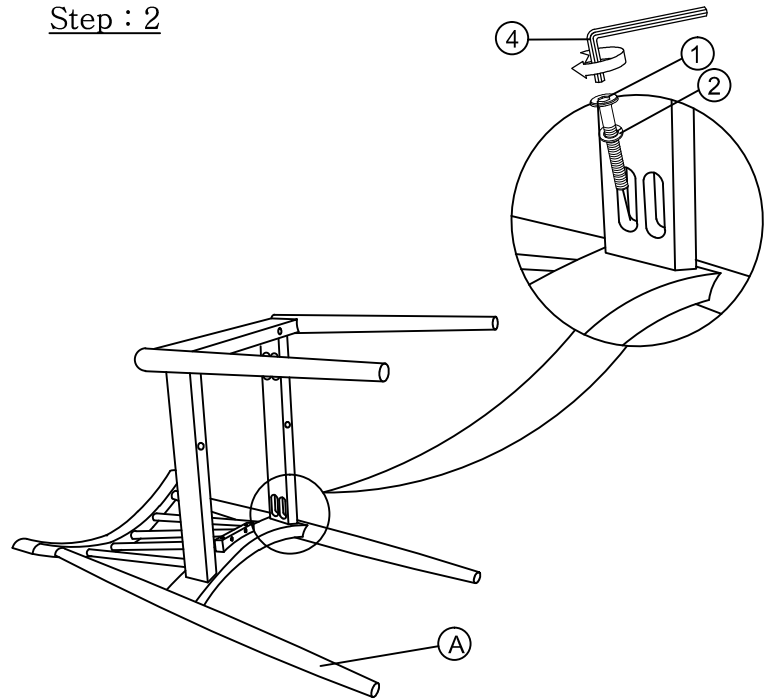
HARDWARE LIST

NO	DESCRIPTION	QTY
1	JCBC BOLT M6 x 50mm	10
2	SPRING WASHER M6	10
3	CSK-CB SCREW M4 x 32mm	4
4	ALLEN KEY WITH BALL M4 x 110mm	1

Step : 1



Step : 2



Step : 3

