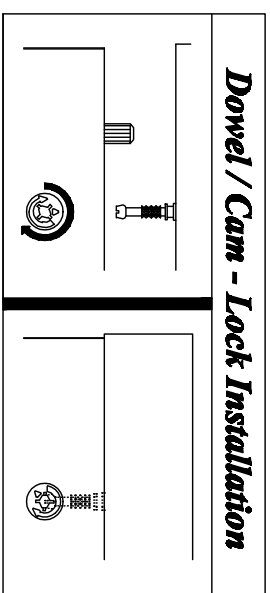
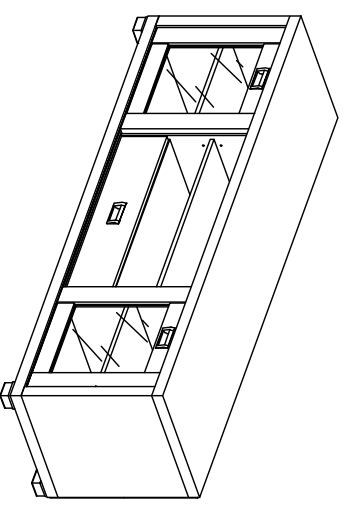


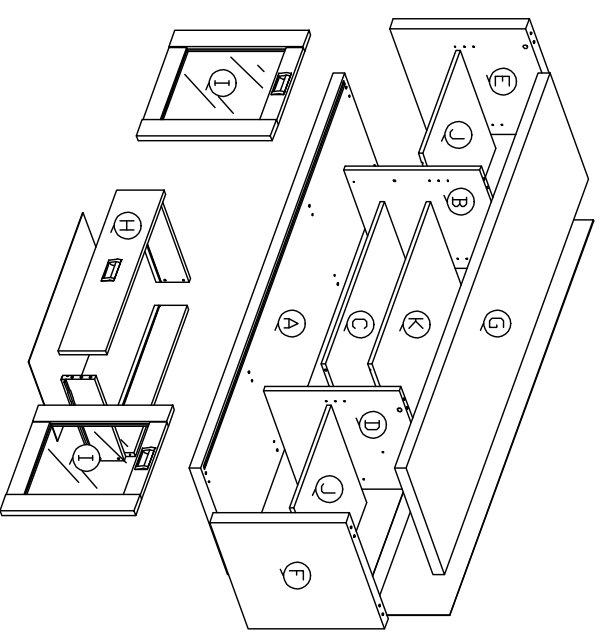
# Assembly Instruction

**Model : FTV 886**

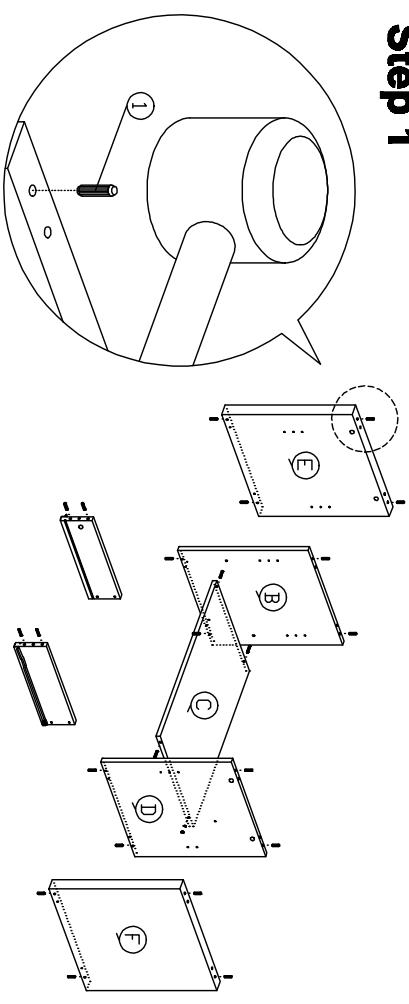
## Part List



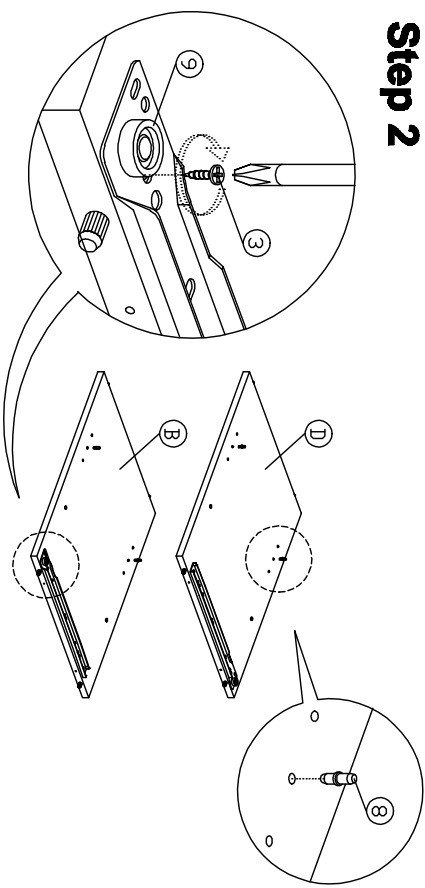
Hardware List			
№	SHAPE	DESCRIPTION	QTY
1		8x25mm Wood Dowel	24Pcs
2		15MM Myfix Minifix	10Set
3		M3.5x12mm Screw	4Pcs
4		M3.5x16mm Screw	24Pcs
5		M4x38mm Screw	4Pcs
6		M4x65mm Screw	8Pcs
7		Nail	40Pcs
8		Shelf Support	12Pcs
9		Drawer Slide = 300mm	1Set
10		PVC Square Leg	6Pcs
11		PVC Profile U 128	1Pc
12		PVC Profile M 118	1Pc



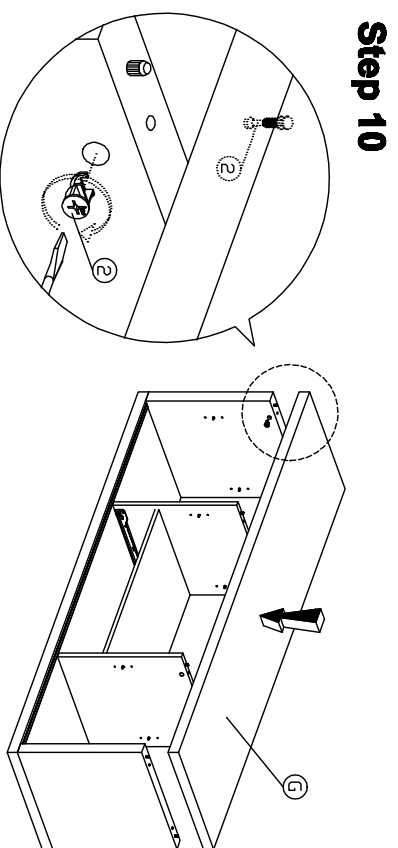
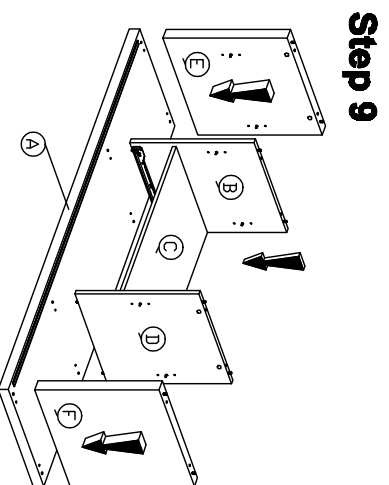
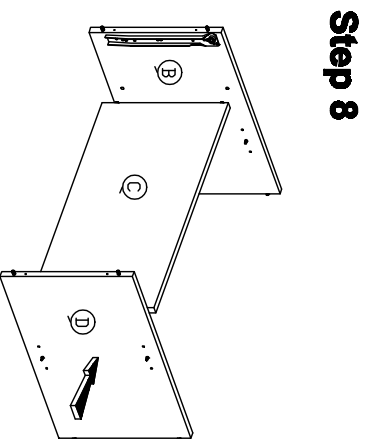
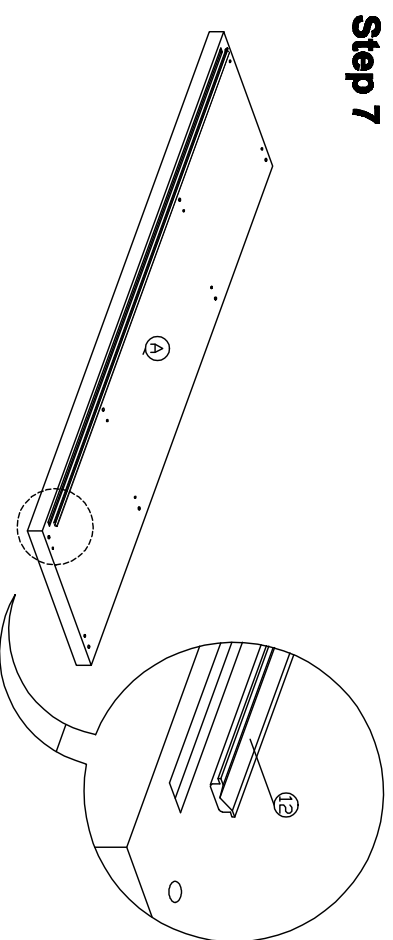
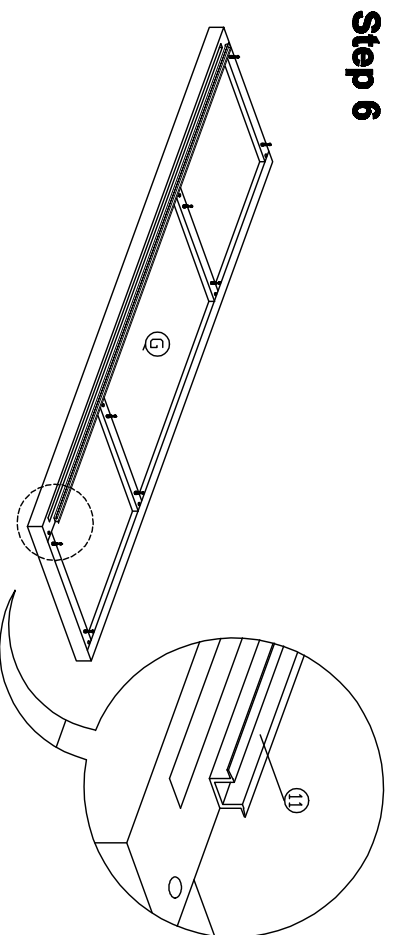
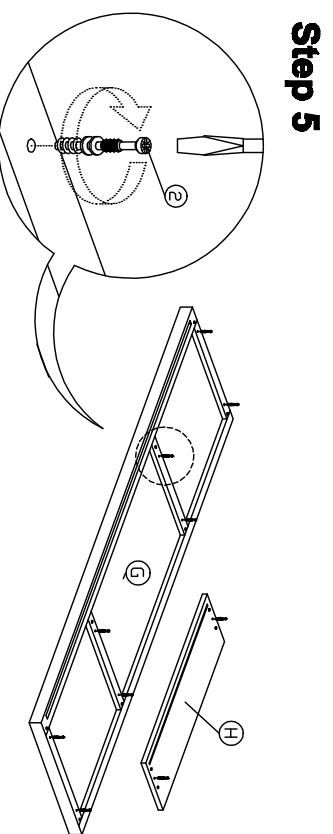
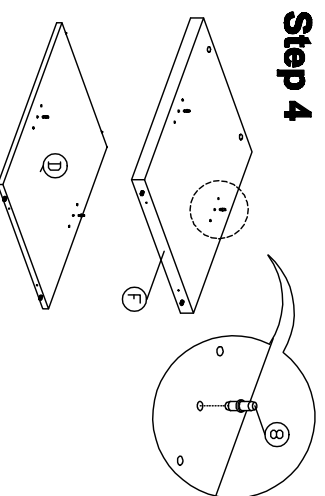
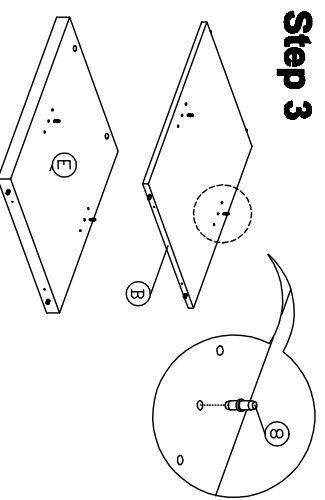
## Step 1



## Step 2

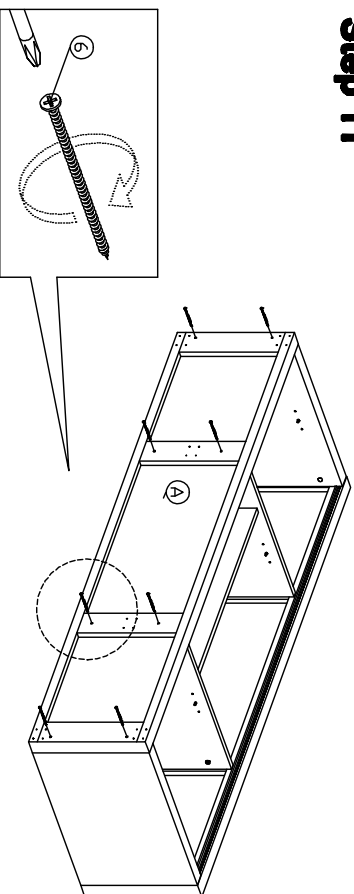


# Assembly Instruction

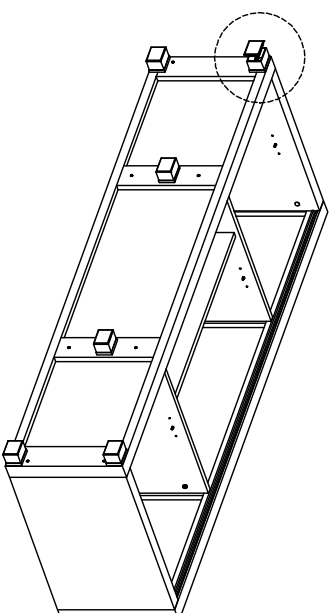
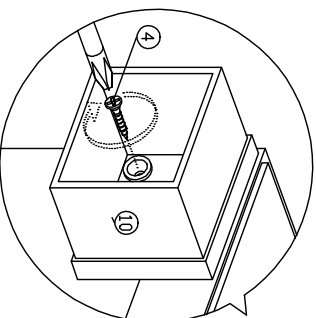


# Assembly Instruction

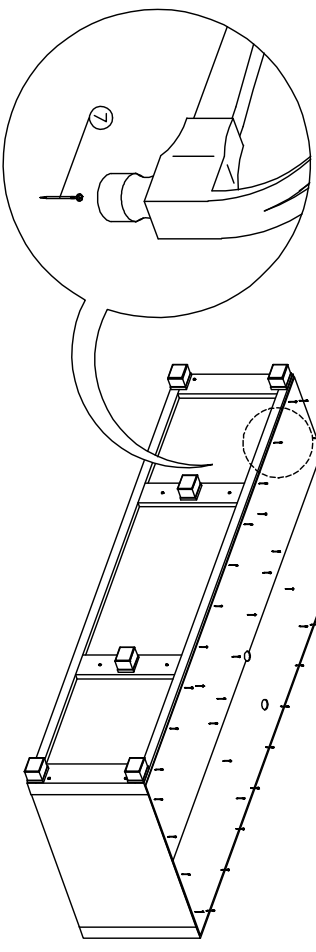
**Step 11**



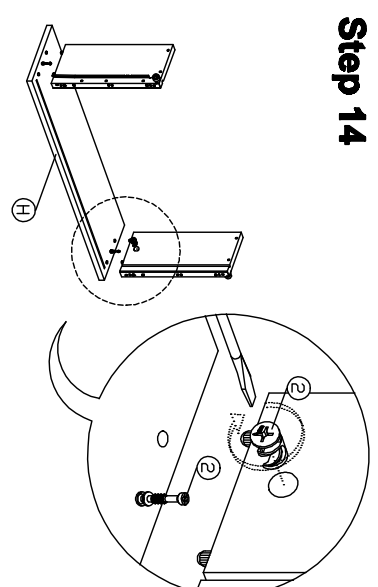
**Step 12**



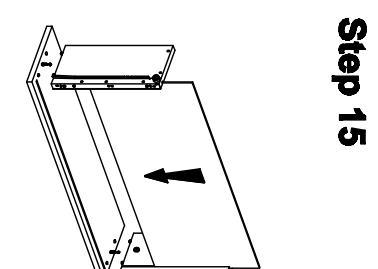
**Step 13**



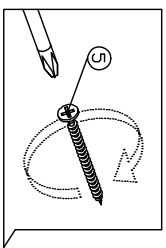
**Step 14**



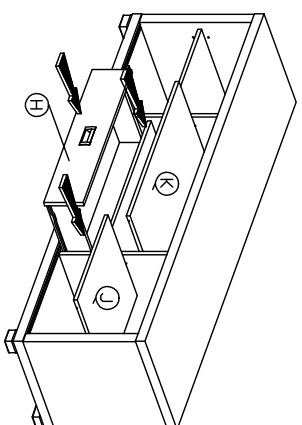
**Step 15**



**Step 16**



**Step 17**



**Step 18**

