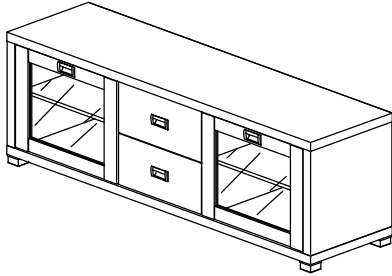


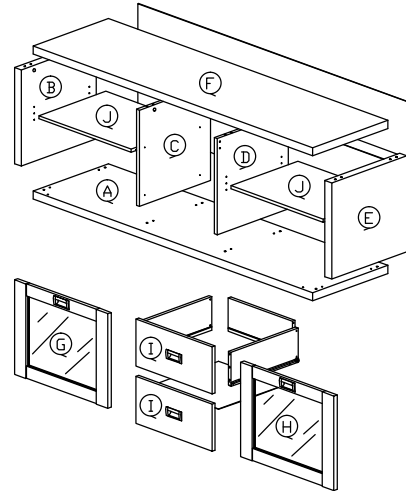
Assembly Instruction

Model : FTV 884

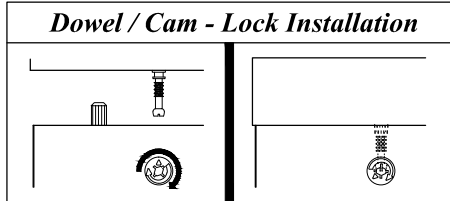
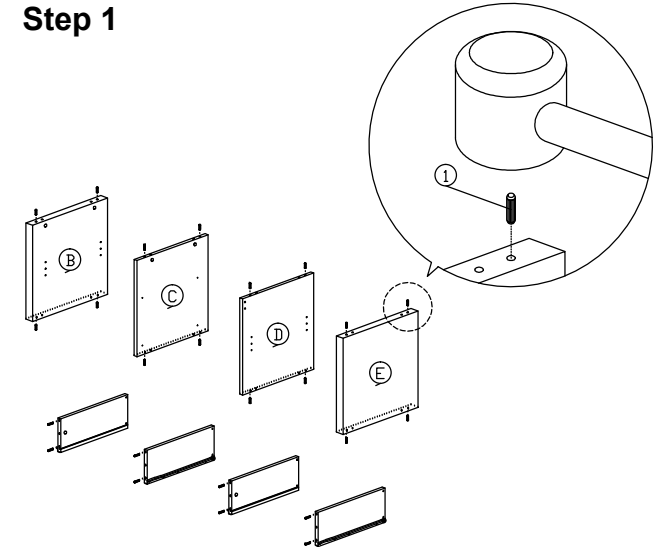


Hardware List			
No.	SHAPE	DESCRIPTION	Qty.
1		8x25mm Wood Dowel	24Pcs
2		15MM Myfix Minifix	12 Set
3		M5x8mm Screw (Euro Screw)	8Pcs
4		M3.5x16mm Screw	32Pcs
5		M4x38mm Screw	8Pcs
6		M4x65mm Screw	8Pcs
7		Nail	35Pcs
8		Shelf Support	8Pcs
9		Drawer Slide = 350mm	2Sets
10		PVC Square Leg	6Pcs
11		MT Stopper	4Pcs
12		Brown Magnet 2 Pin Flat Head Tapping Screw M6x10mm ZB	2Sets

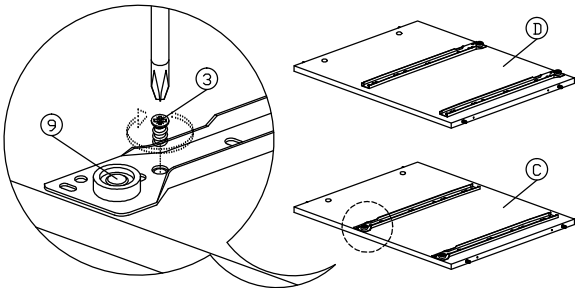
Part List



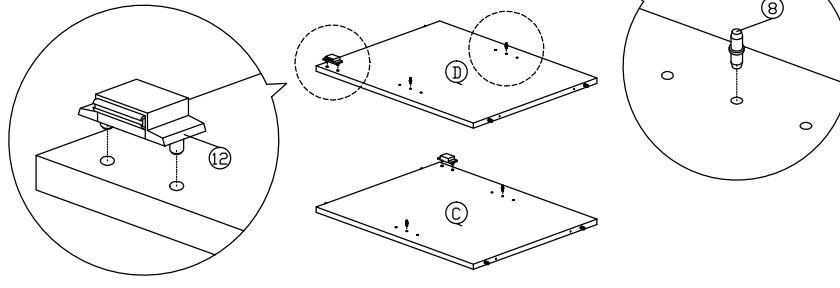
Step 1



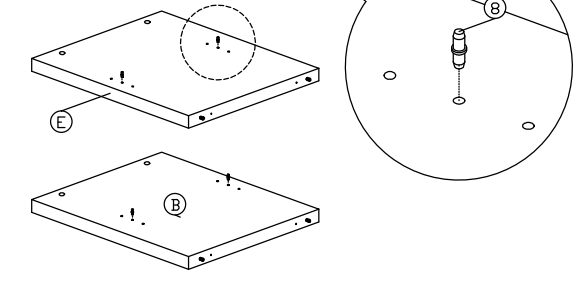
Step 2



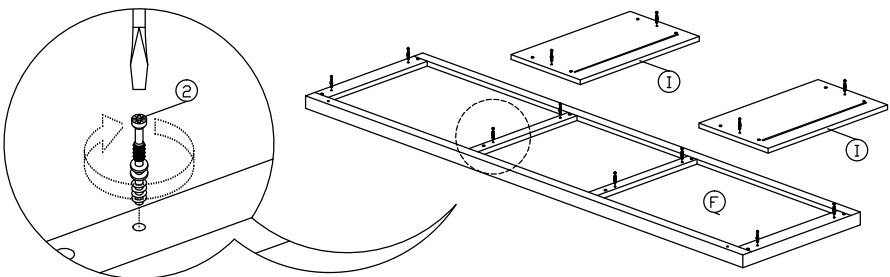
Step 3



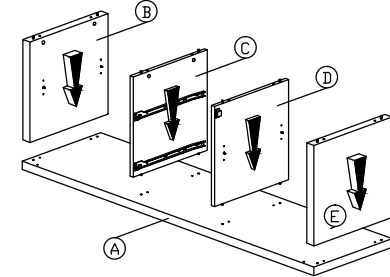
Step 4



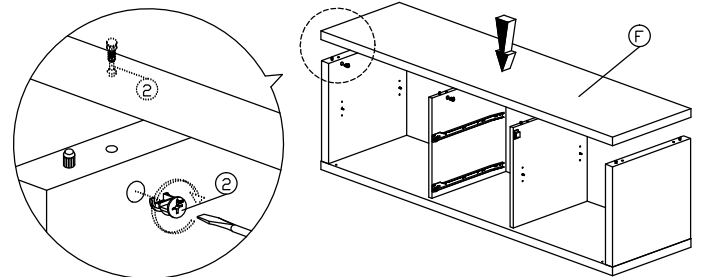
Step 5



Step 6

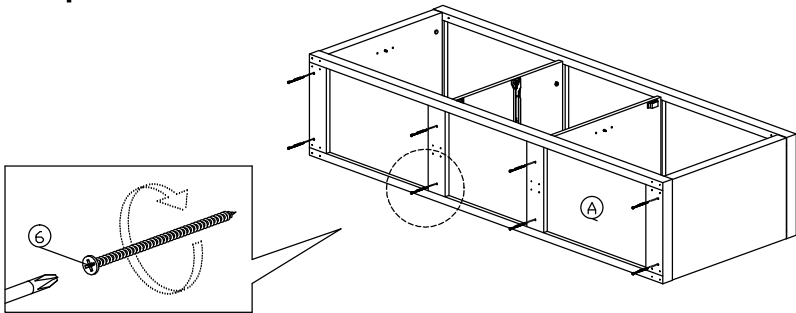


Step 7

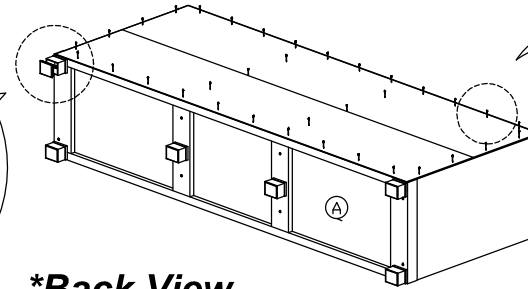
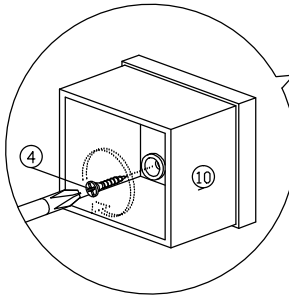


Assembly Instruction

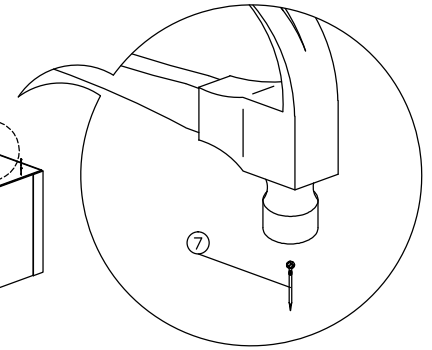
Step 8



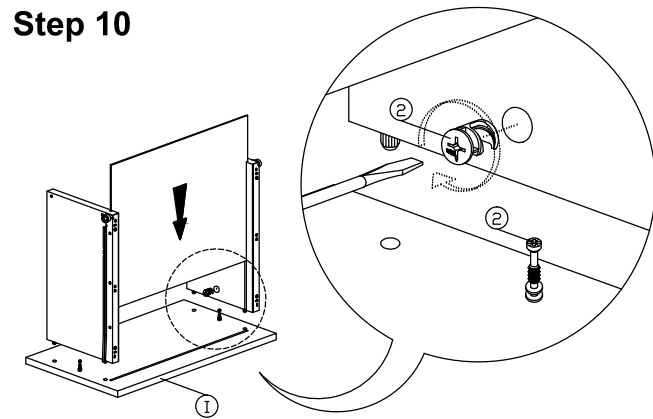
Step 9



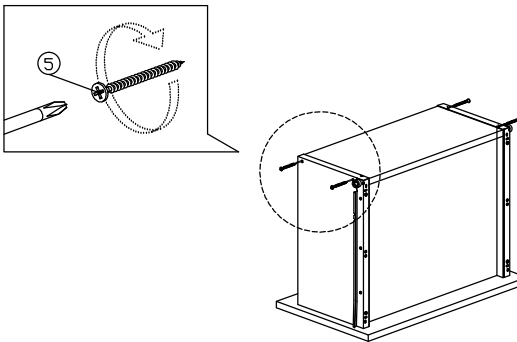
**Back View*



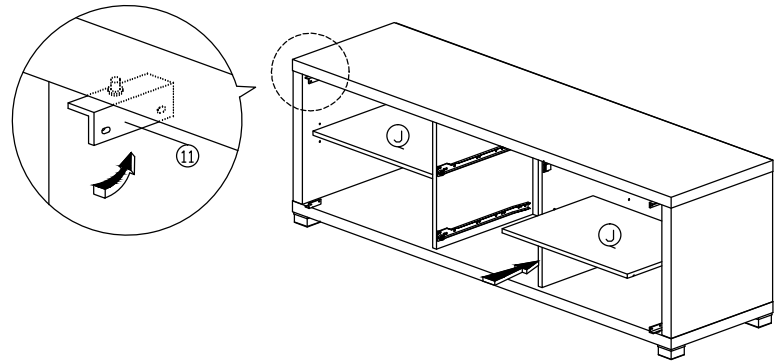
Step 10



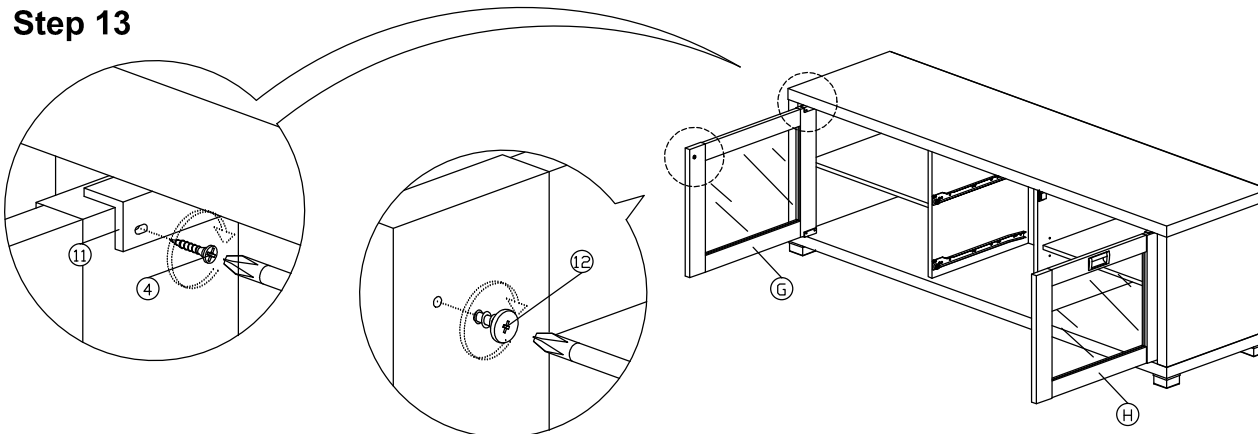
Step 11



Step 12



Step 13



Step 14

