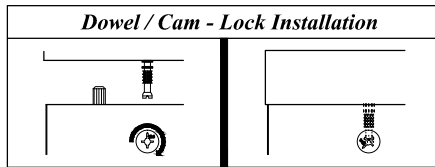
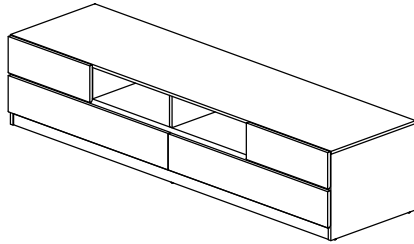


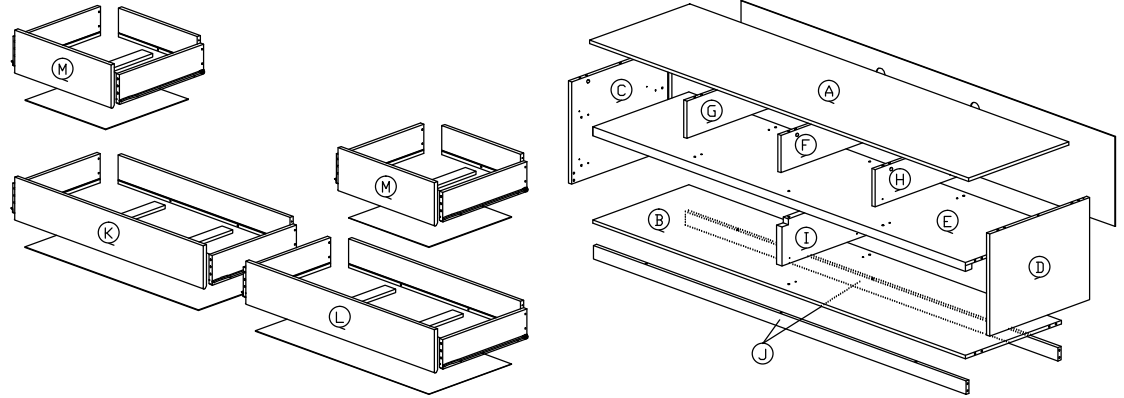
Assembly Instruction

Model : FTV - 4126

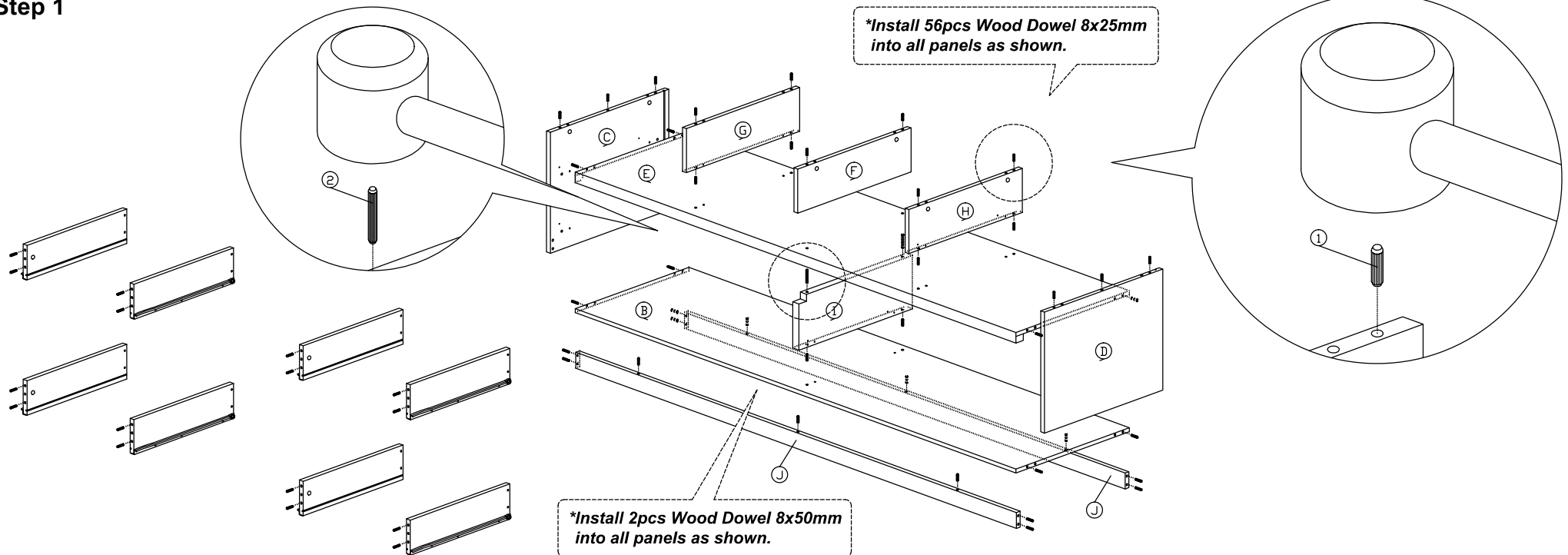


Hardware List			
No.	SHAPE	DESCRIPTION	Qty.
1		8x25mm Wood Dowel	56Pcs
2		8x50mm Wood Dowel	2Pcs
3		15MM Titus Mini Fix	32Sets
4		M3.5x15mm Screw	16Pcs
5		M4x38mm Screw	22Pcs
6		M5x38mm Screw	6Pcs
7		Nail	24Pcs
8		Nail Leg	6Pcs
9		15mm Minifix Cap	2Pcs
10		Drawer Slide 16" (400mm)	4Sets

Part List

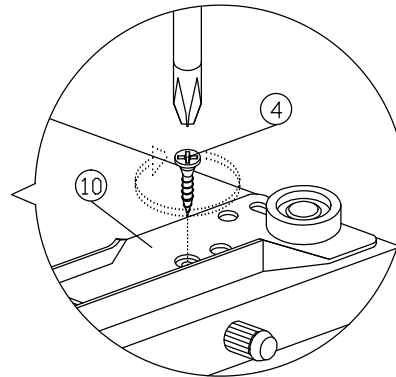
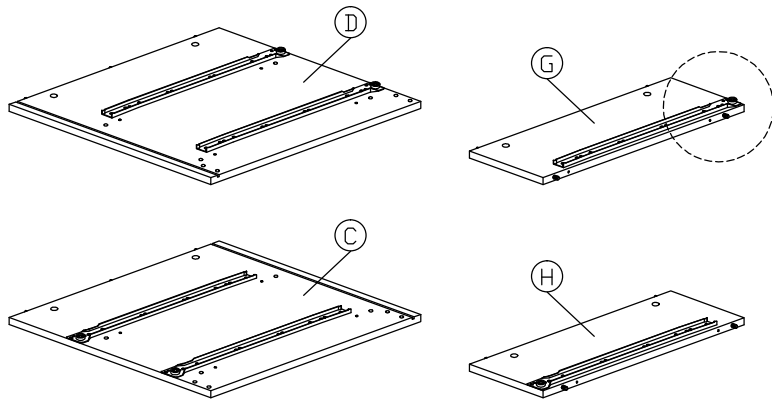


Step 1



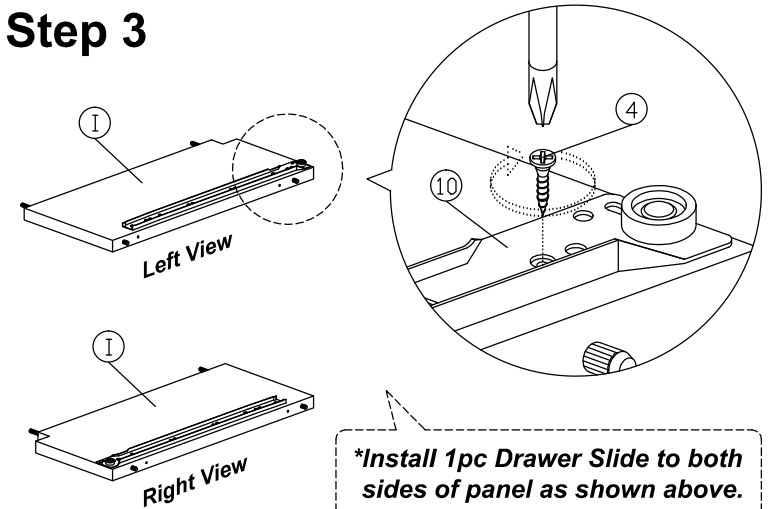
Assembly Instruction

Step 2



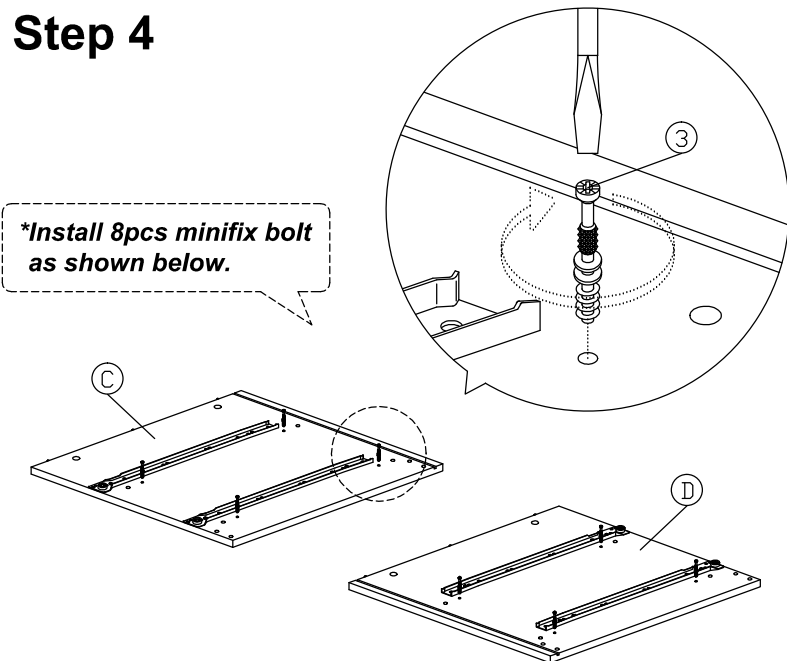
**Install 6pcs Drawer Slide as shown above.*

Step 3



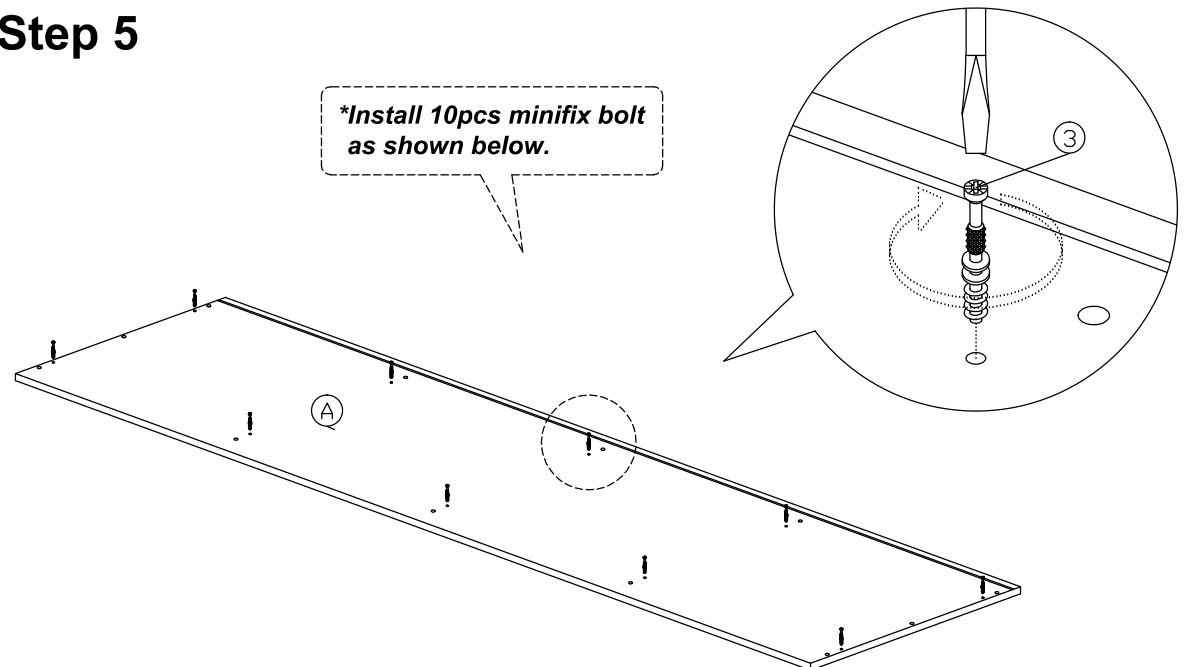
**Install 1pc Drawer Slide to both sides of panel as shown above.*

Step 4



**Install 8pcs minifix bolt as shown below.*

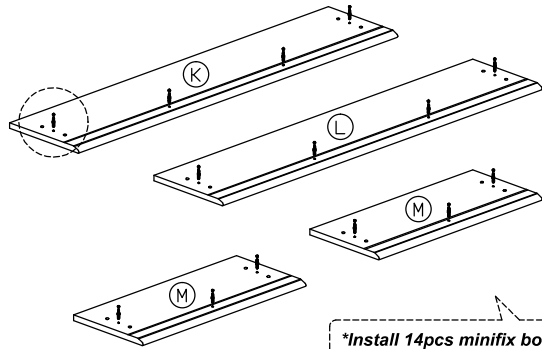
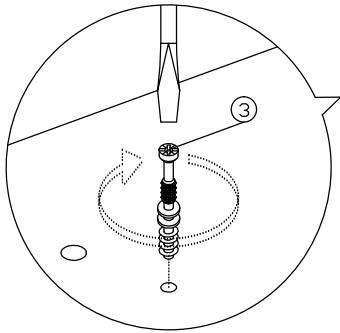
Step 5



**Install 10pcs minifix bolt as shown below.*

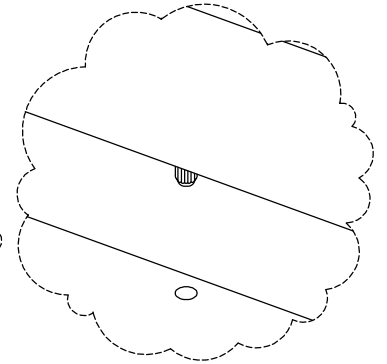
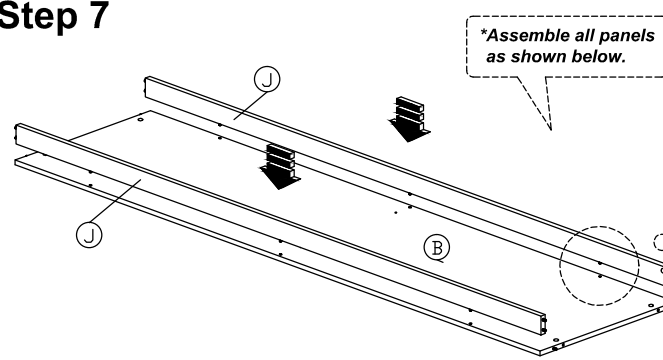
Assembly Instruction

Step 6

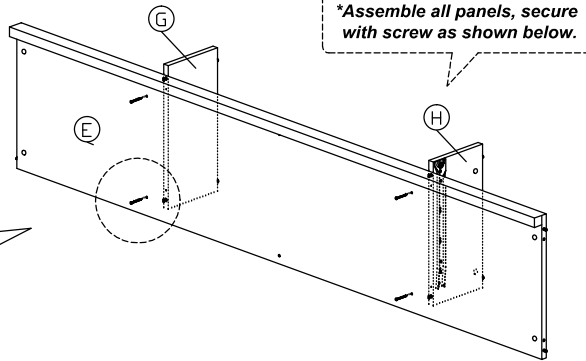
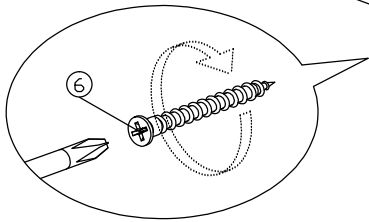


**Install 14pcs minifix bolt as shown above.*

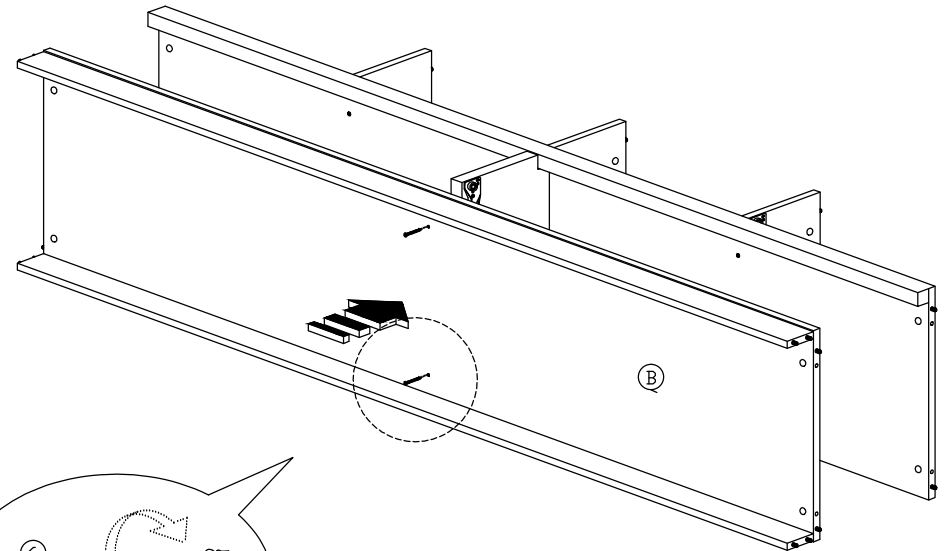
Step 7



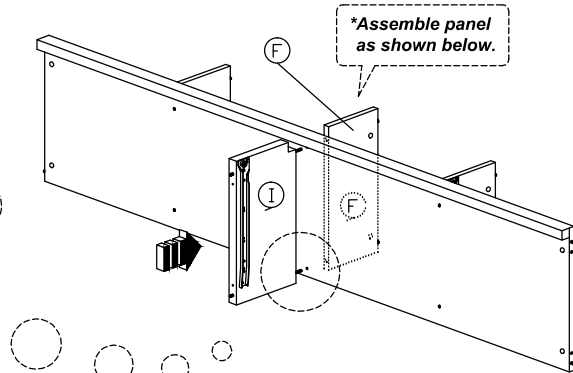
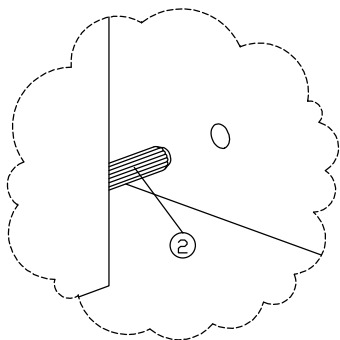
Step 8



Step 10

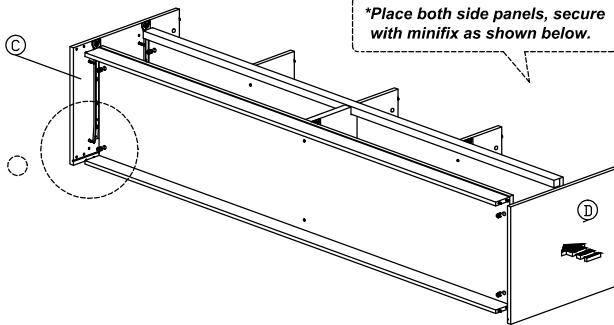
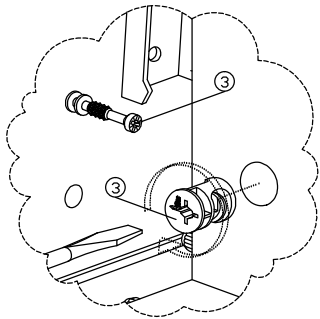


Step 9

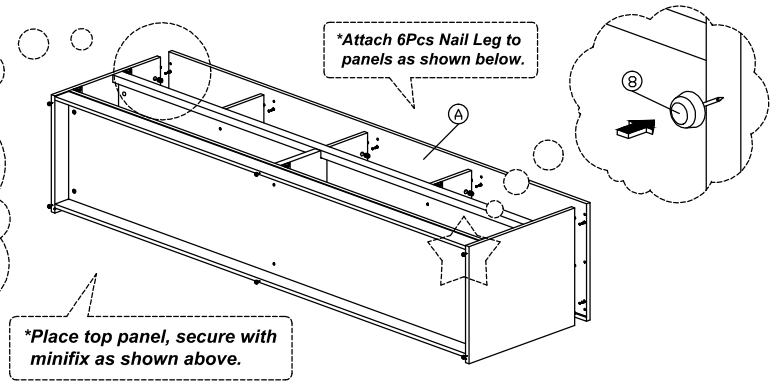
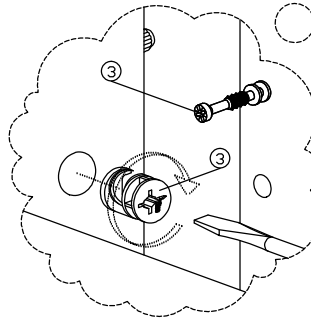


Assembly Instruction

Step 11

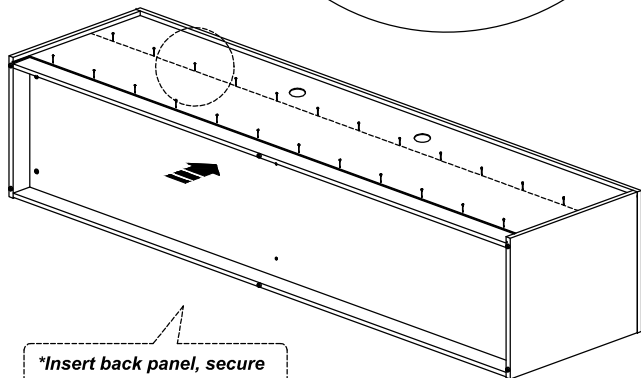
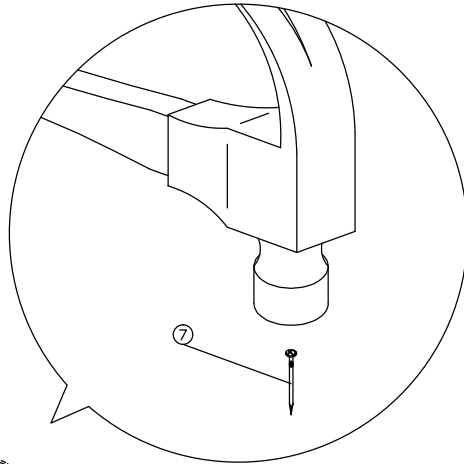


Step 12



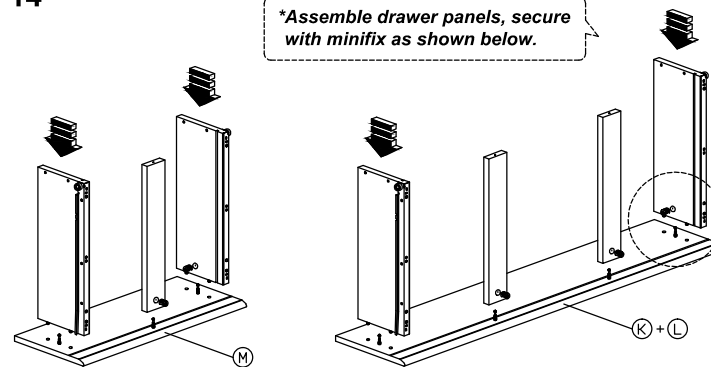
**Attach 6Pcs Nail Leg to panels as shown below.*

Step 13

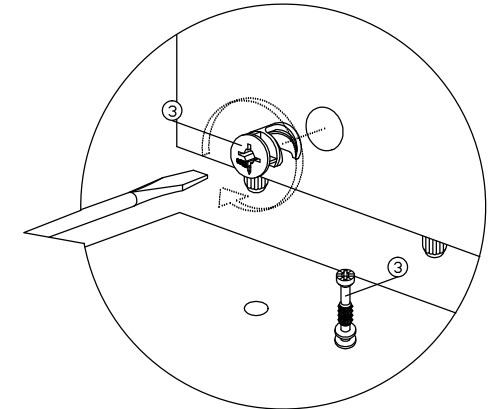


**Insert back panel, secure with Nail as shown above.*

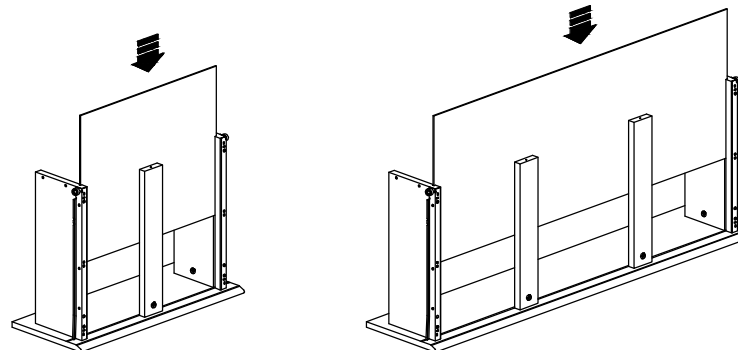
Step 14



**Assemble drawer panels, secure with minifix as shown below.*



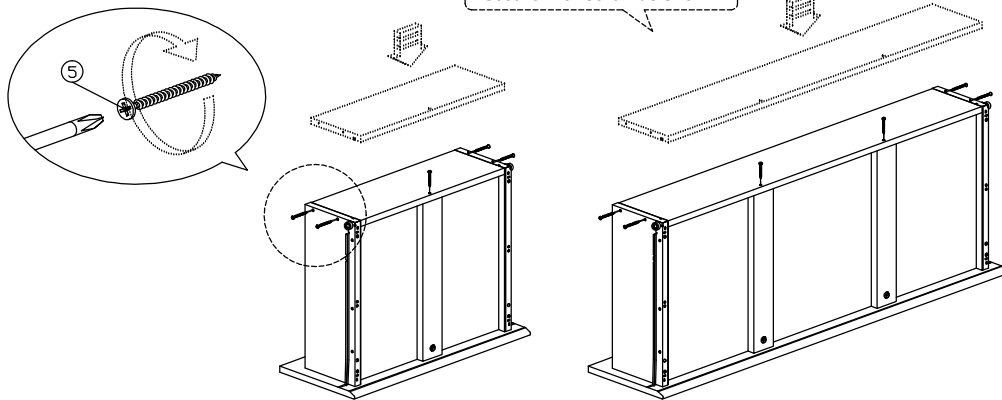
Step 15



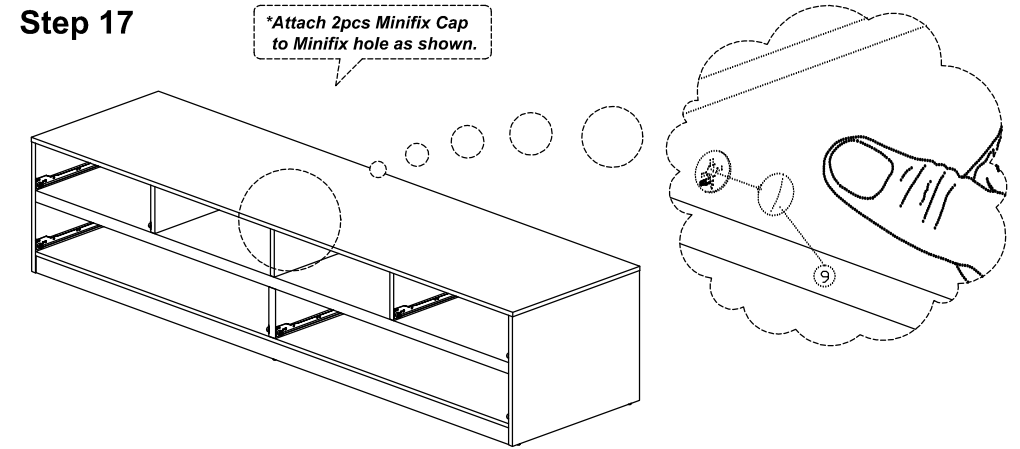
**Insert drawer bottom as shown.*

Assembly Instruction

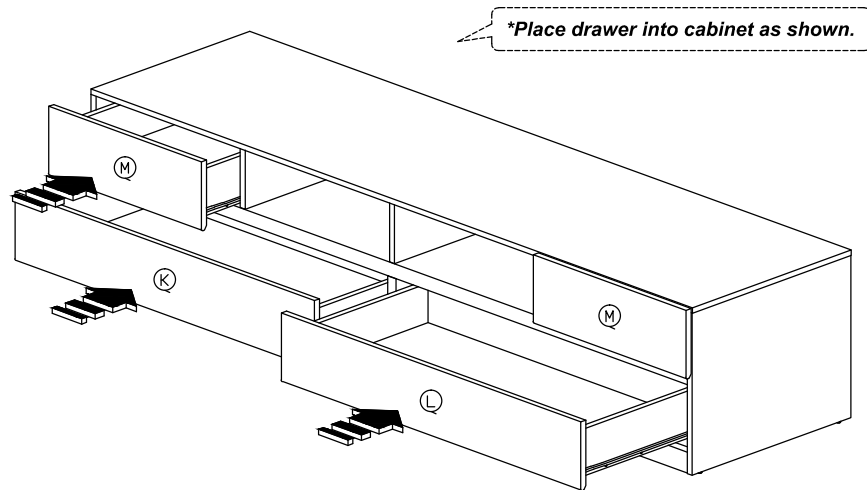
Step 16



Step 17



Step 18



Complete

