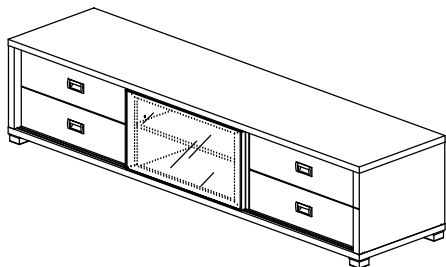
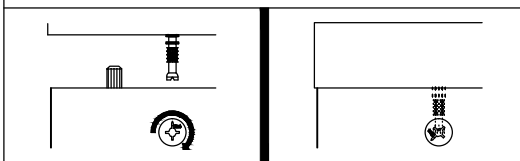


Assembly Instruction

Model : WI4124



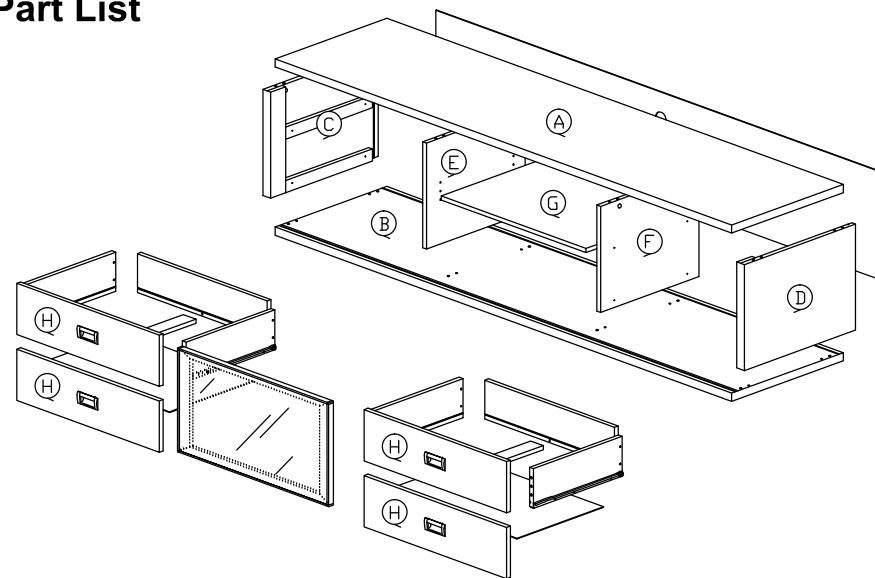
Dowel / Cam - Lock Installation



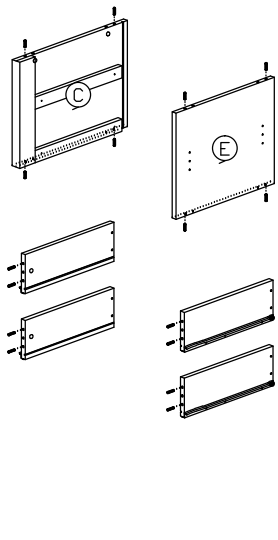
Hardware List

No.	SHAPE	DESCRIPTION	Qty.
1		8x25mm Wood Dowel	32Pcs
2		15MM Titus Mini Fix	20Sets
3		M3.5x15mm Screw	24Pcs
4		M4x38mm Screw	20Pcs
5		M4x65mm Screw	8Pcs
6		Shelf Support	4Pcs
7		Nail	6Pcs
8		PVC Square Leg	6Pcs
9		Drawer Slide 14" (350mm)	4Sets
10		PVC Sliding Lining - LH137 (1734mm)	1Pc
11		PVC Sliding Lining - M118 (1734mm)	1Pc
12		M5x8mm Screw (Euro Screw)	16Pcs

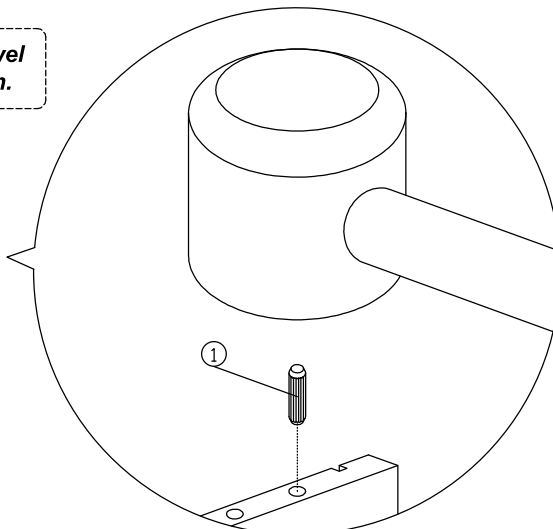
Part List



Step 1

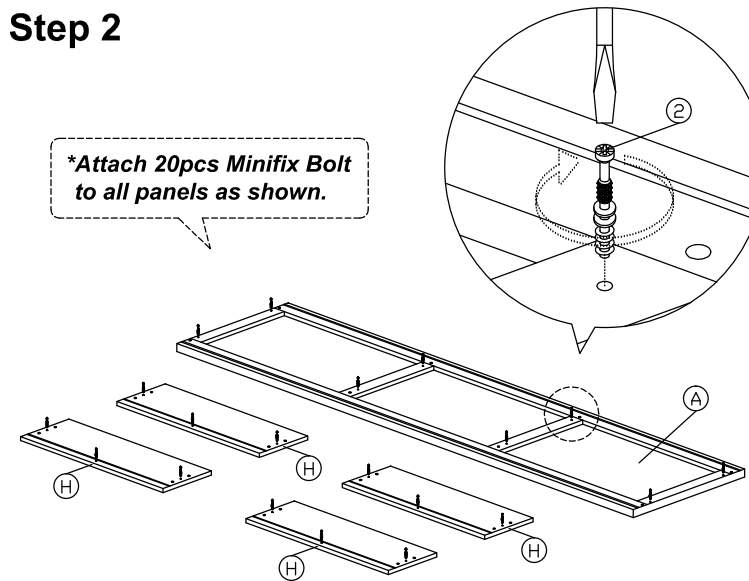


**Install 32pcs Wood Dowel into all panels as shown.*



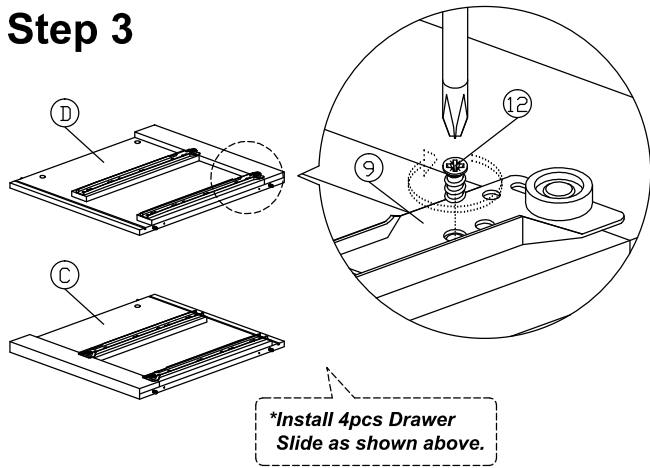
Step 2

**Attach 20pcs Minifix Bolt to all panels as shown.*

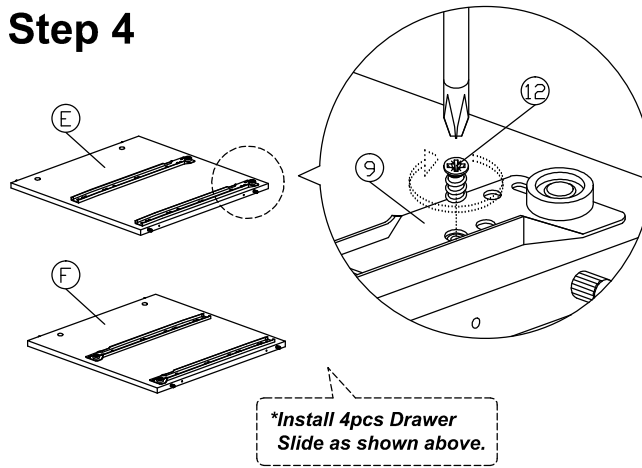


Assembly Instruction

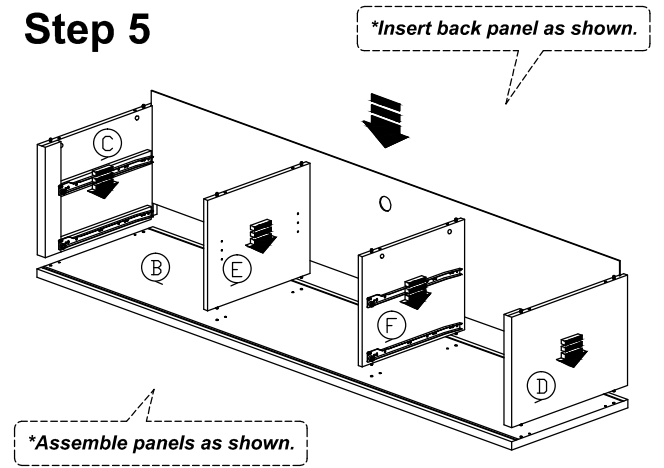
Step 3



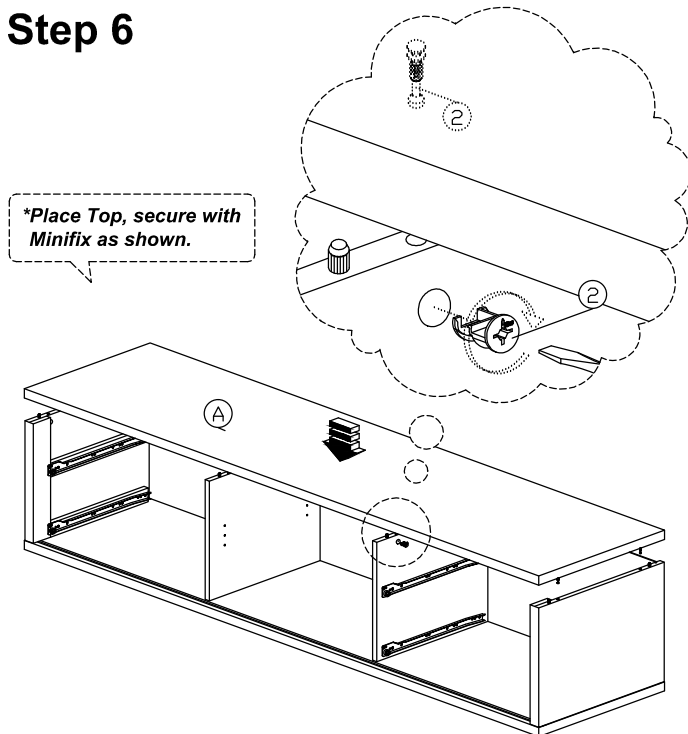
Step 4



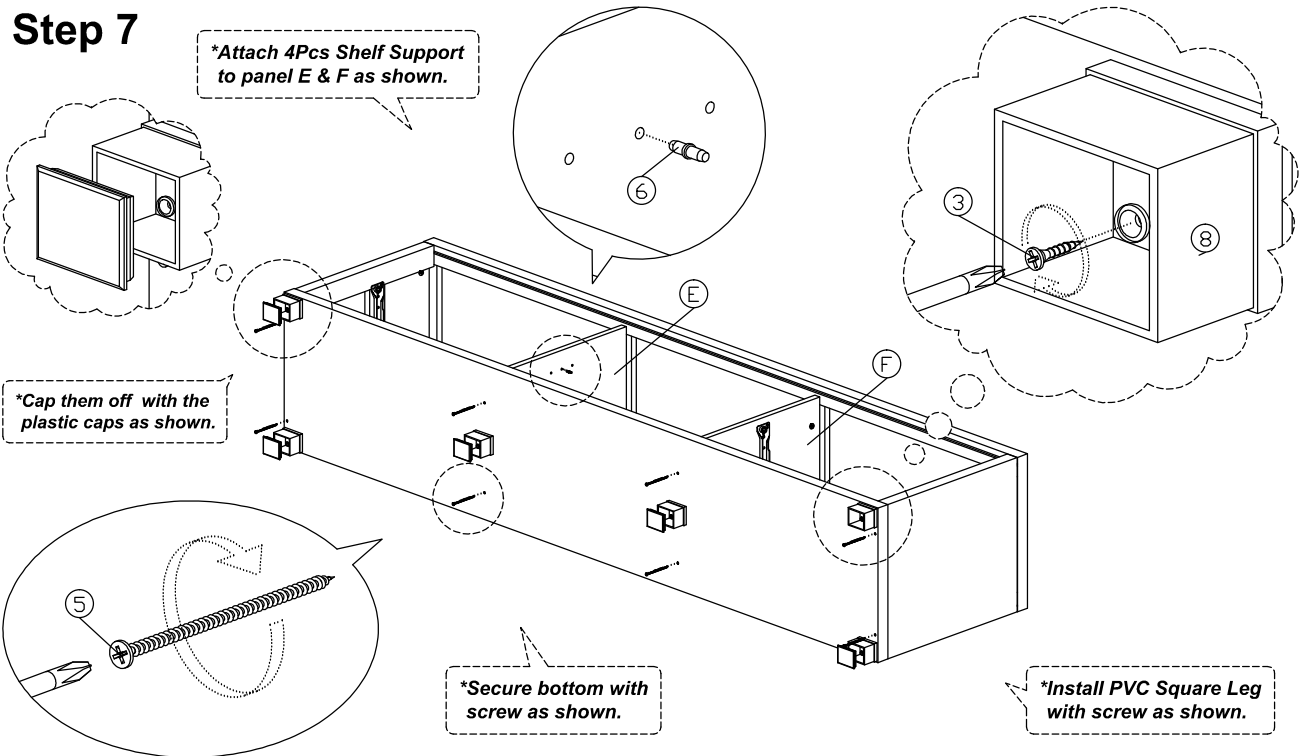
Step 5



Step 6

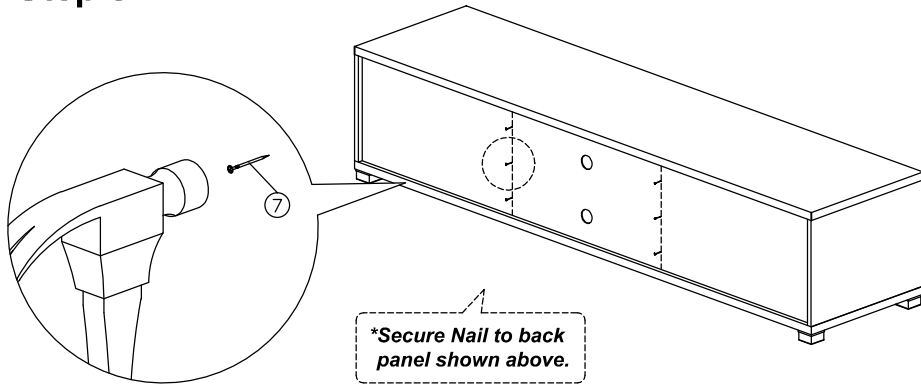


Step 7

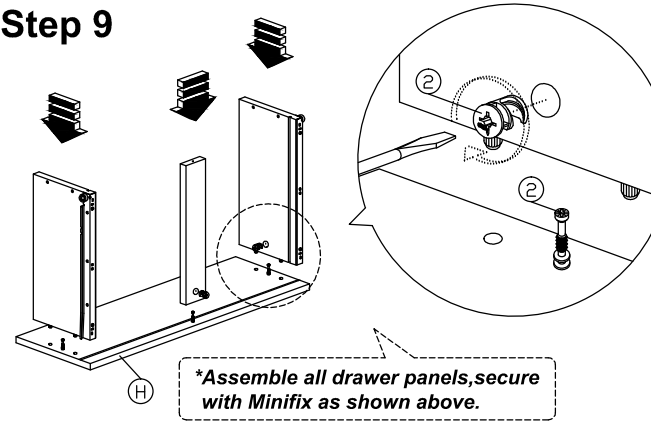


Assembly Instruction

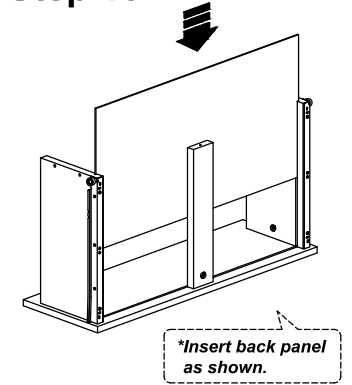
Step 8



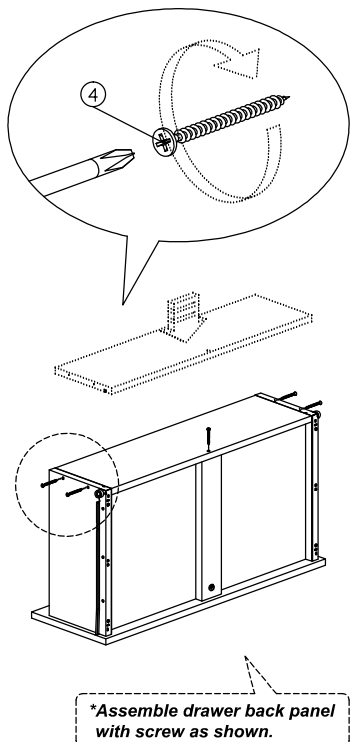
Step 9



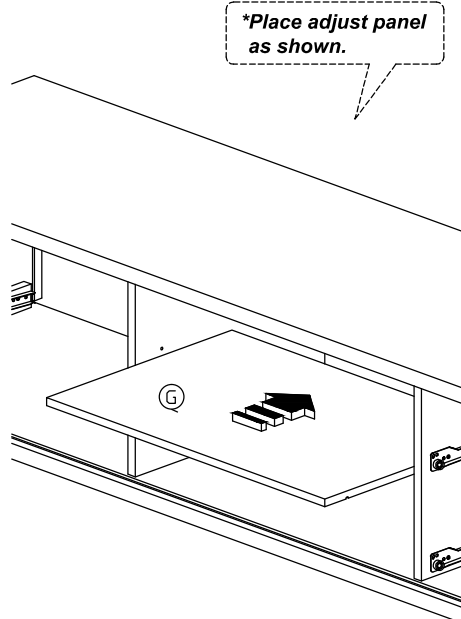
Step 10



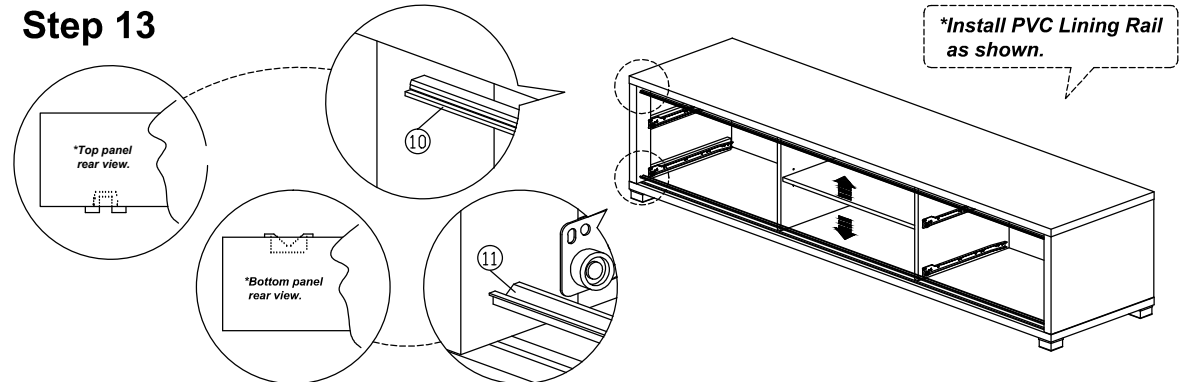
Step 11



Step 12



Step 13



Step 14

