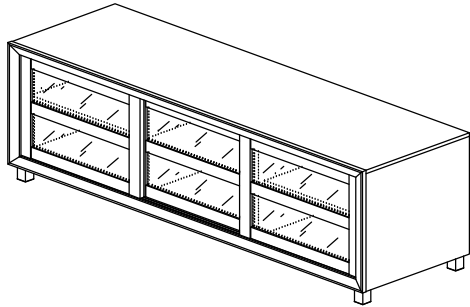
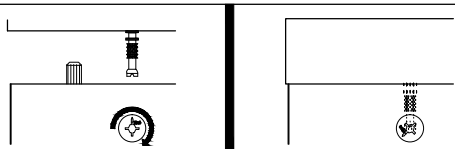


Assembly Instruction

Model : FTV - 4123

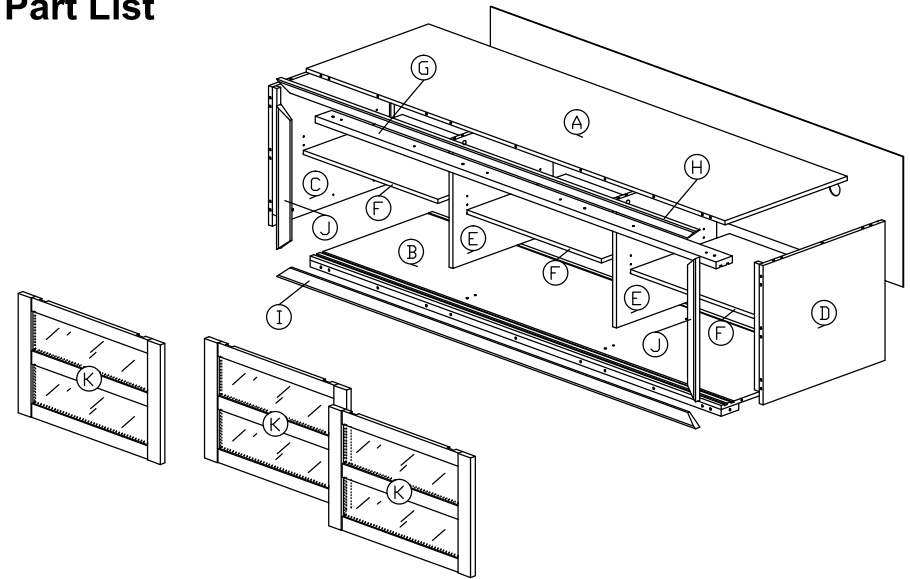


Dowel / Cam - Lock Installation

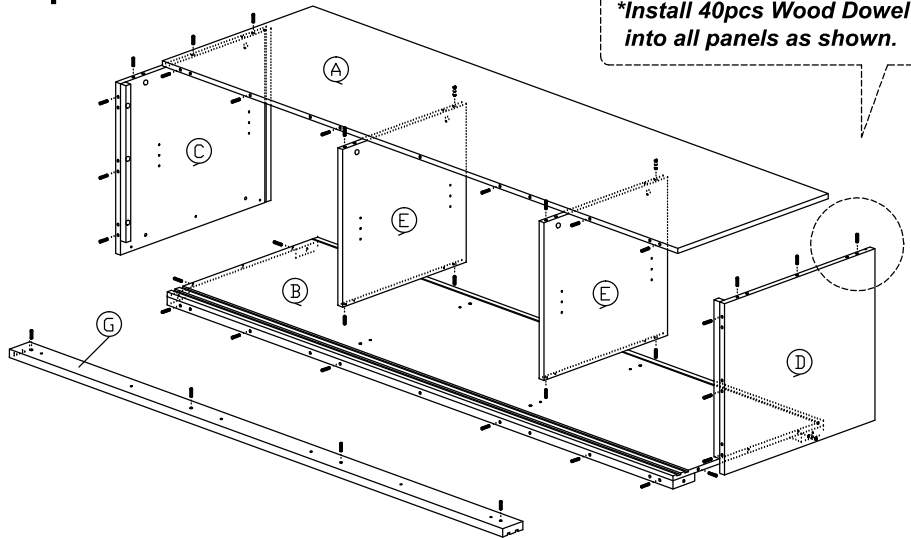


| Hardware List | | | |
|---------------|-------|-------------------------------------|--------|
| No. | SHAPE | DESCRIPTION | Qty. |
| 1 | | 8x25mm Wood Dowel | 40Pcs |
| 2 | | 15MM Titus Mini Fix | 30Sets |
| 3 | | M3x12mm Screw | 24Pcs |
| 4 | | M3.5x16mm Screw | 18Pcs |
| 5 | | M4x38mm Screw | 6Pcs |
| 6 | | M5x38mm Screw | 4Pcs |
| 7 | | Shelf Support | 12Pcs |
| 8 | | Nail | 6Pcs |
| 9 | | 15MM Minifix Cap | 14Pcs |
| 10 | | Plastic Sofa leg | 6Pcs |
| 11 | | PVC Sliding Lining - LH137 (1578mm) | 2Pcs |
| 12 | | PVC Sliding Lining - M118 (1616mm) | 2Pcs |
| 13 | | Sliding Roller T446 | 6Sets |

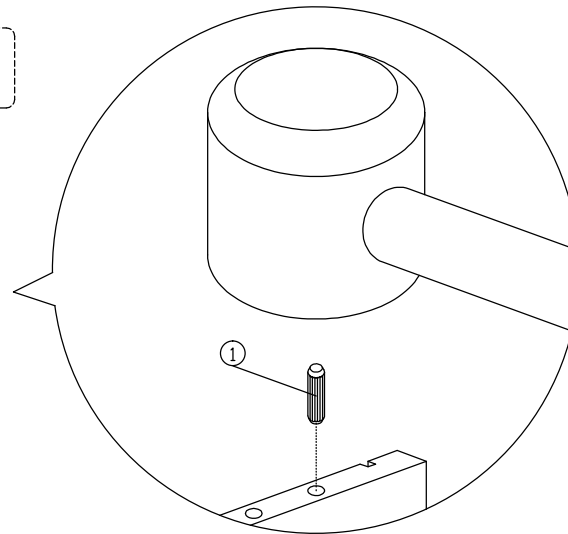
Part List



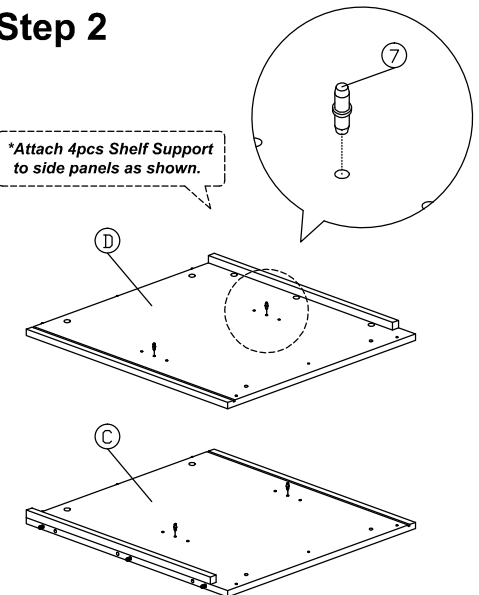
Step 1



*Install 40pcs Wood Dowel into all panels as shown.



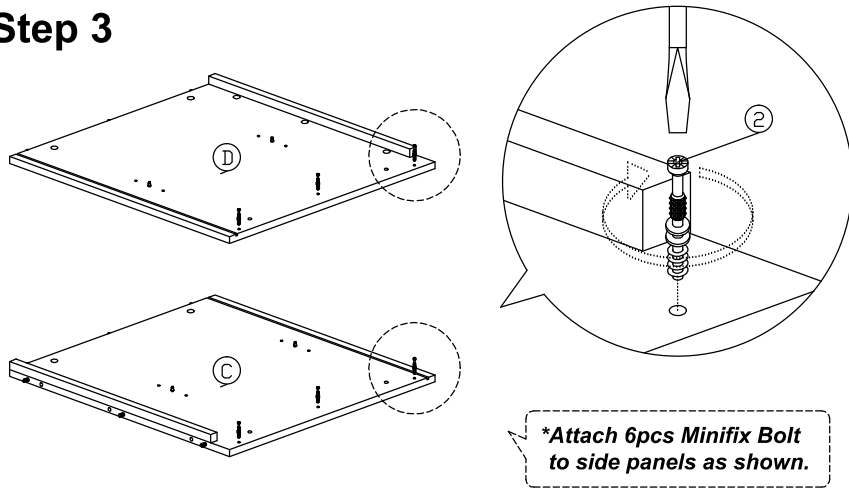
Step 2



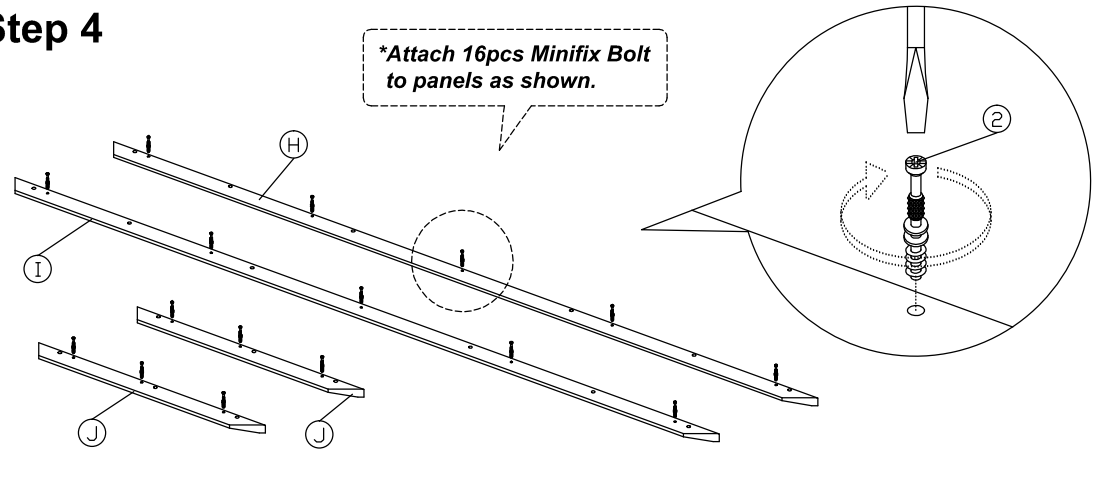
*Attach 4pcs Shelf Support to side panels as shown.

Assembly Instruction

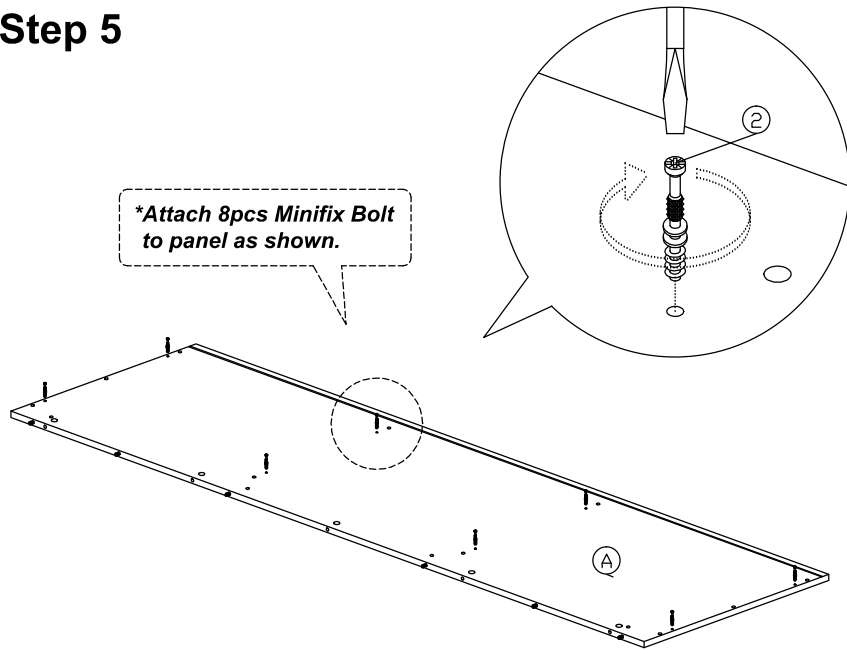
Step 3



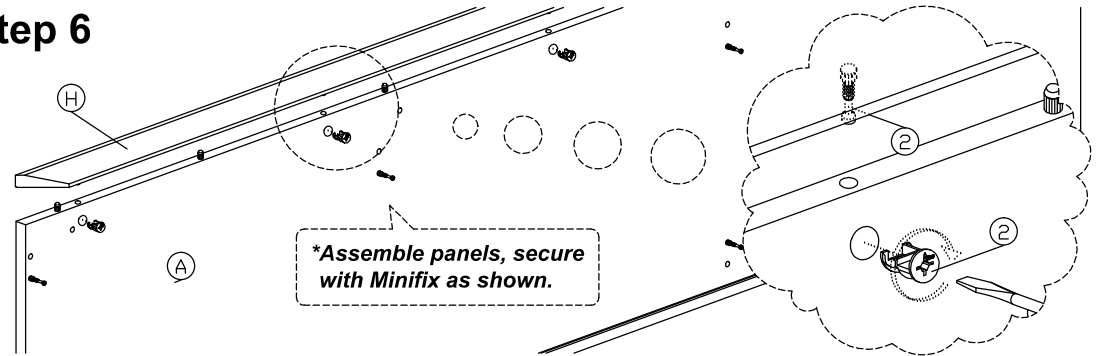
Step 4



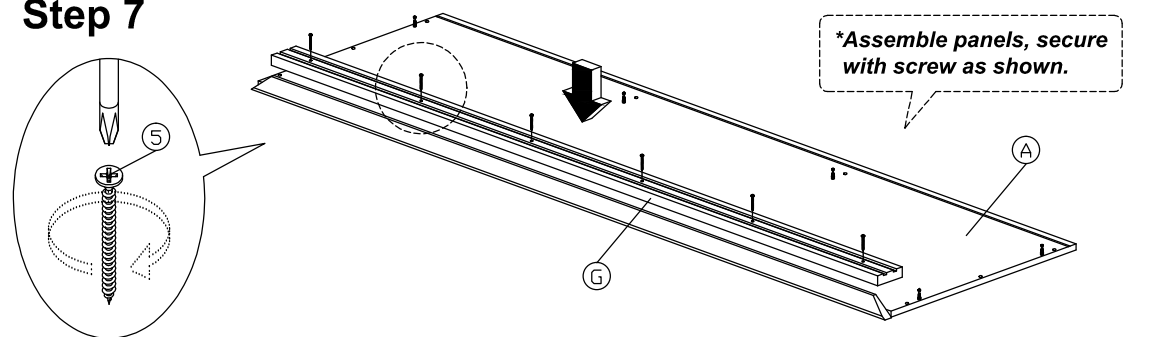
Step 5



Step 6



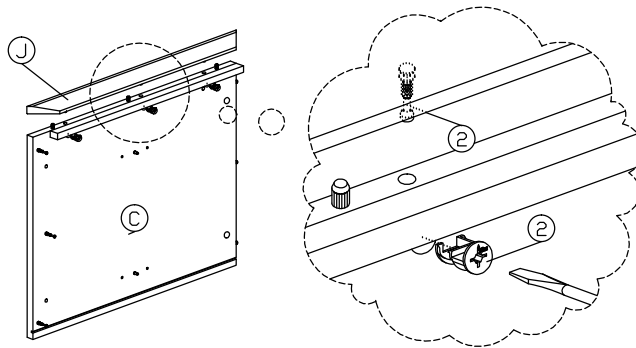
Step 7



Assembly Instruction

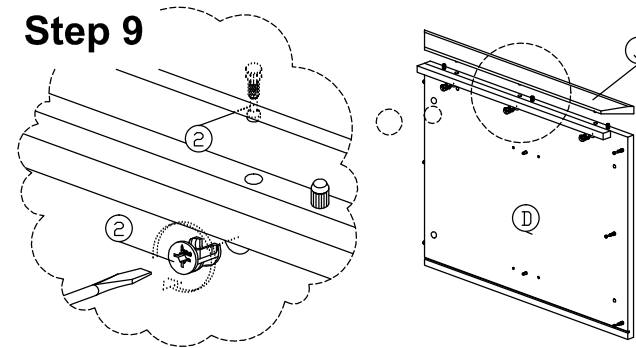
Step 8

*Assemble panels, secure with Minifix as shown.



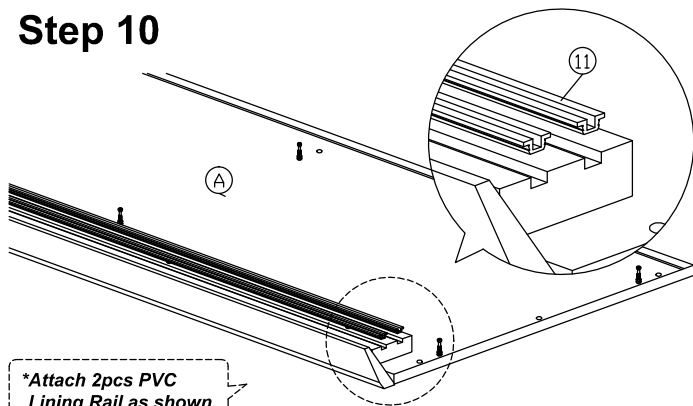
Step 9

*Assemble panels, secure with Minifix as shown.



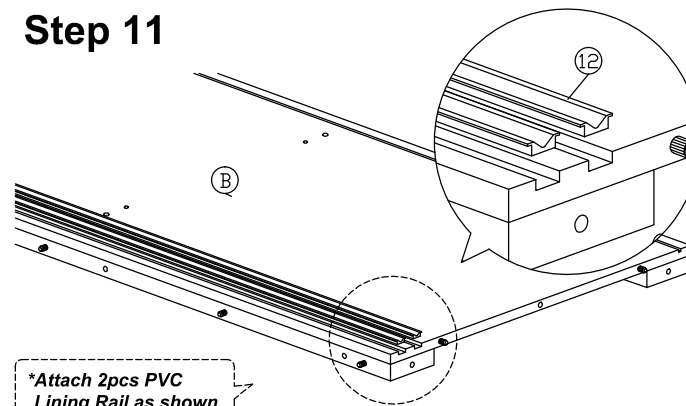
Step 10

*Attach 2pcs PVC Lining Rail as shown.



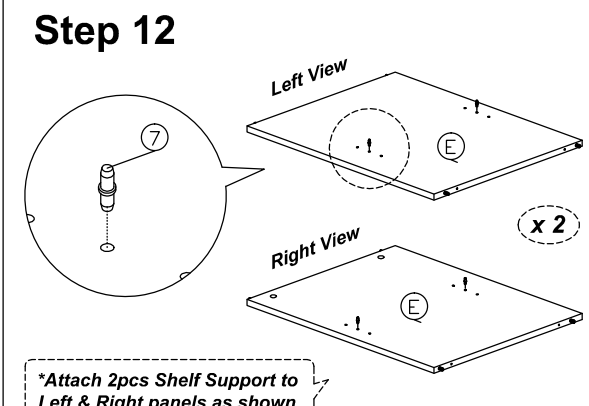
Step 11

*Attach 2pcs PVC Lining Rail as shown.



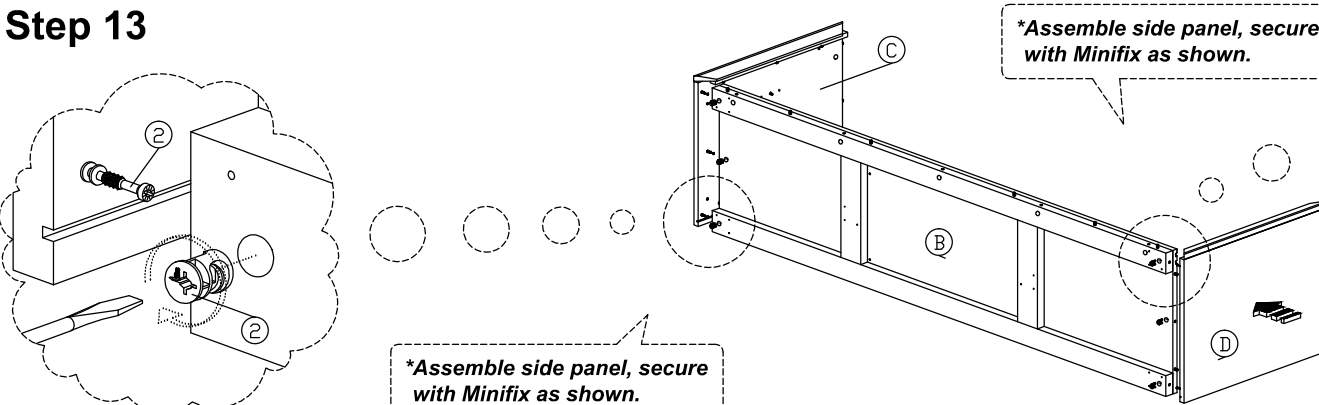
Step 12

*Attach 2pcs Shelf Support to Left & Right panels as shown.

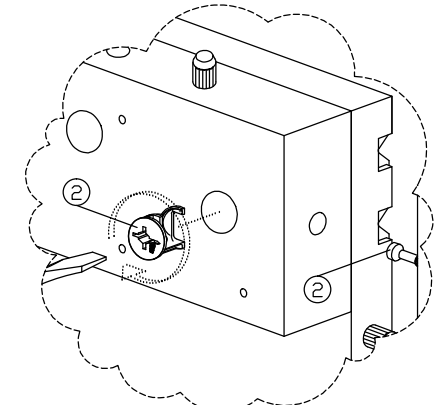


Step 13

*Assemble side panel, secure with Minifix as shown.



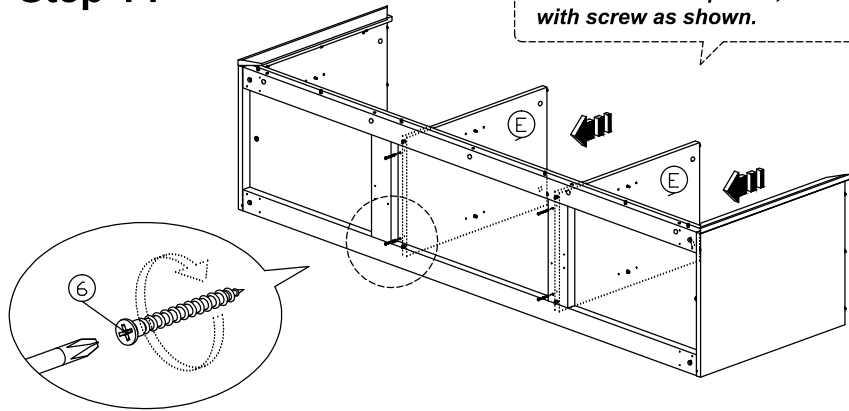
*Assemble side panel, secure with Minifix as shown.



Assembly Instruction

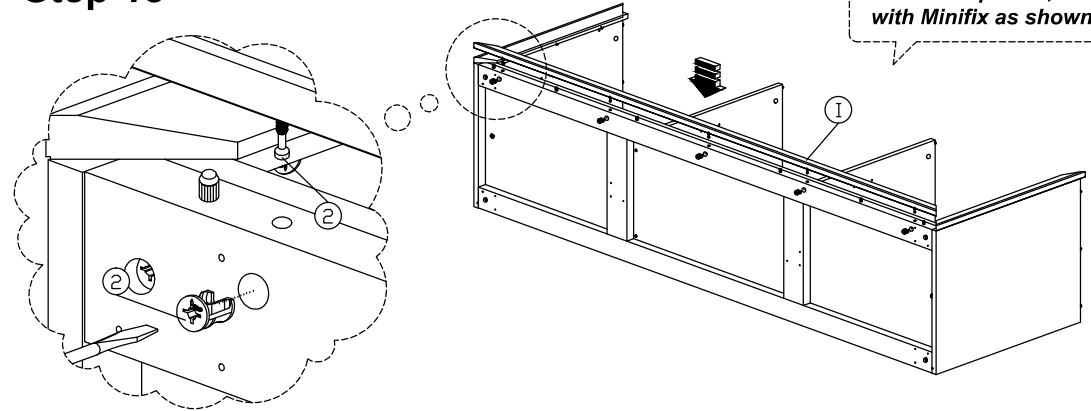
Step 14

**Assemble stand panels, secure with screw as shown.*



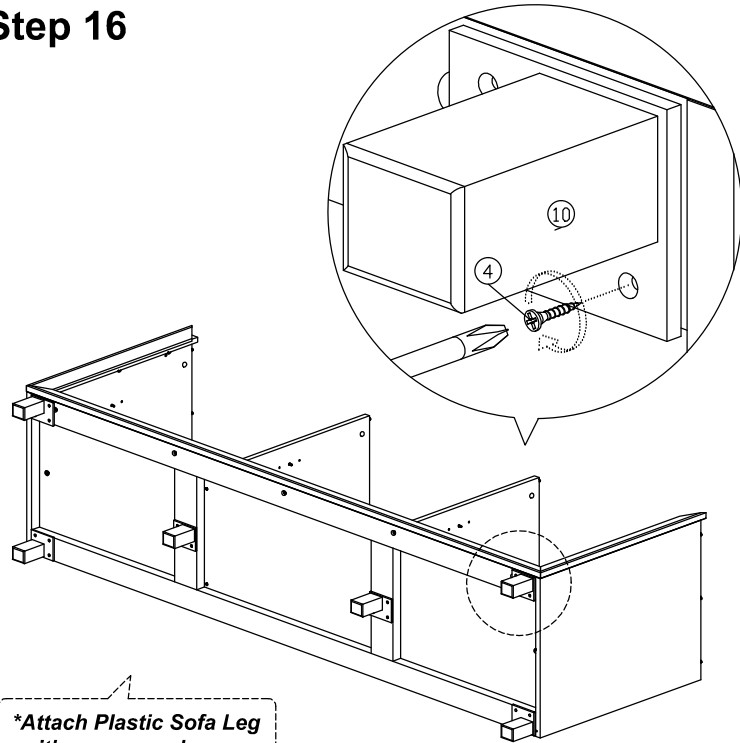
Step 15

**Assemble panels, secure with Minifix as shown.*



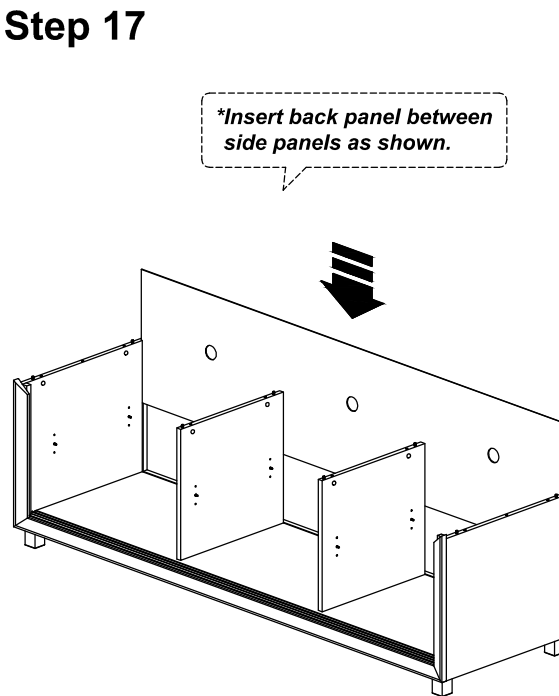
Step 16

**Attach Plastic Sofa Leg with screw as shown.*



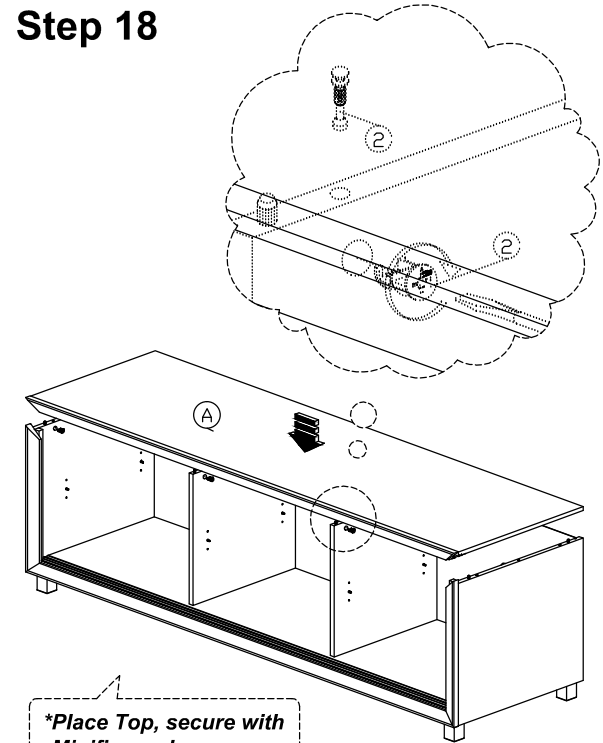
Step 17

**Insert back panel between side panels as shown.*



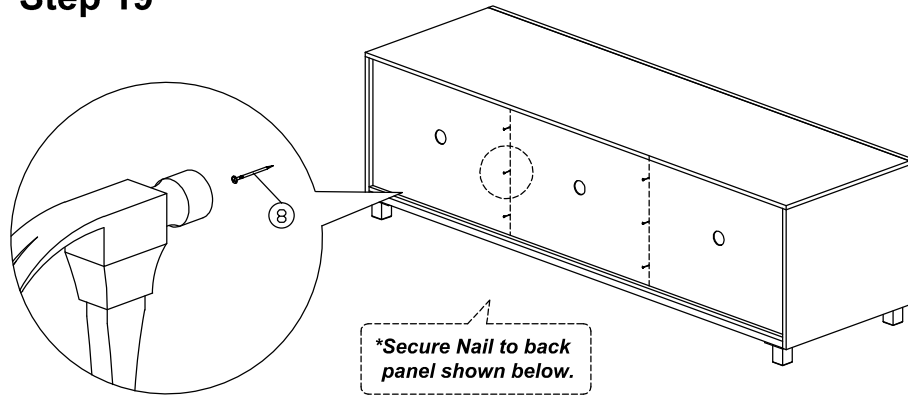
Step 18

**Place Top, secure with Minifix as shown.*

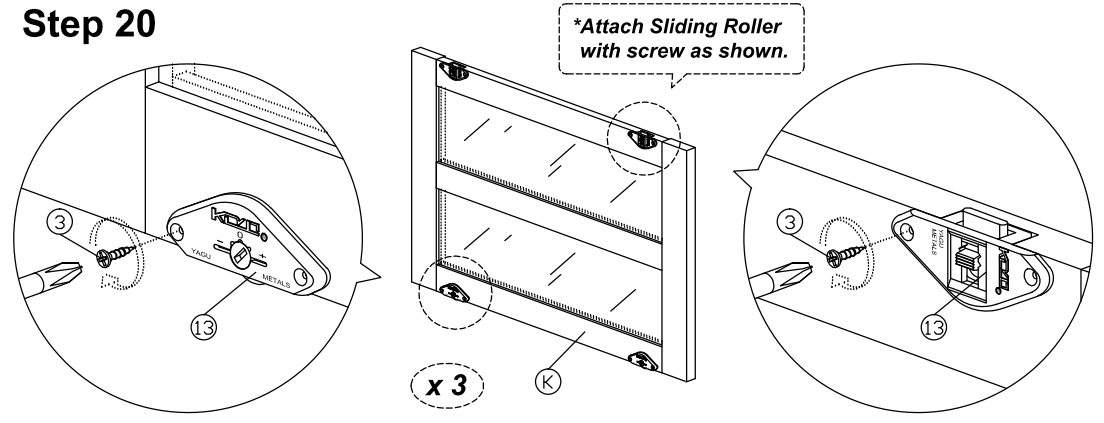


Assembly Instruction

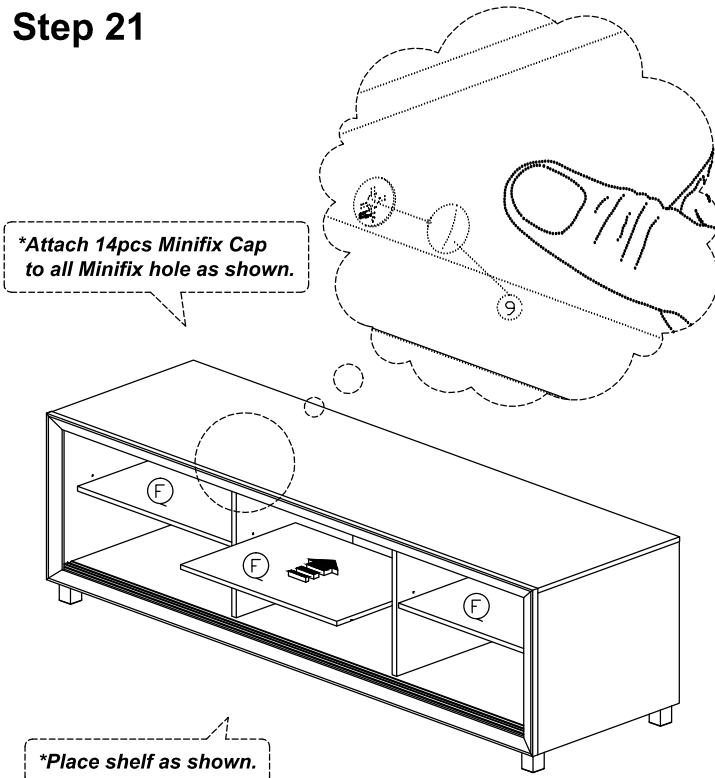
Step 19



Step 20



Step 21



Step 22

