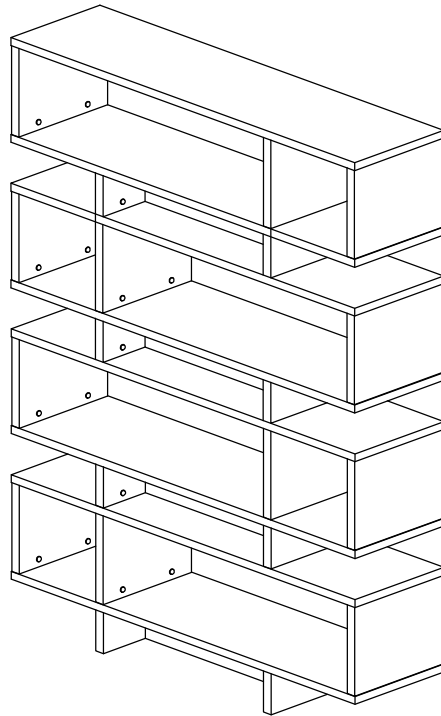
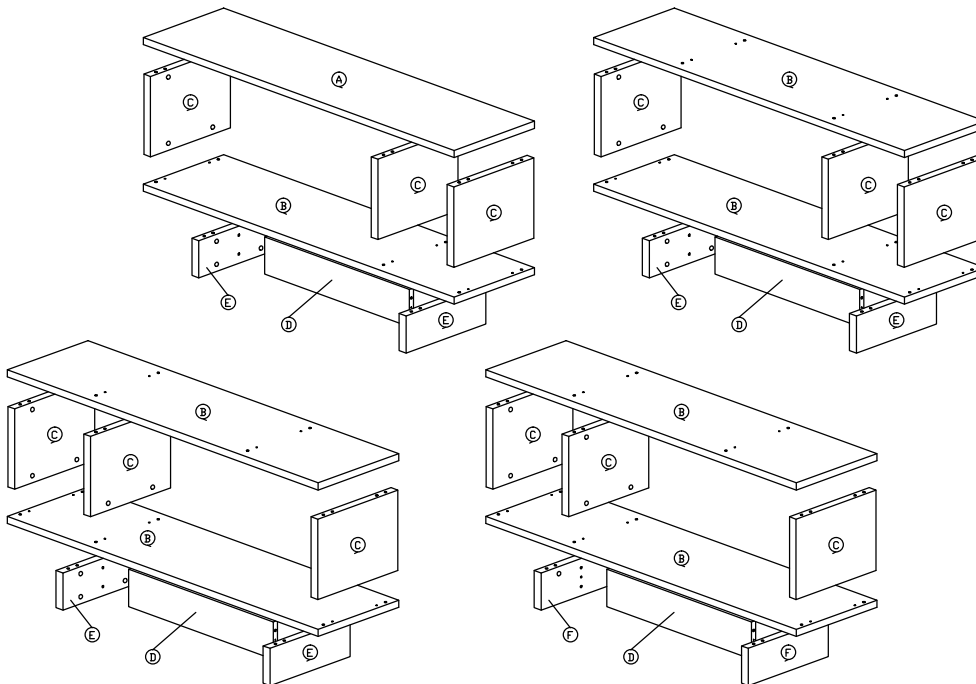


Assembly Instruction

Model : WI5056



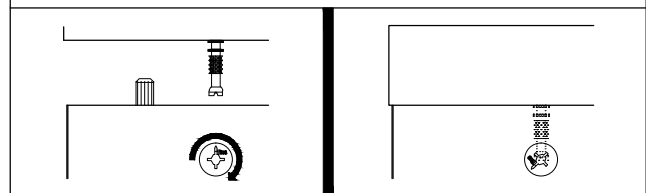
Part List



Hardware List

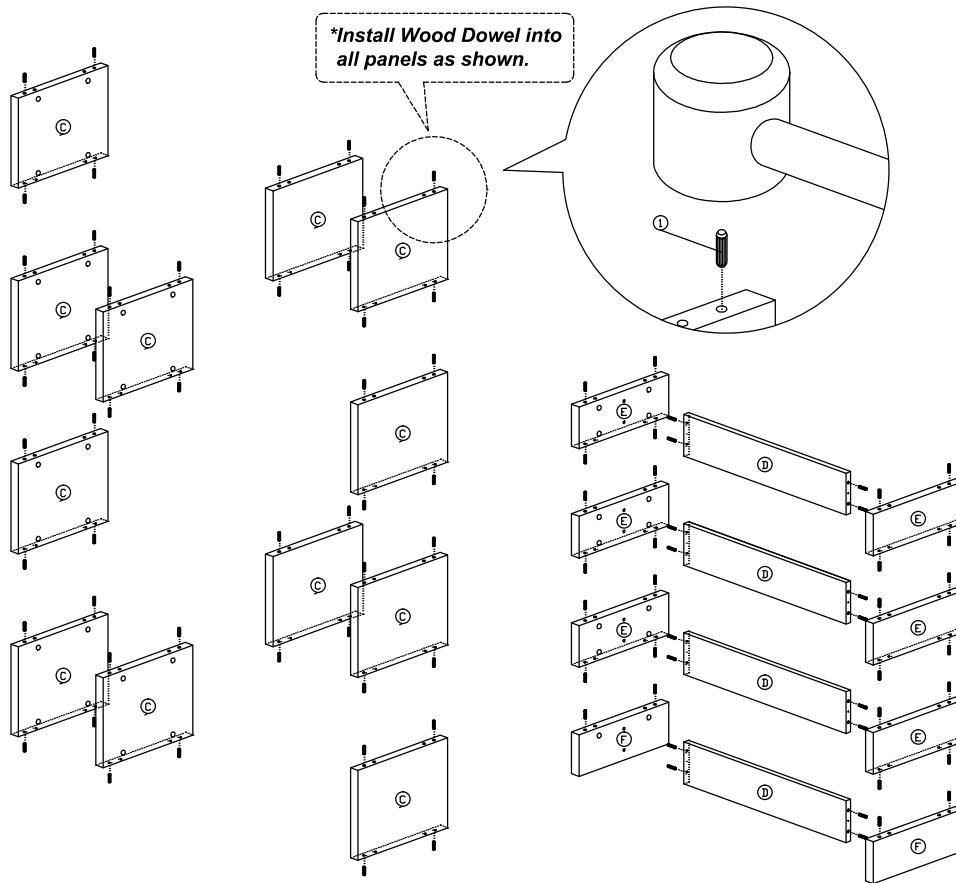
No.	SHAPE	DESCRIPTION	Qty.
1		8x25mm Wood Dowel	92Pcs
2		15MM Titus Mini Fix	76Sets
3		M4x50mm Screw	2Pcs
4		15mm Minifix Cap	76Pcs
5		Screw Cap	2Pcs
6		Nail Leg	4Pcs

Dowel / Cam - Lock Installation

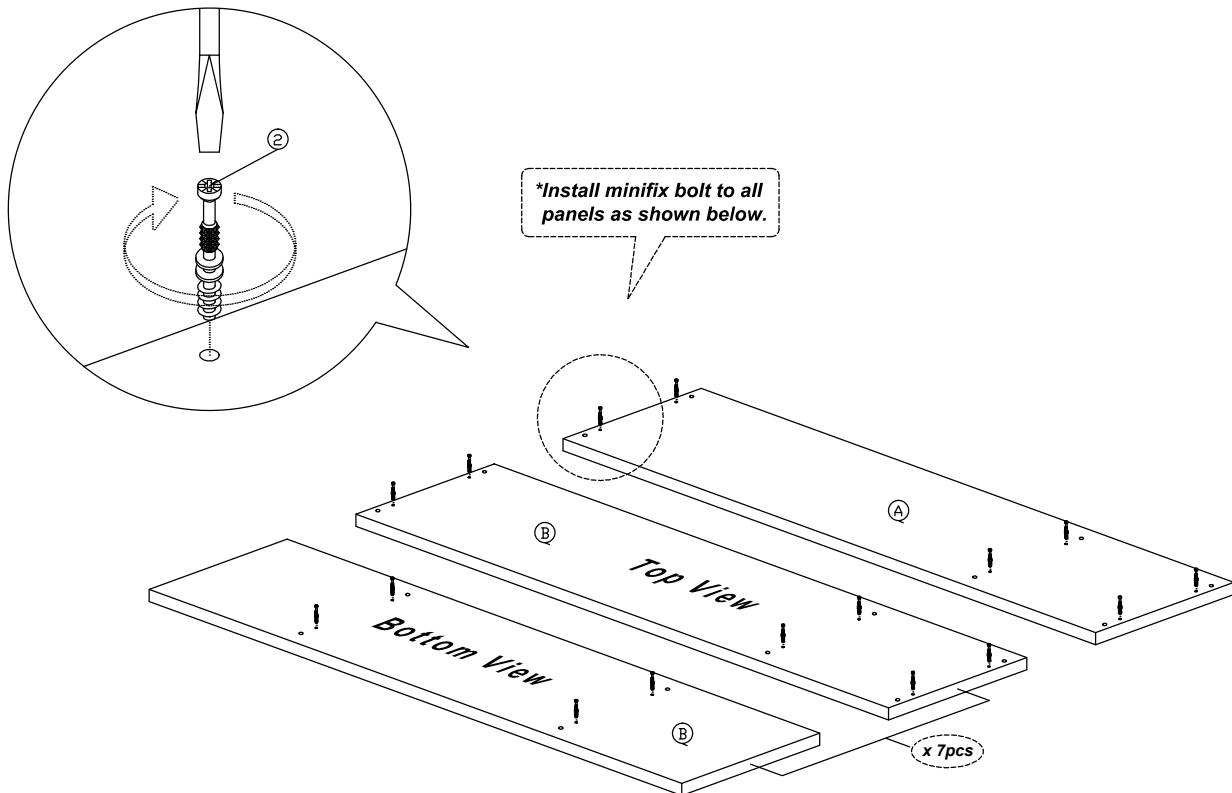


Assembly Instruction

Step 1

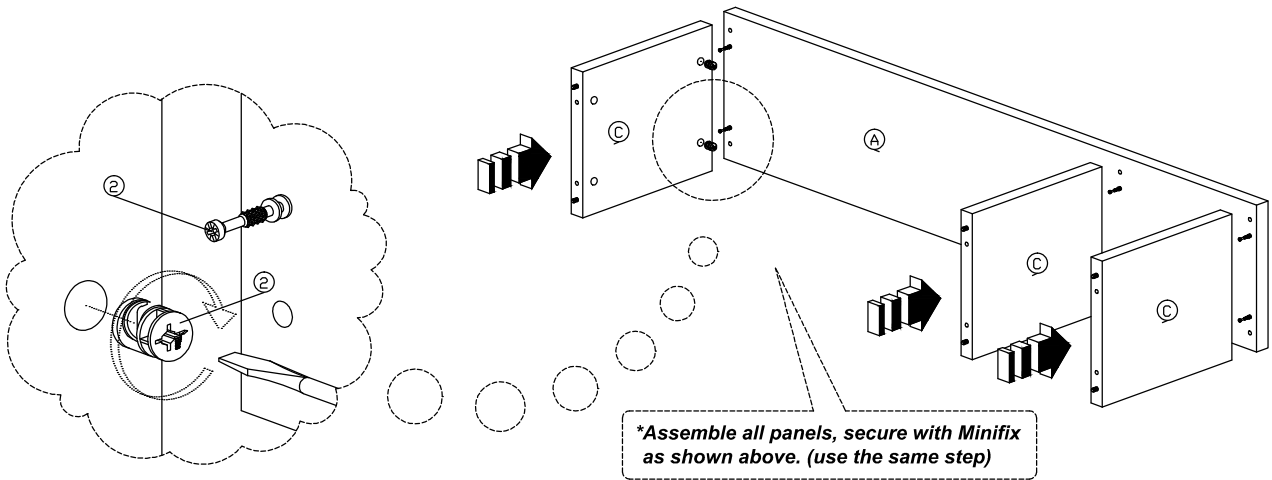


Step 2

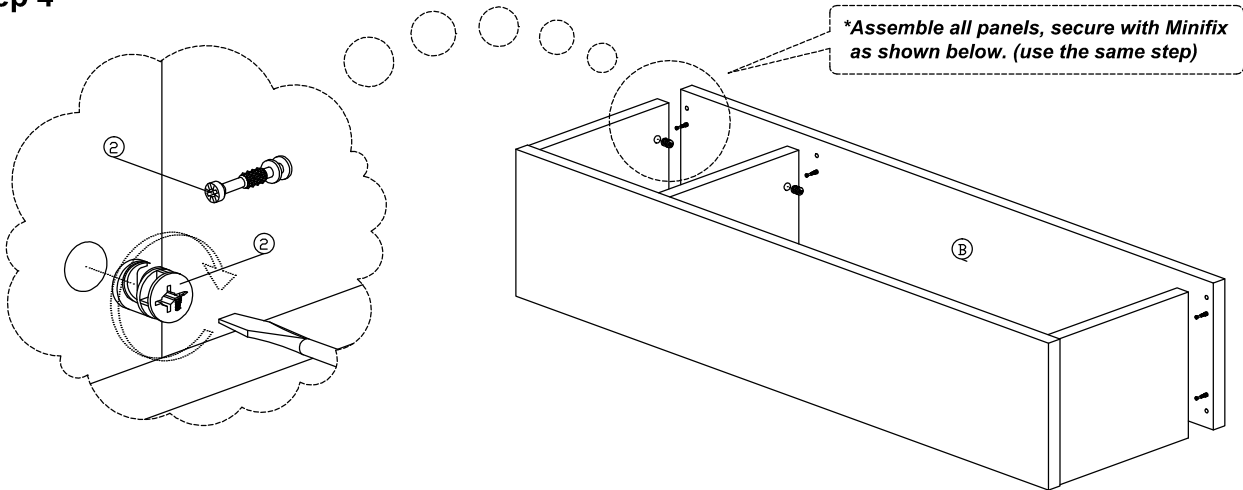


Assembly Instruction

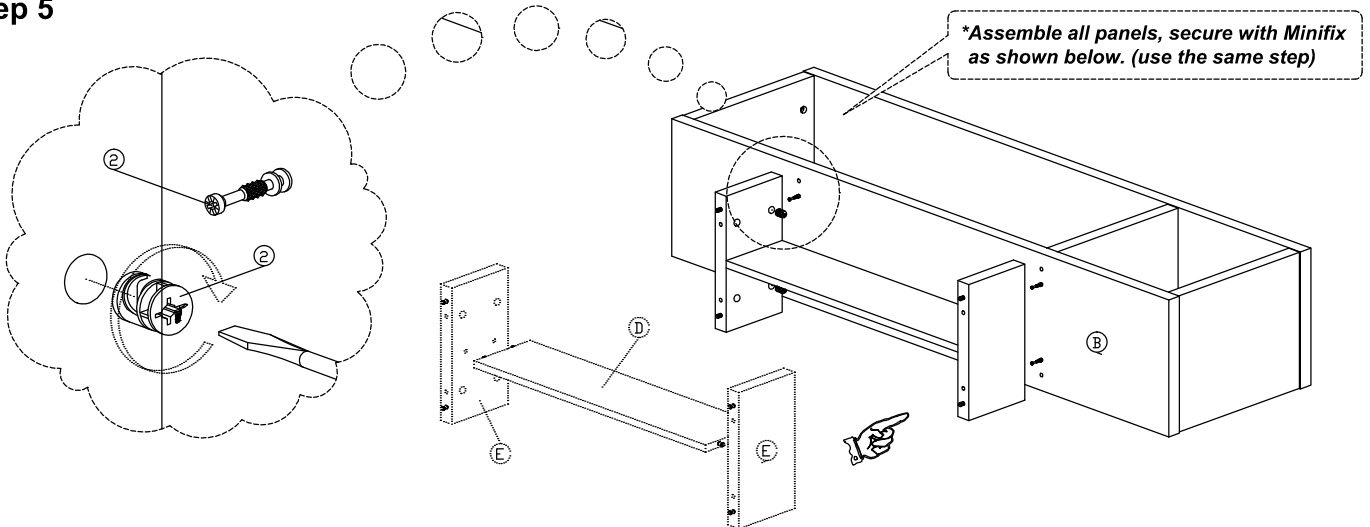
Step 3



Step 4

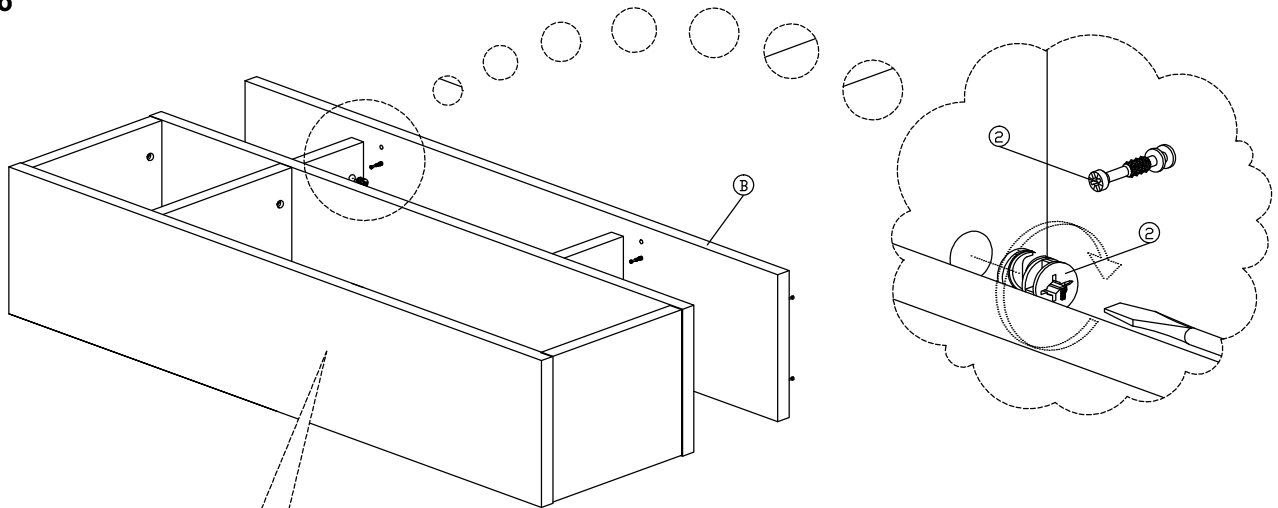


Step 5



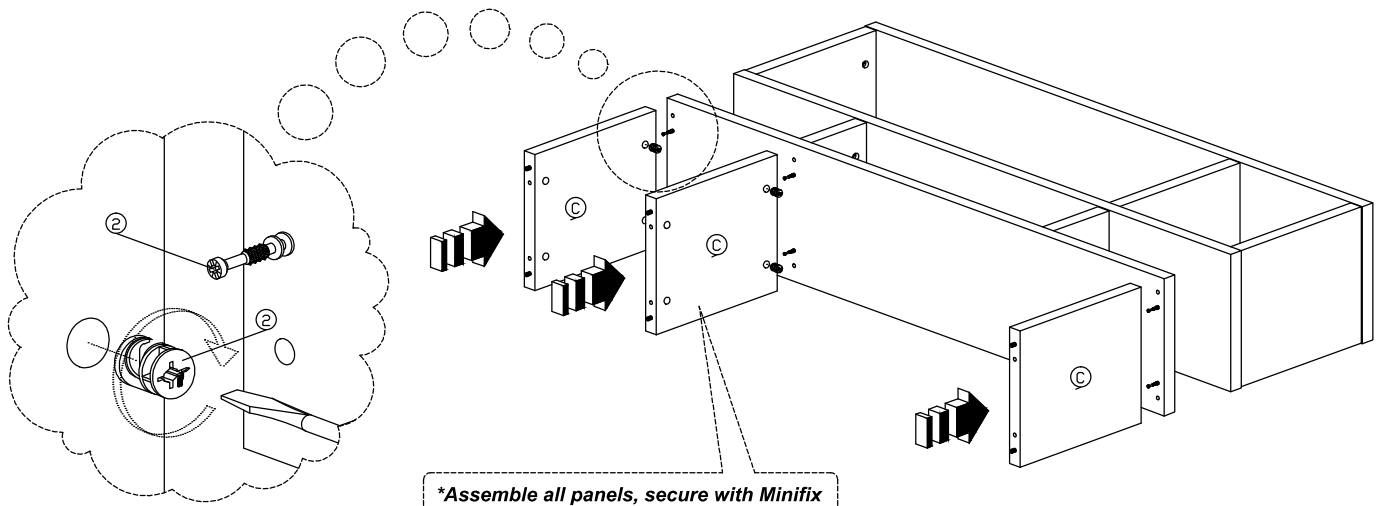
Assembly Instruction

Step 6



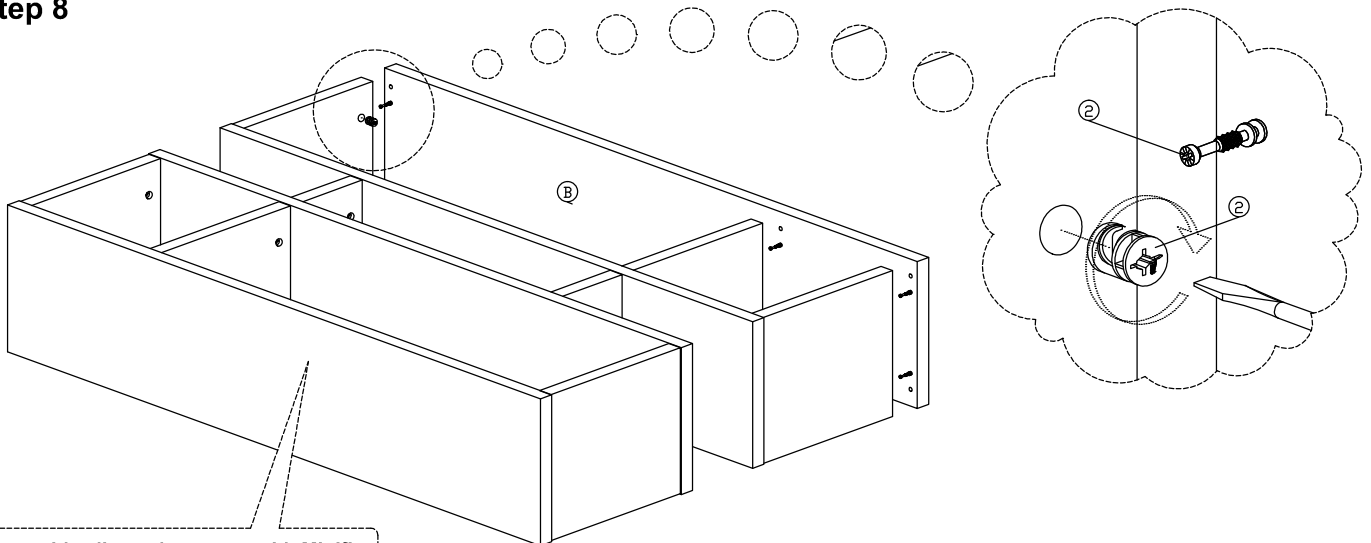
**Assemble all panels, secure with Minifix as shown above. (use the same step)*

Step 7



**Assemble all panels, secure with Minifix as shown above. (use the same step)*

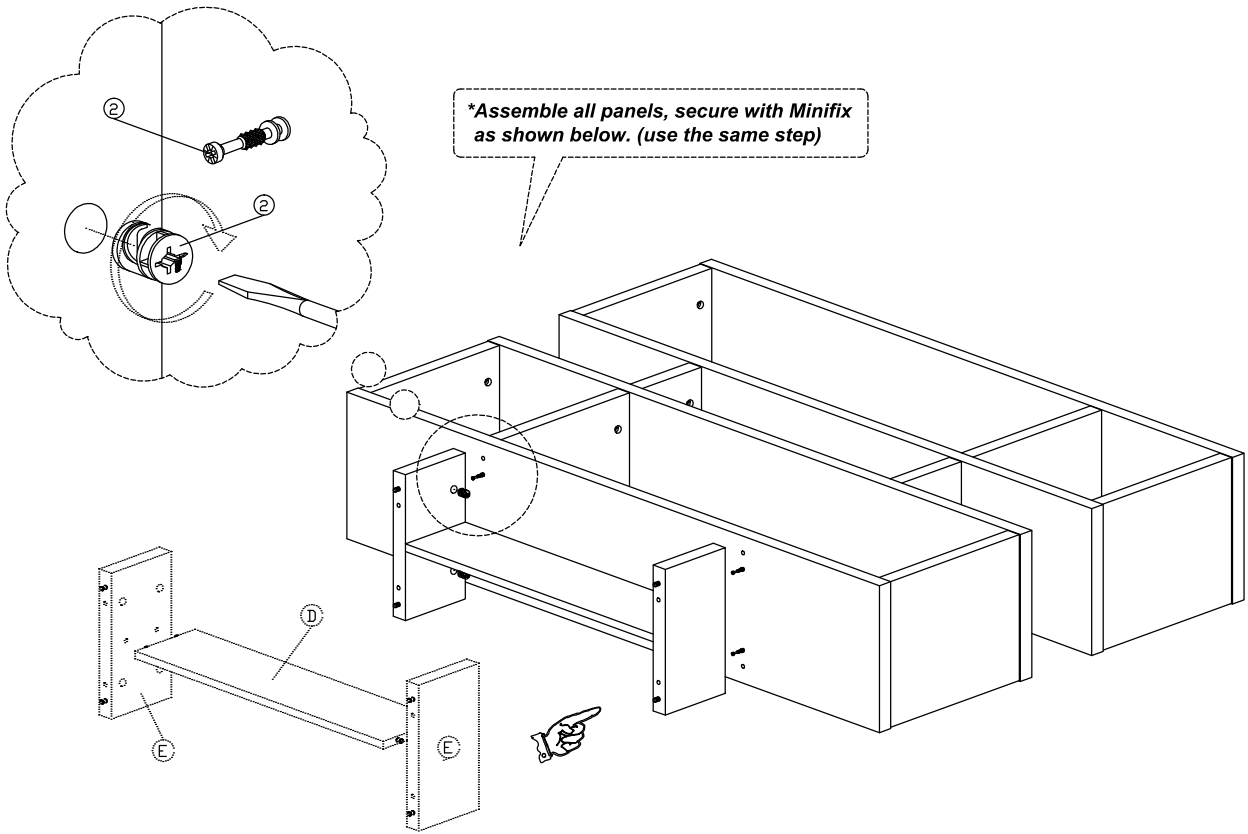
Step 8



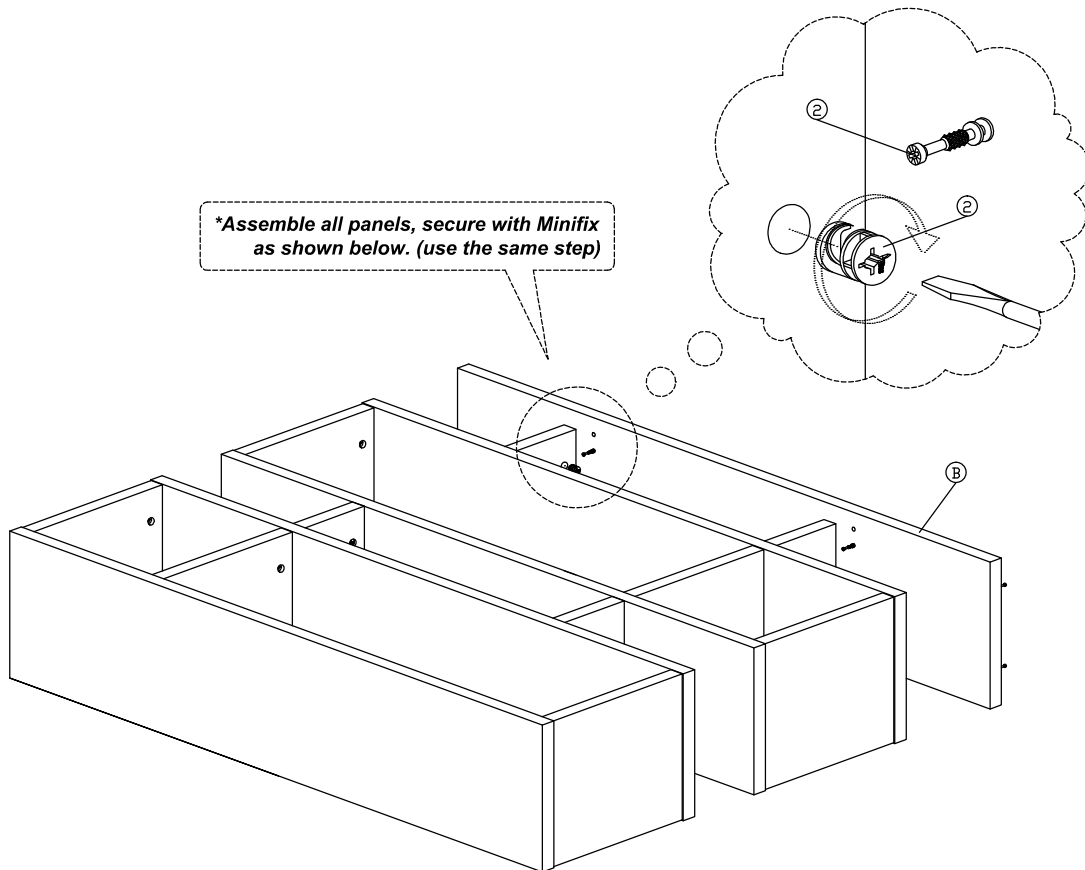
**Assemble all panels, secure with Minifix as shown above. (use the same step)*

Assembly Instruction

Step 9

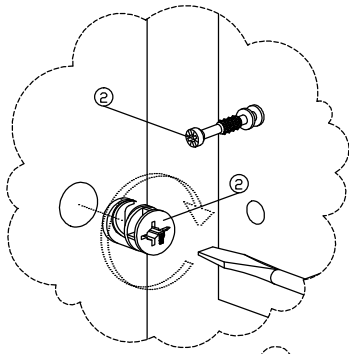


Step 10

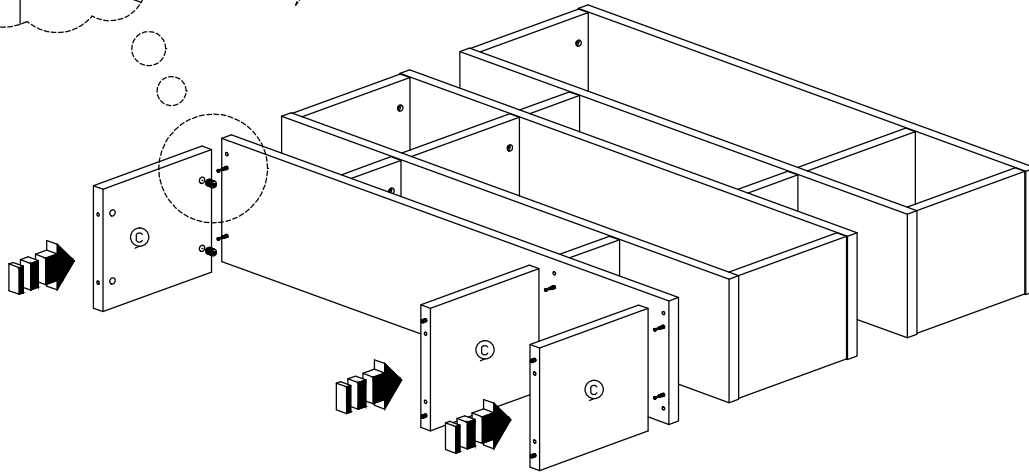


Assembly Instruction

Step 11

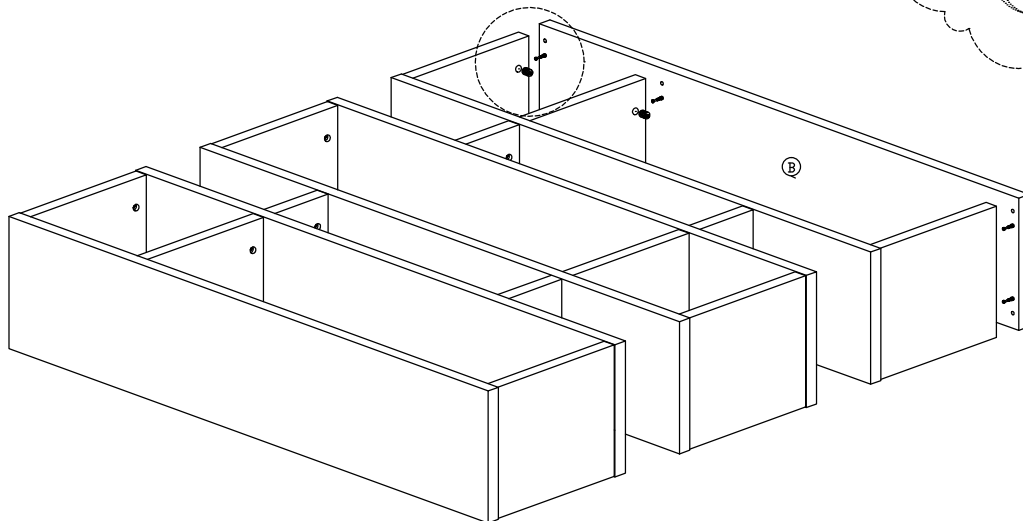
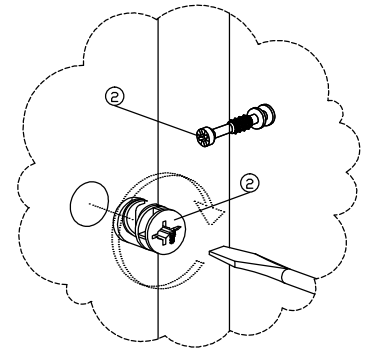


**Assemble all panels, secure with Minifix as shown above. (use the same step)*



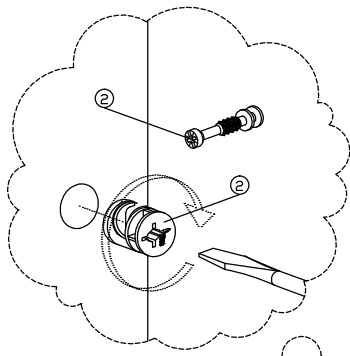
Step 12

**Assemble all panels, secure with Minifix as shown above. (use the same step)*

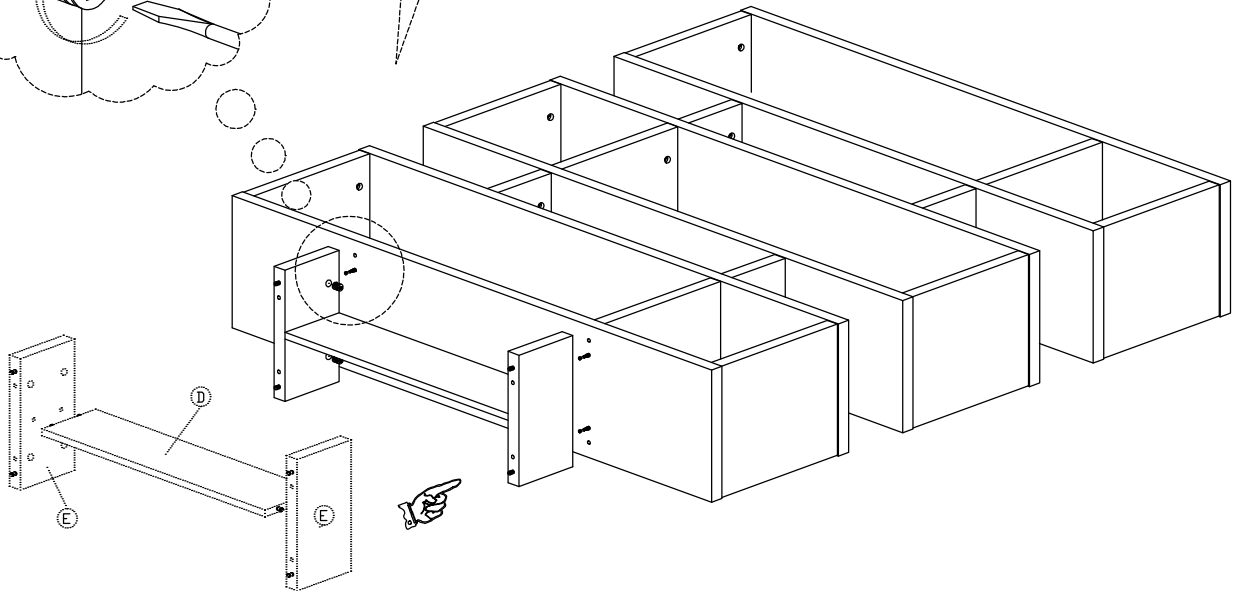


Assembly Instruction

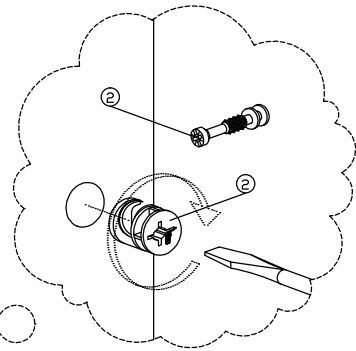
Step 13



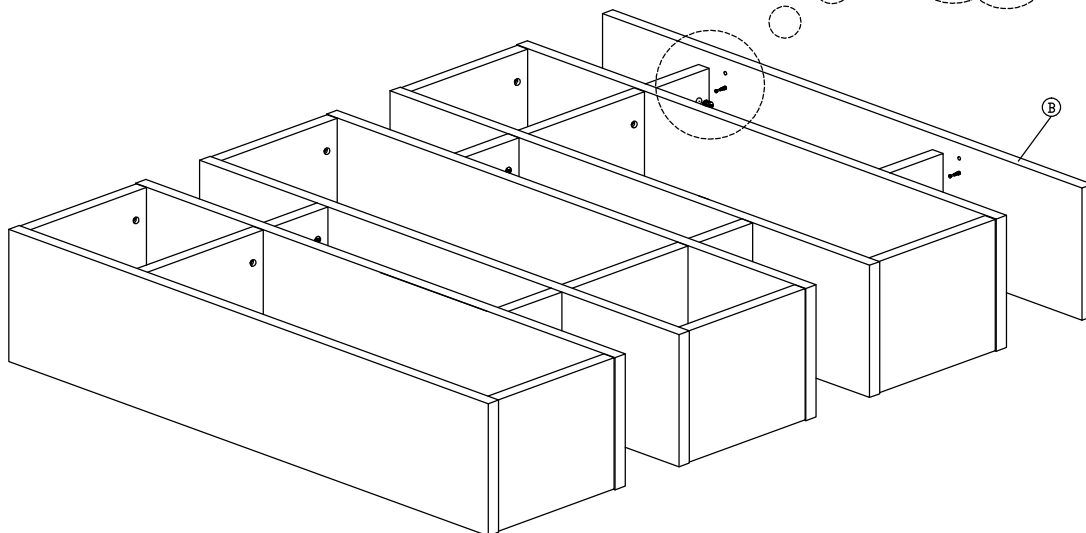
**Assemble all panels, secure with Minifix as shown below. (use the same step)*



Step 14

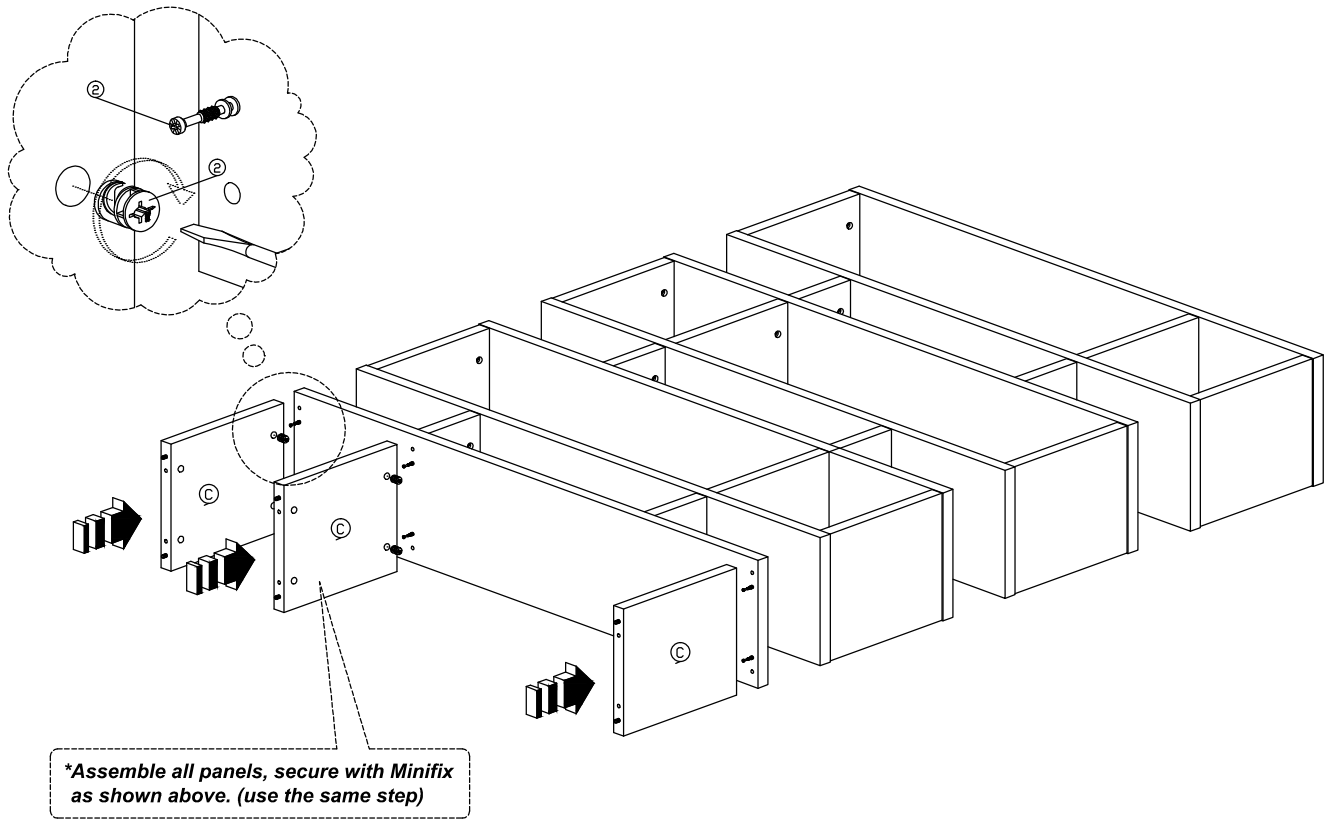


**Assemble all panels, secure with Minifix as shown below. (use the same step)*

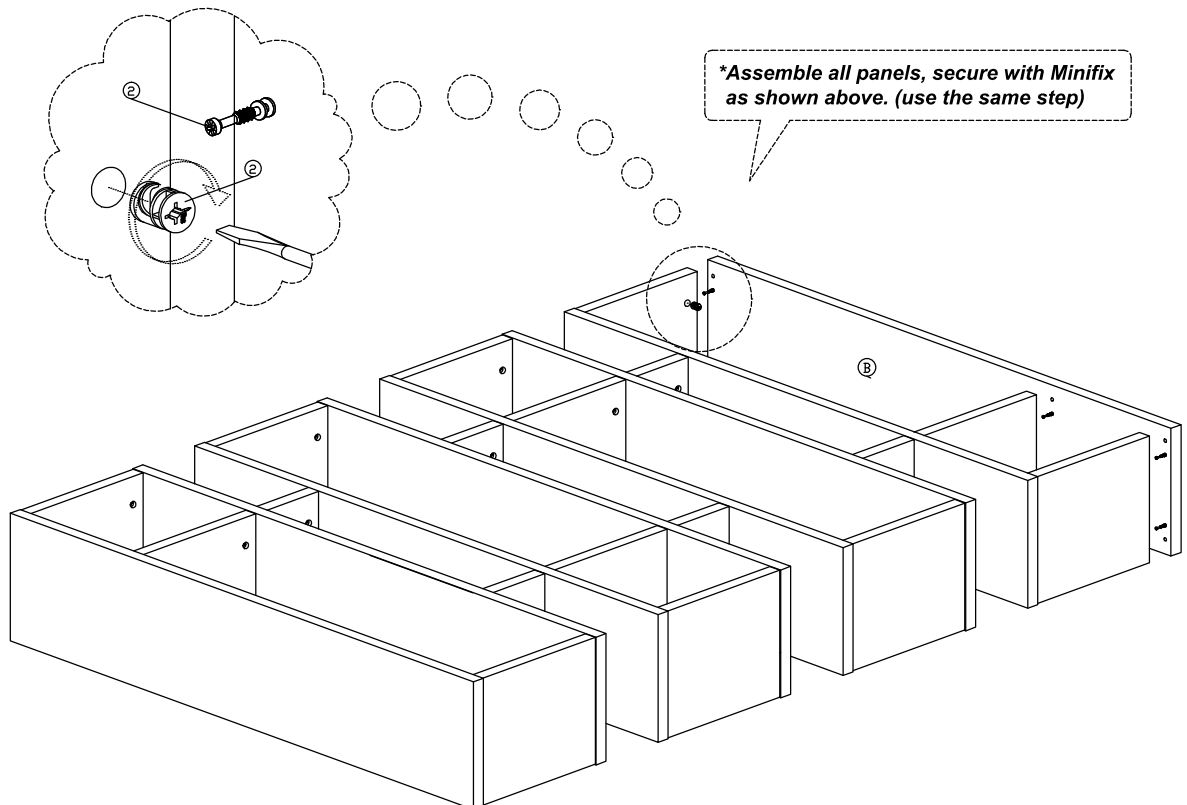


Assembly Instruction

Step 15

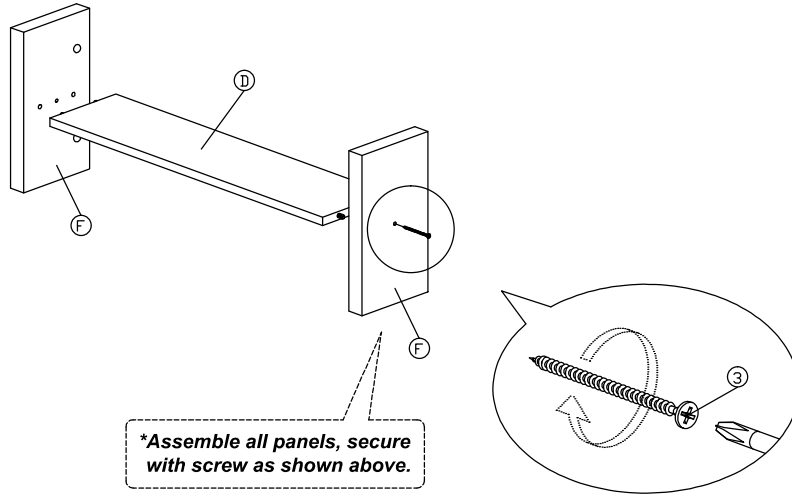


Step 16

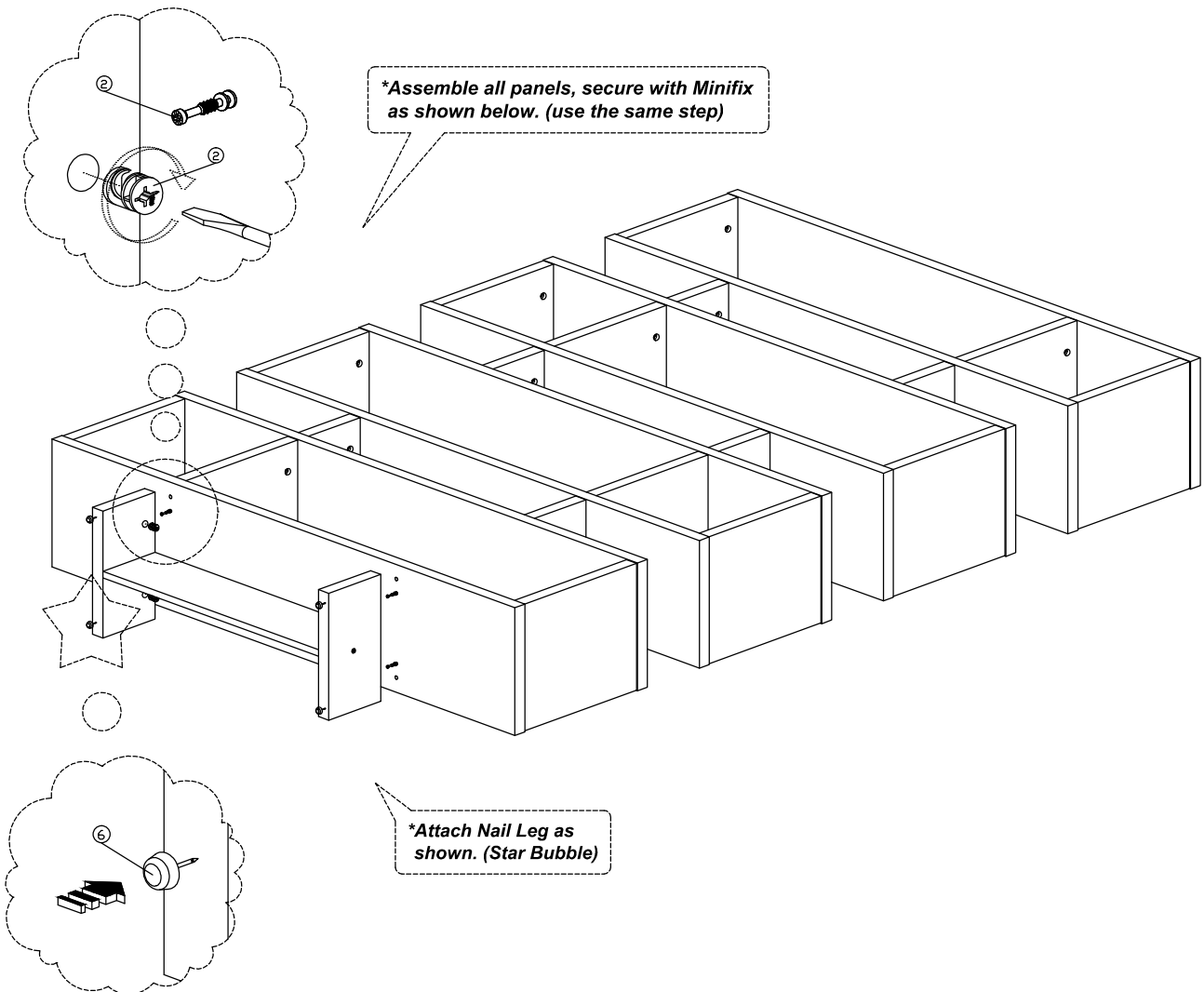


Assembly Instruction

Step 17



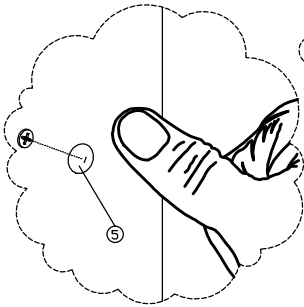
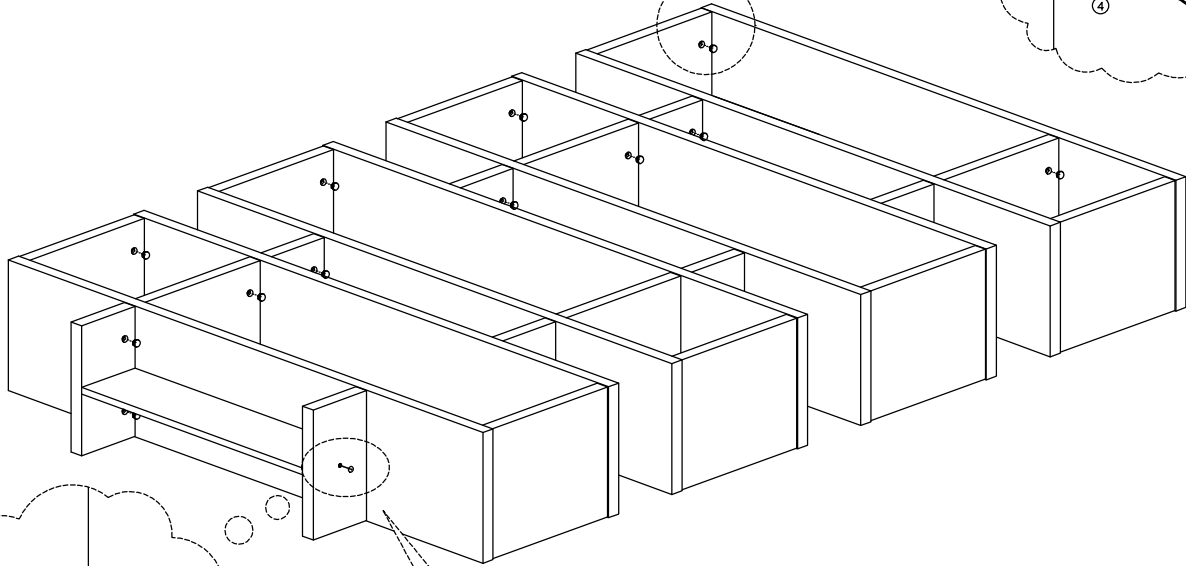
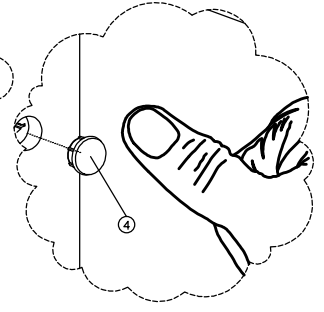
Step 18



Assembly Instruction

Step 19

**Attach Minifix Cap to all panels as shown.*



**Attach Screw Cap to both panels as shown.*

Complete

