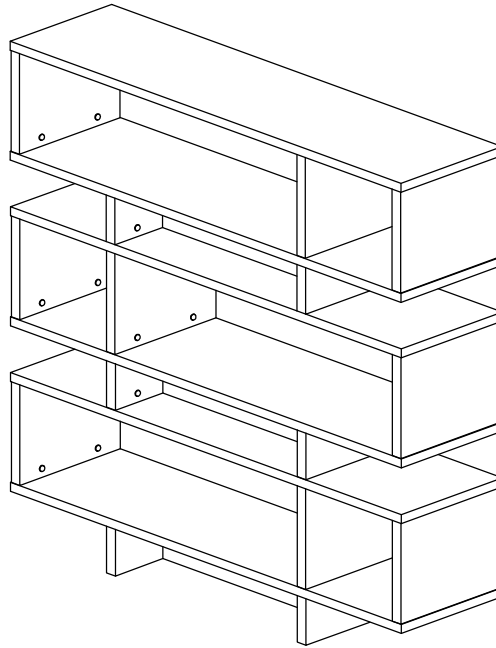
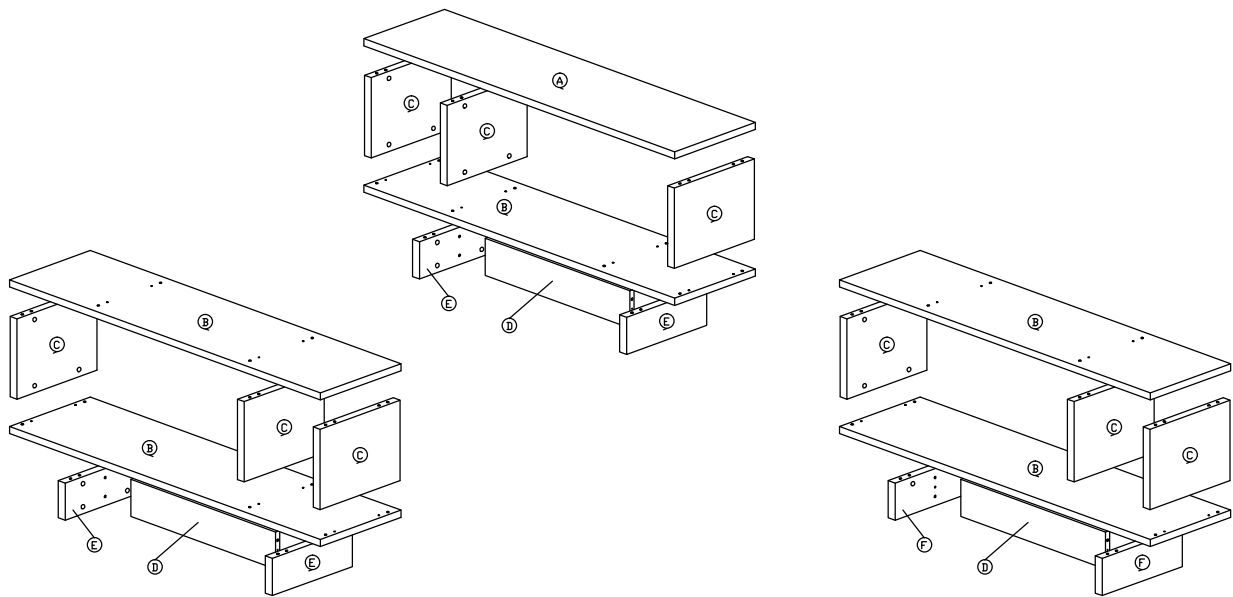


# Assembly Instruction

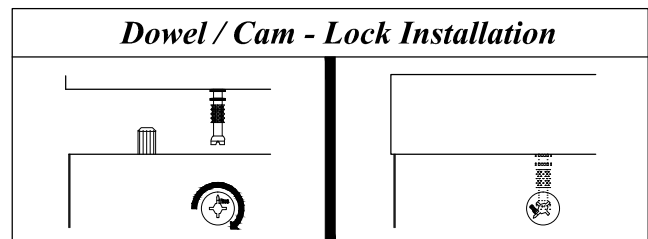
Model : WI5055



## Part List

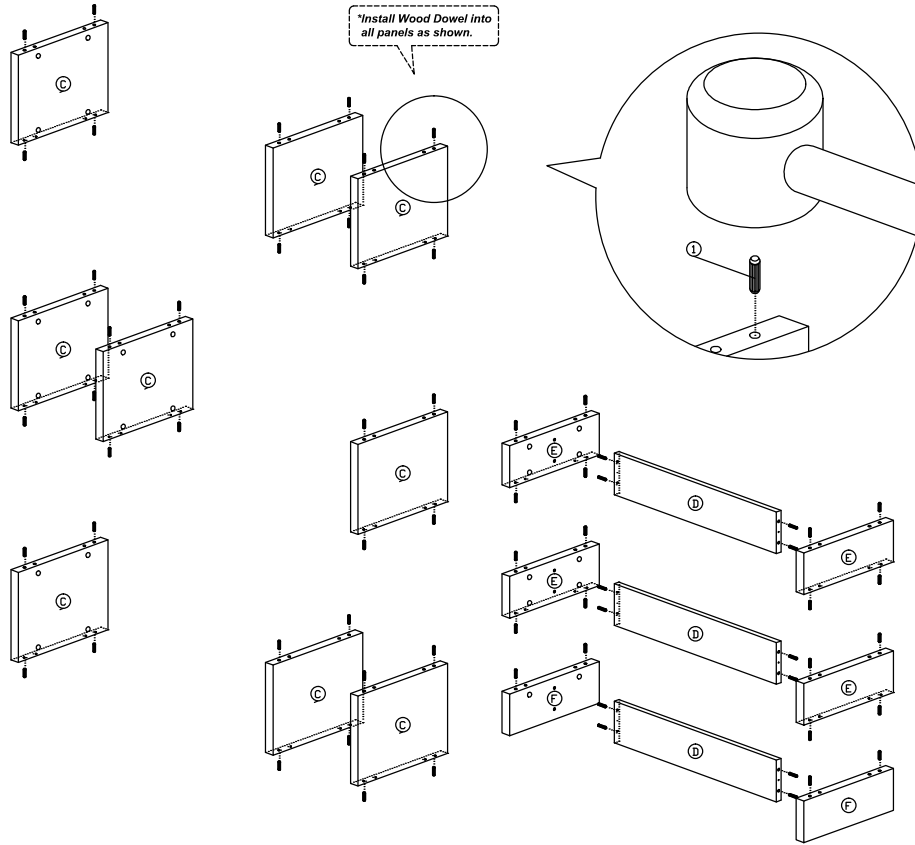


<i>Hardware List</i>			
No.	SHAPE	DESCRIPTION	Qty.
1		<b>8x25mm Wood Dowel</b>	68Pcs
2		<b>15MM Titus Mini Fix</b>	56Sets
3		<b>M4x50mm Screw</b>	2Pcs
4		<b>15mm Minifix Cap</b>	56Pcs
5		<b>Screw Cap</b>	2Pcs
6		<b>Nail Leg</b>	4Pcs

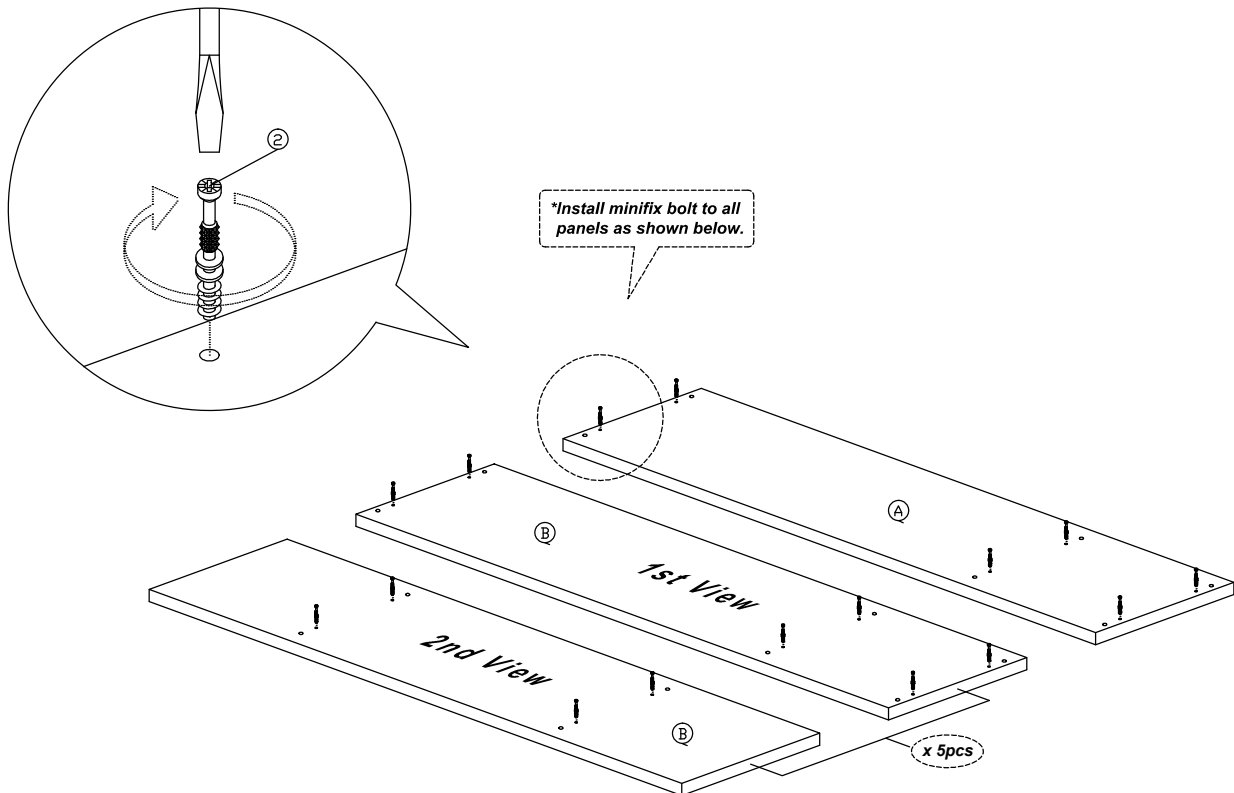


# Assembly Instruction

## Step 1

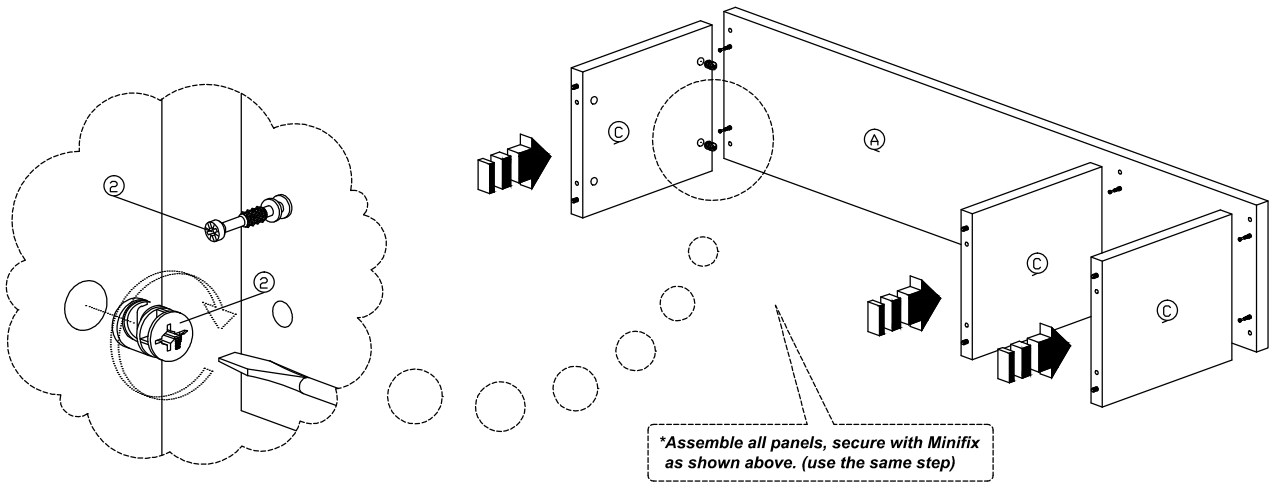


## Step 2

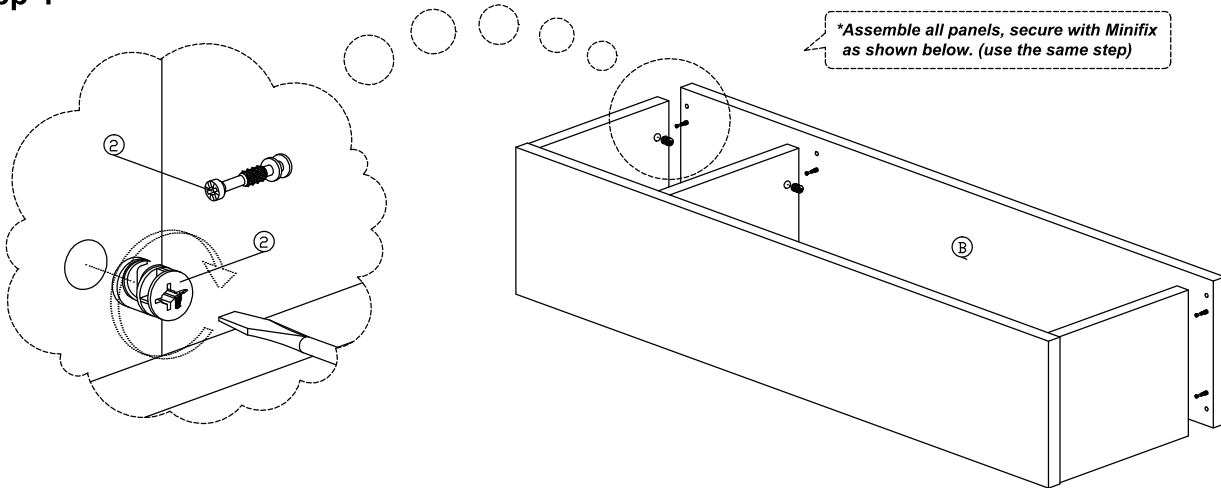


# Assembly Instruction

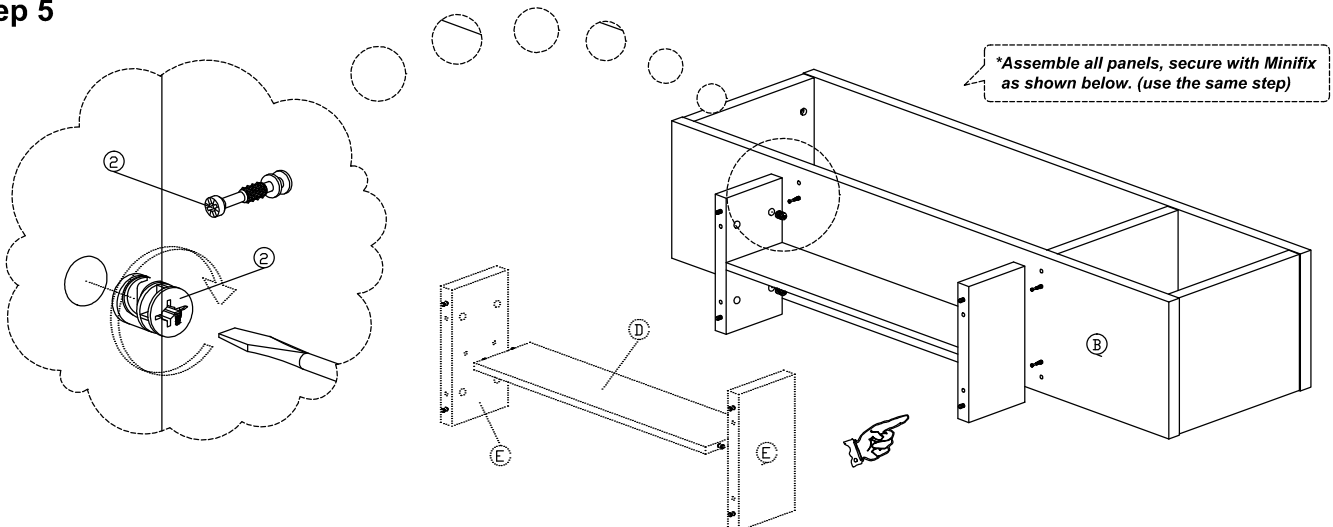
## Step 3



## Step 4

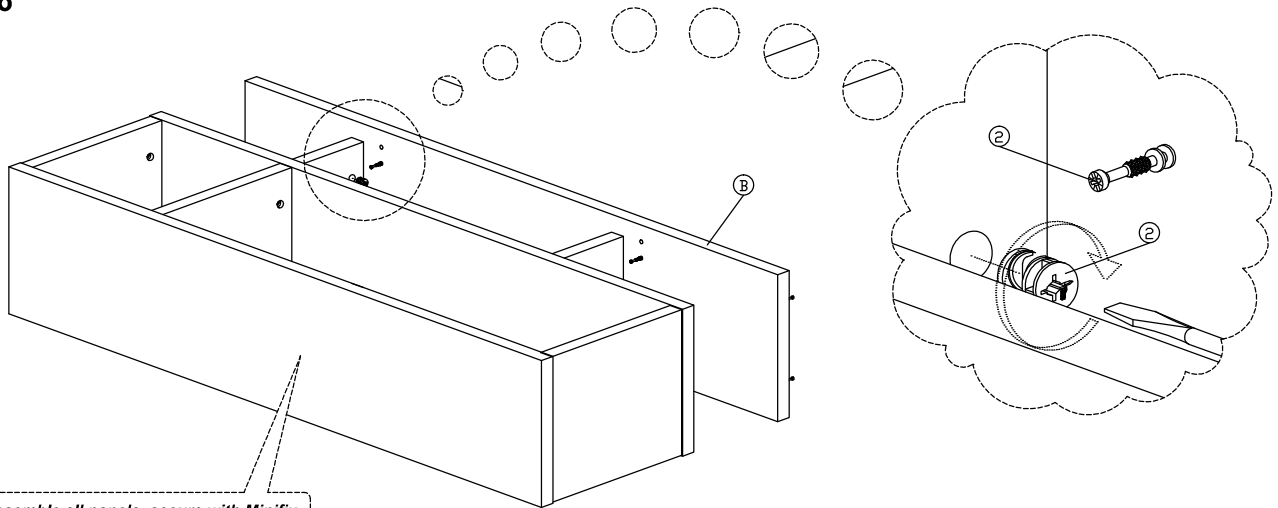


## Step 5



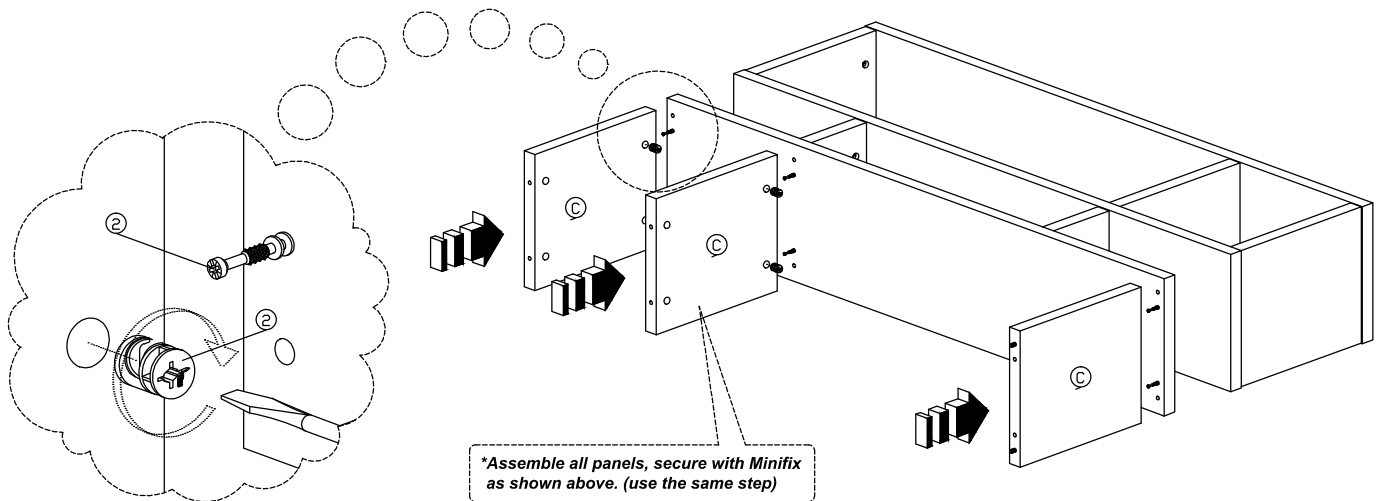
# Assembly Instruction

## Step 6



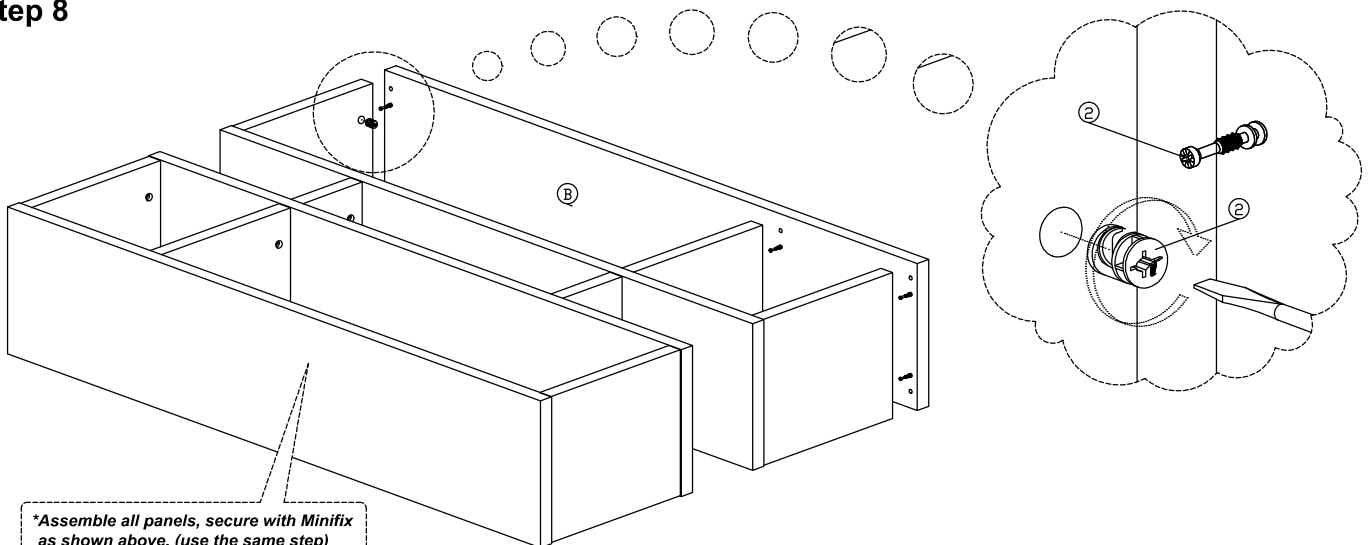
*\*Assemble all panels, secure with Minifix as shown above. (use the same step)*

## Step 7



*\*Assemble all panels, secure with Minifix as shown above. (use the same step)*

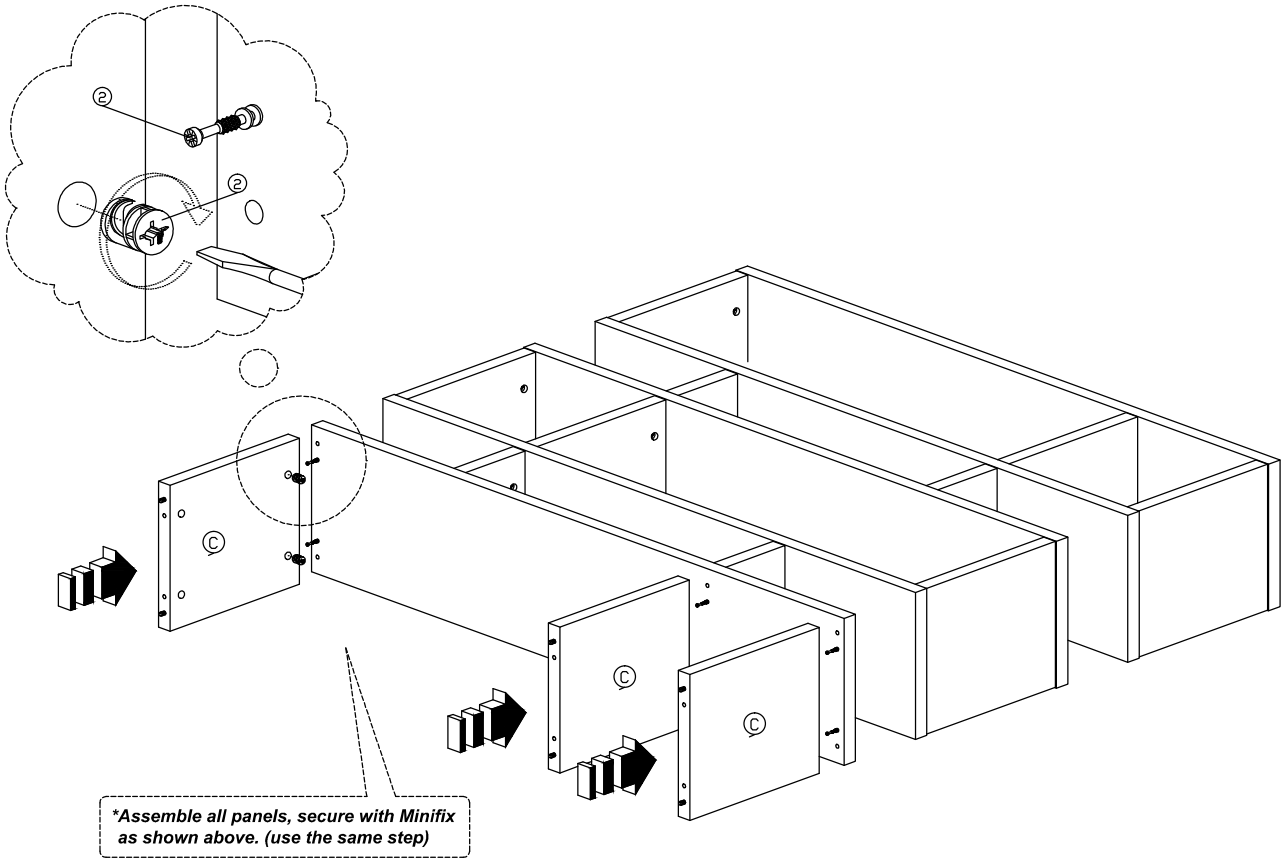
## Step 8



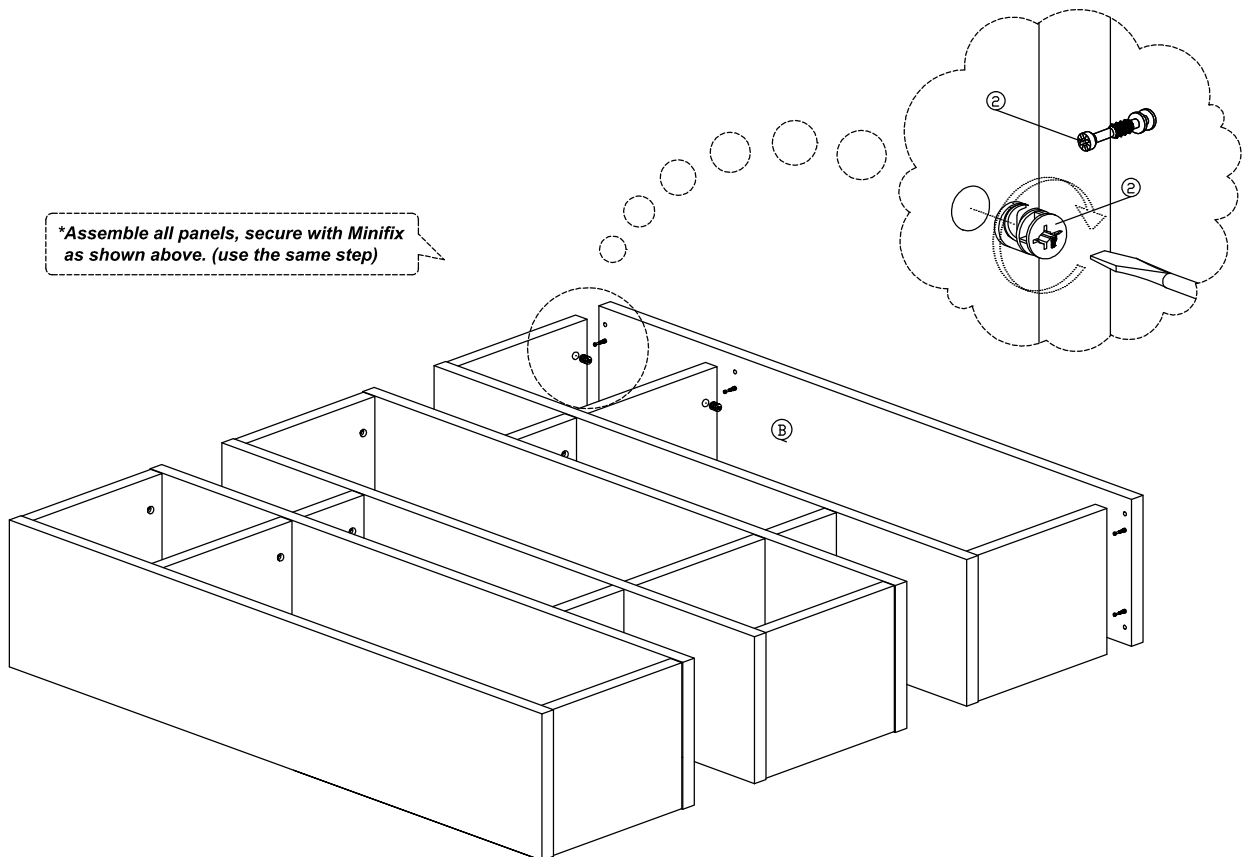
*\*Assemble all panels, secure with Minifix as shown above. (use the same step)*

# Assembly Instruction

## Step 11

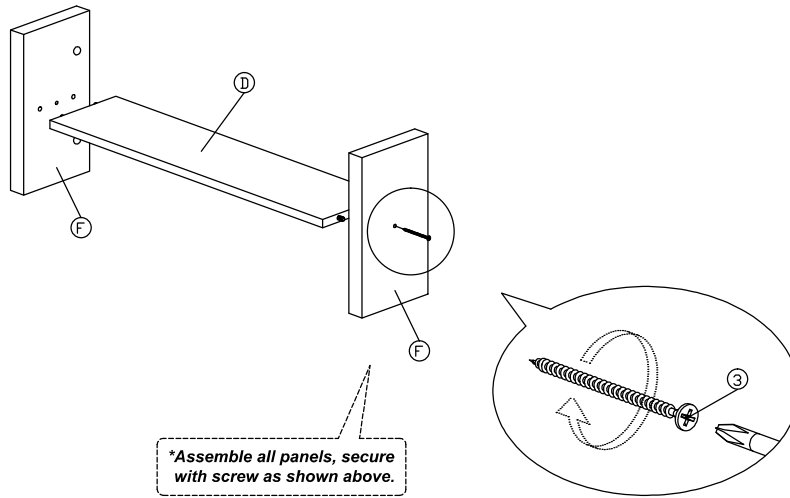


## Step 12

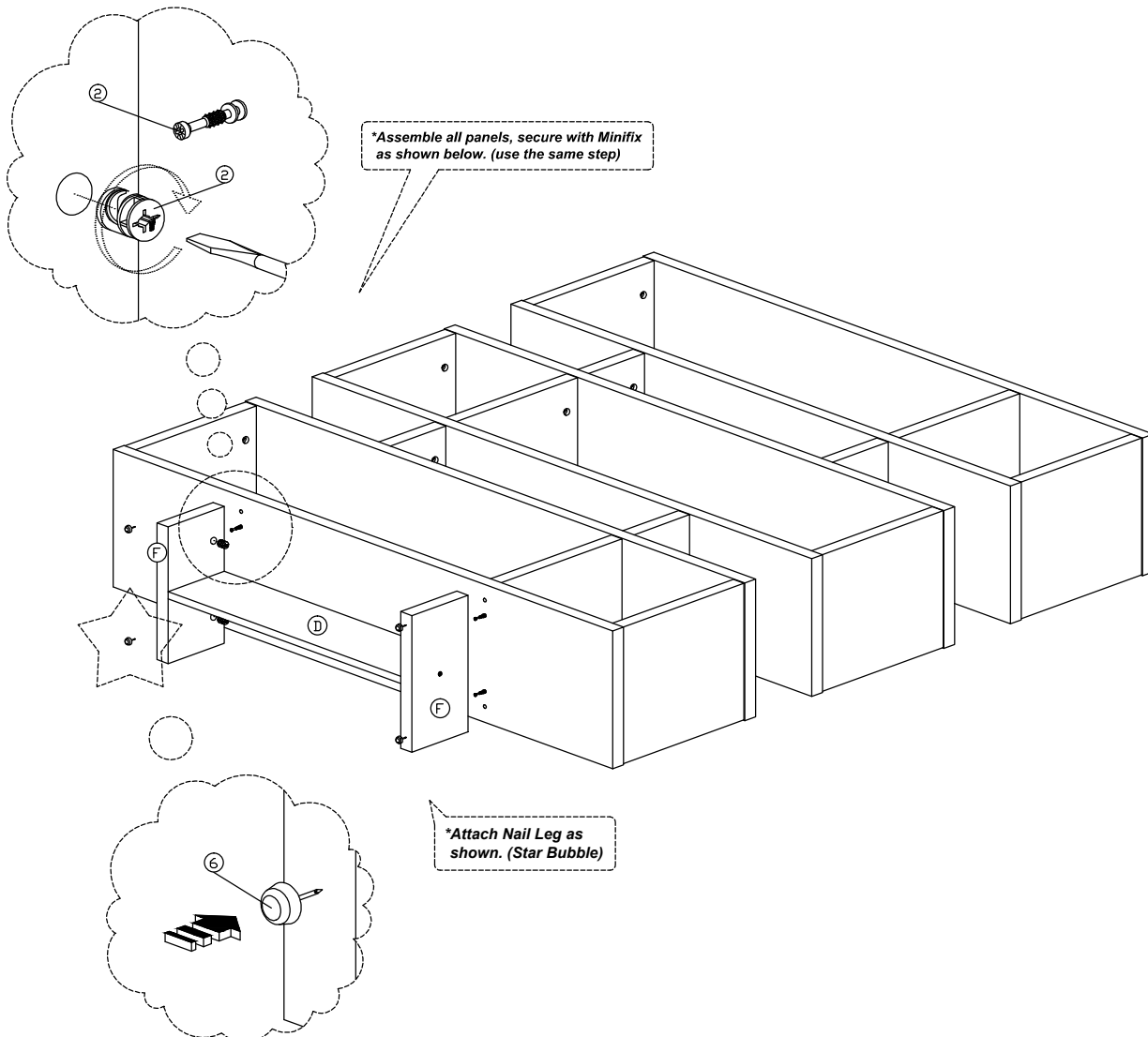


# Assembly Instruction

## Step 13

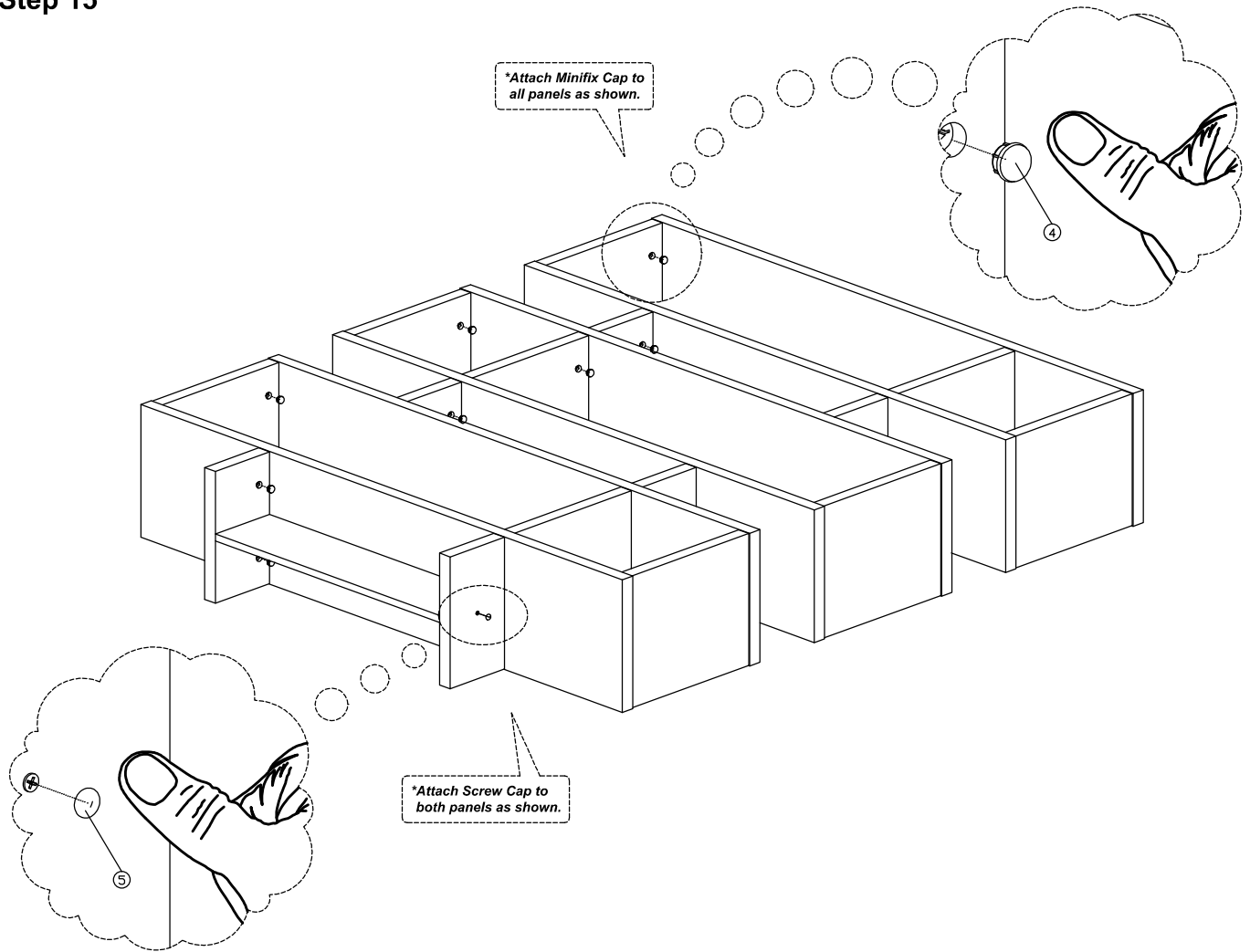


## Step 14



# Assembly Instruction

## Step 15



## Complete

