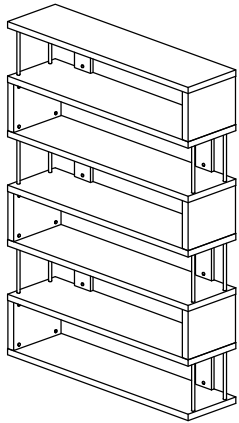
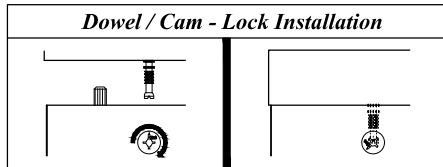


Assembly Instruction

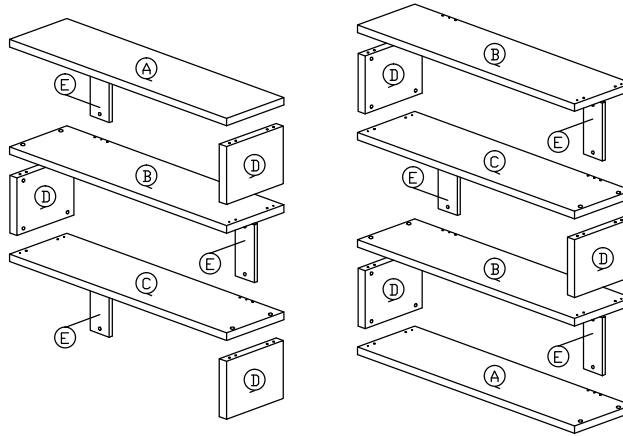
Model : FP - 6D



Hardware List			
No.	SHAPE	DESCRIPTION	Qty.
1		8x25mm Wood Dowel	48Pcs
2		15MM Titus Mini Fix	36Sets
3		15mm Minifix Cap	24Pcs
4		15MM Mini Fix Cap	12Pcs
5		Nail Leg	4Pcs
6		Cylinder Pipe (300mm)	12Pcs

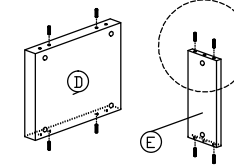


Part List

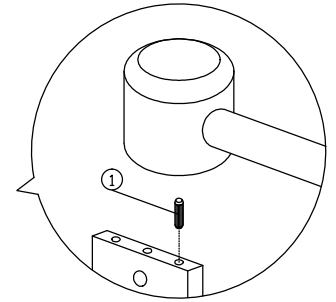


Step 1

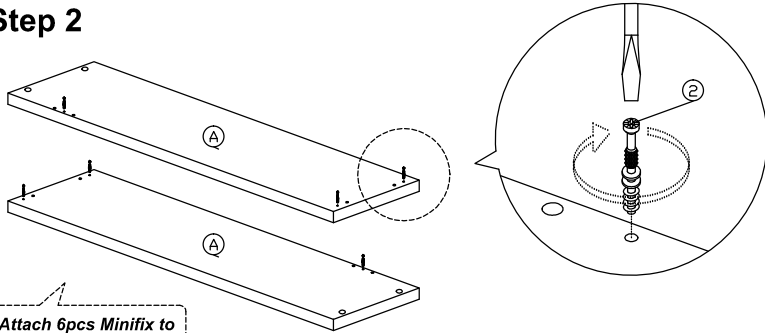
*Install 48pcs Wood Dowel into all panels as shown.



*1 x 6pcs.

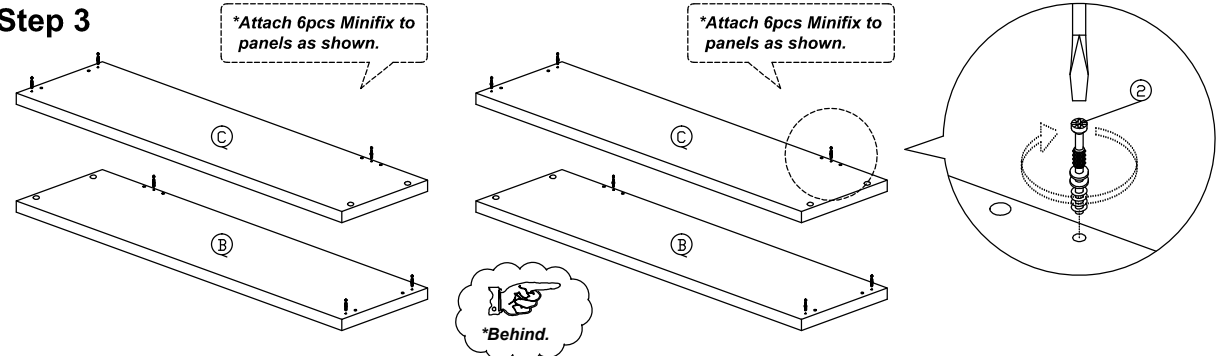


Step 2



*Attach 6pcs Minifix to panels as shown.

Step 3

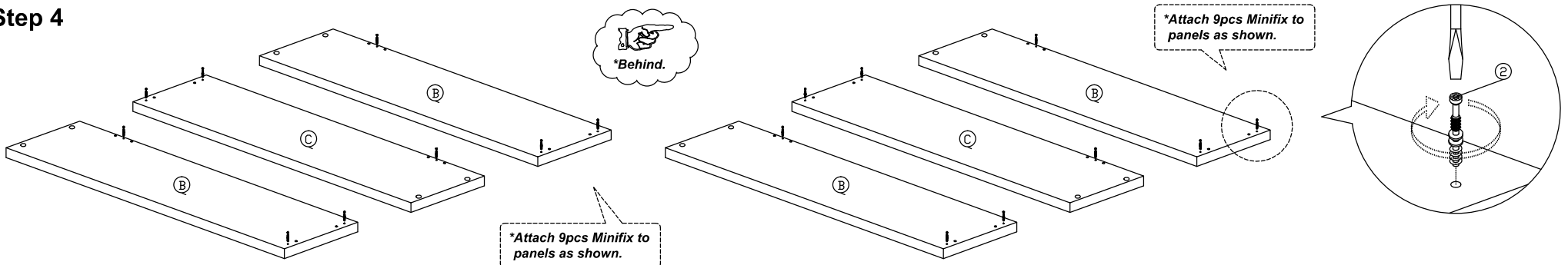


*Attach 6pcs Minifix to panels as shown.

*Attach 6pcs Minifix to panels as shown.

*Behind.

Step 4



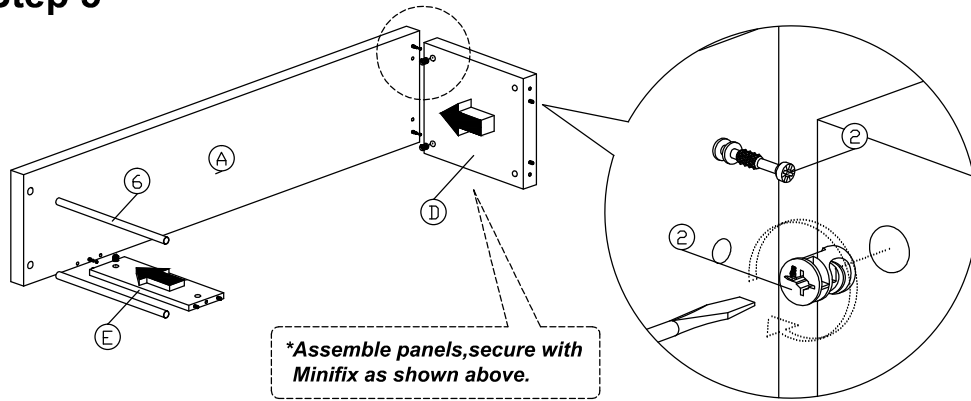
*Attach 9pcs Minifix to panels as shown.

*Attach 9pcs Minifix to panels as shown.

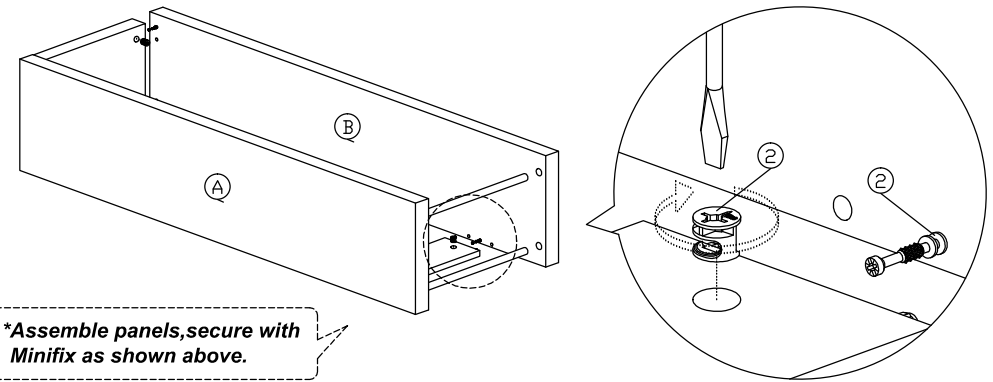
*Behind.

Assembly Instruction

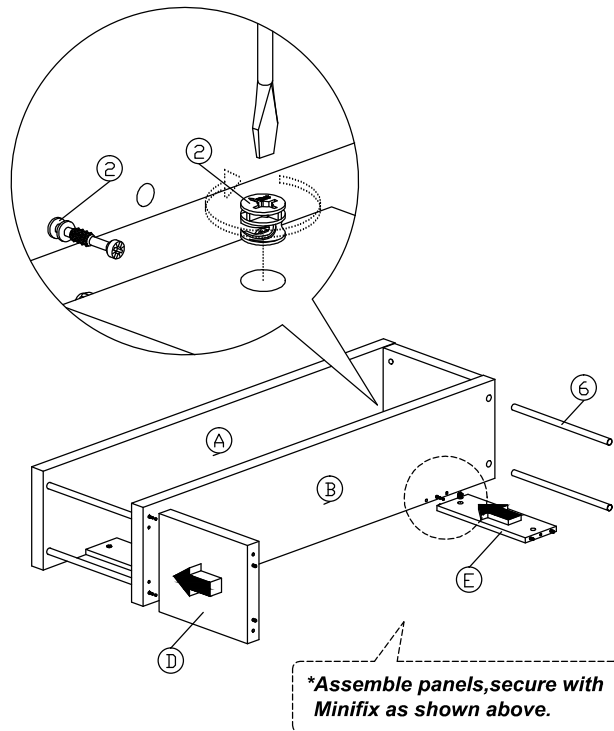
Step 5



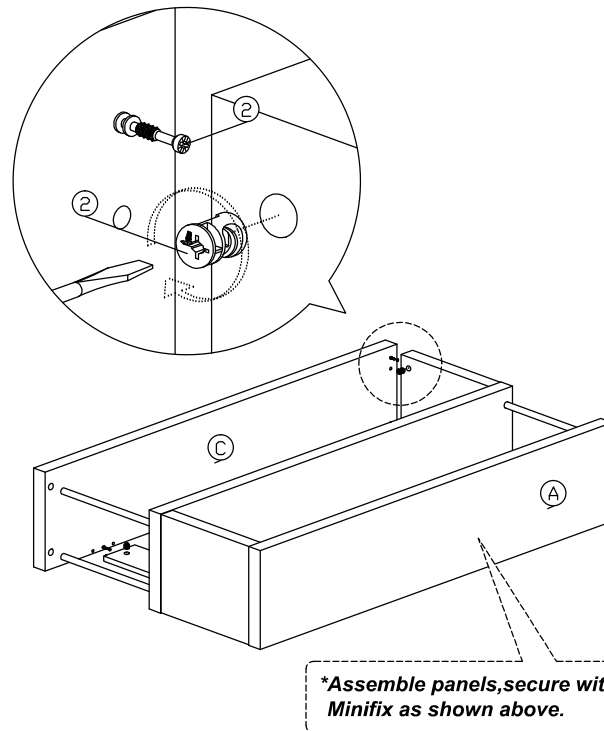
Step 6



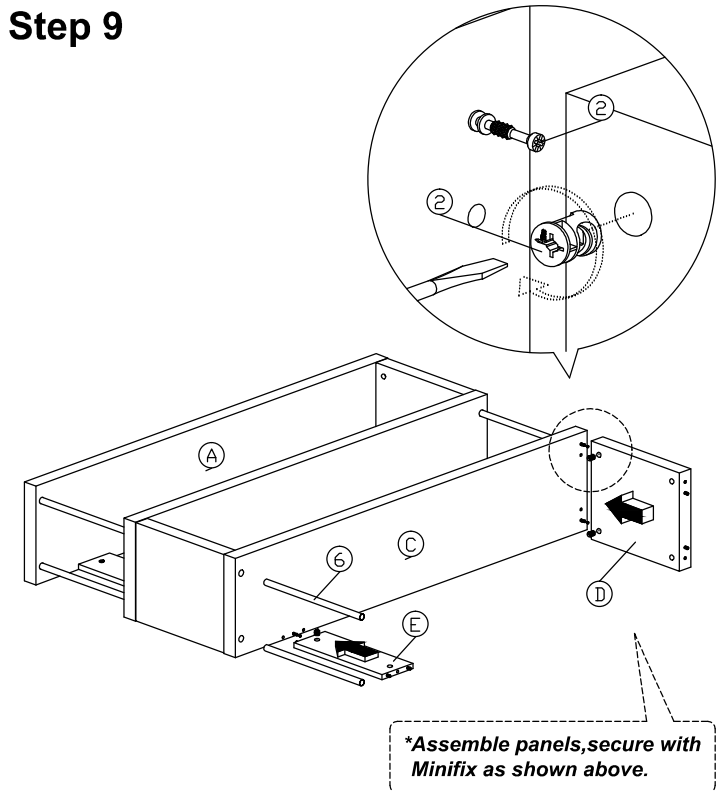
Step 7



Step 8



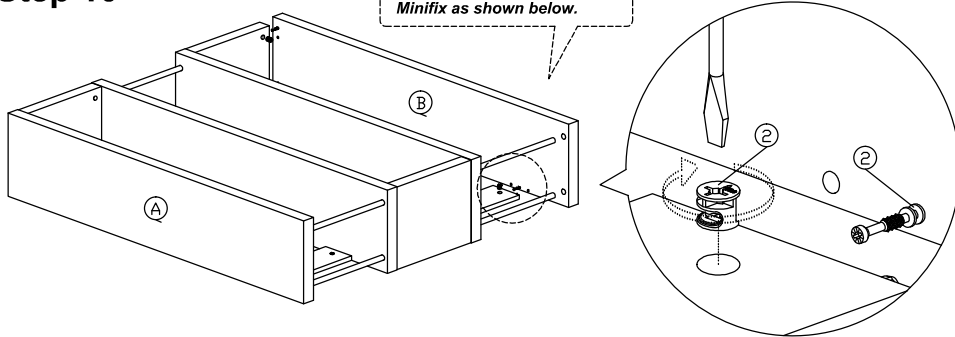
Step 9



Assembly Instruction

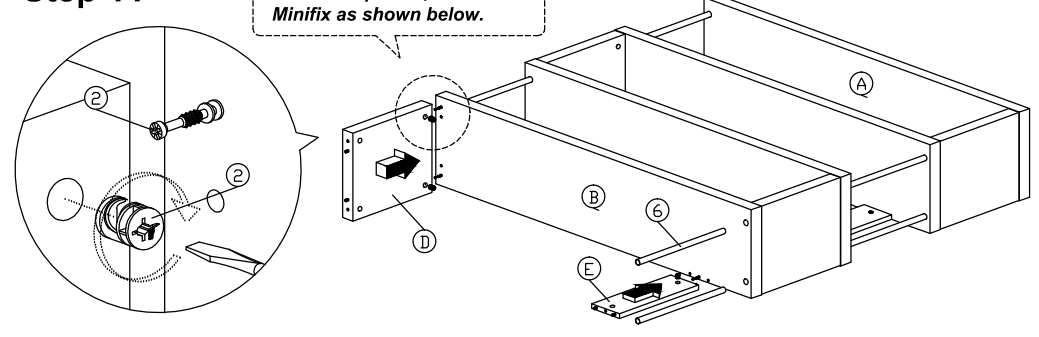
Step 10

**Assemble panels, secure with Minifix as shown below.*



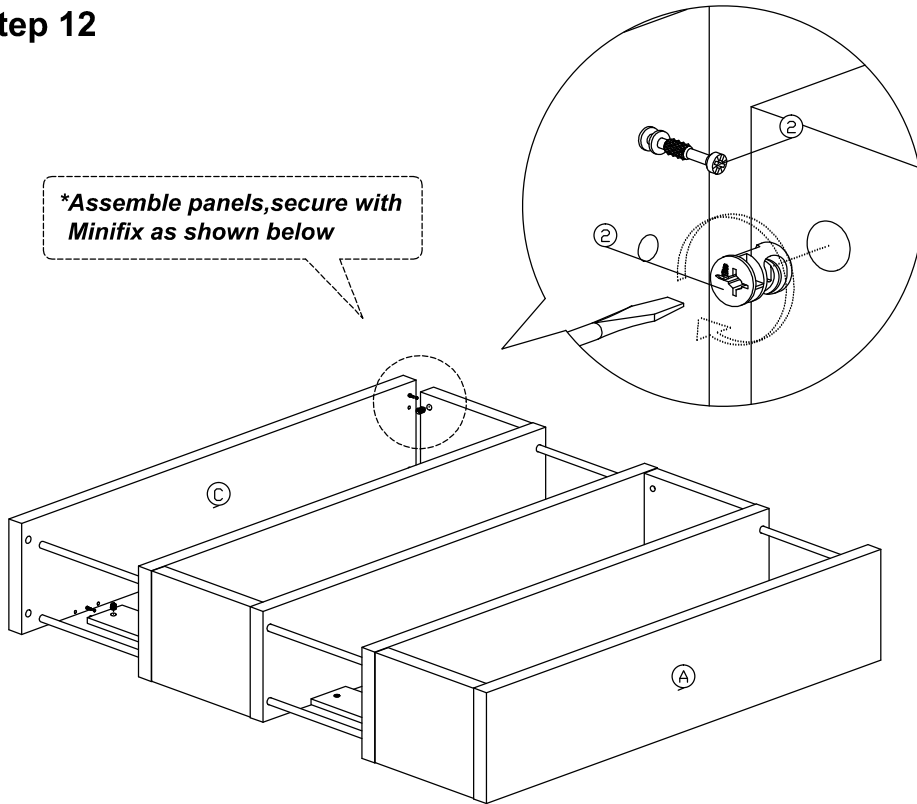
Step 11

**Assemble panels, secure with Minifix as shown below.*



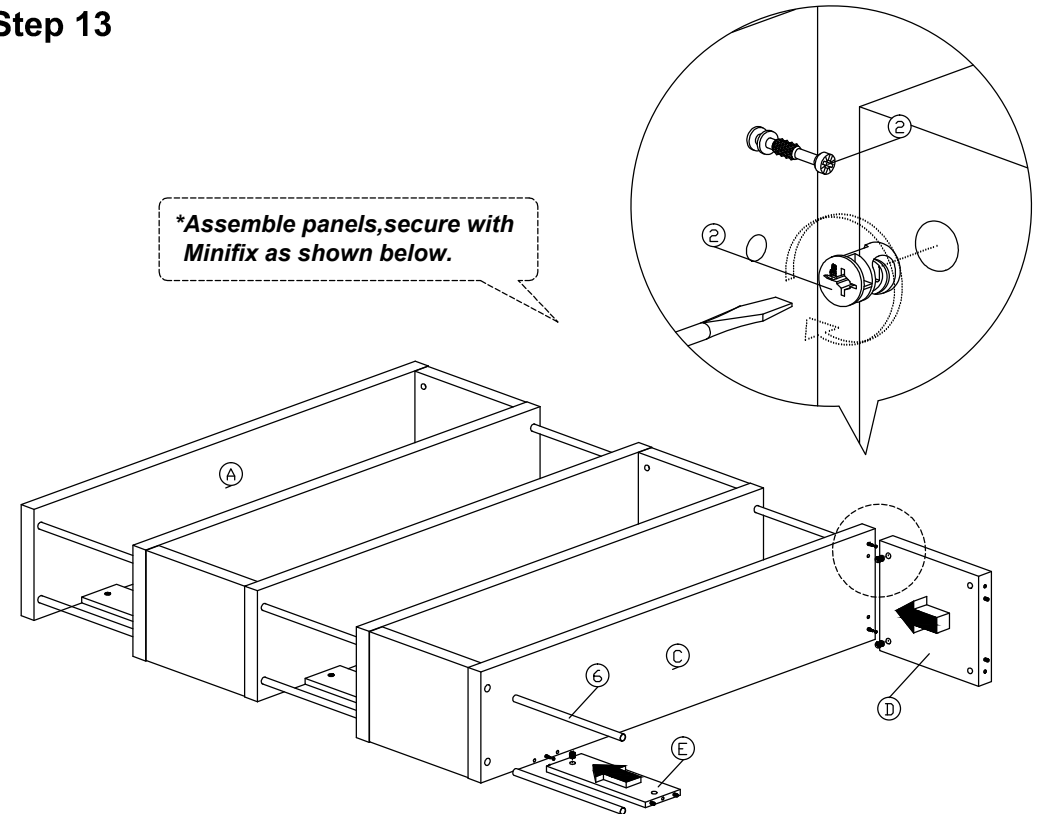
Step 12

**Assemble panels, secure with Minifix as shown below*



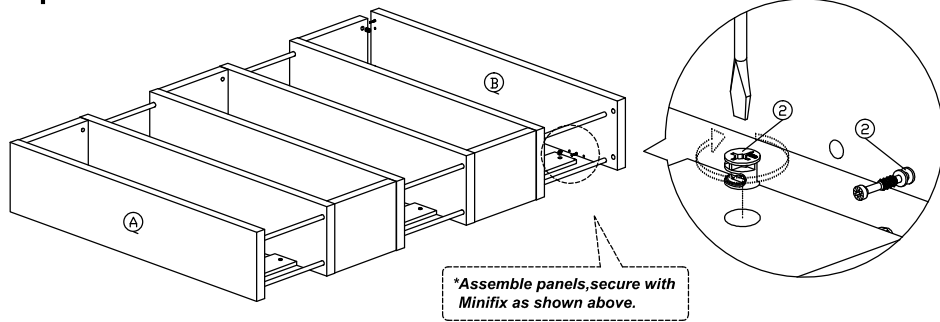
Step 13

**Assemble panels, secure with Minifix as shown below.*

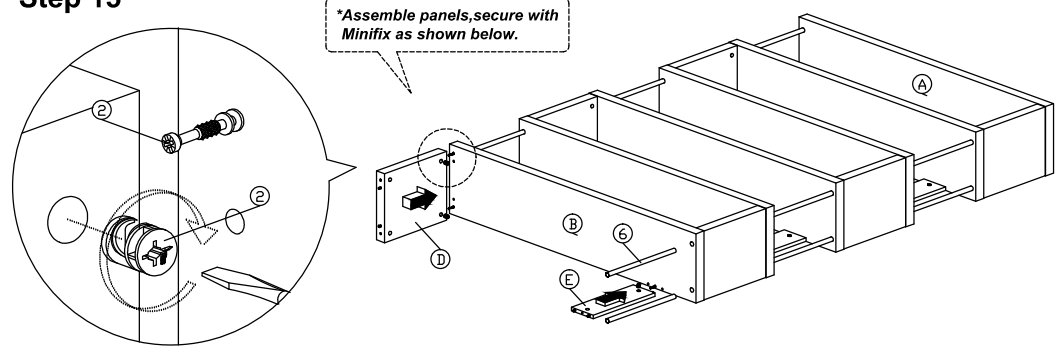


Assembly Instruction

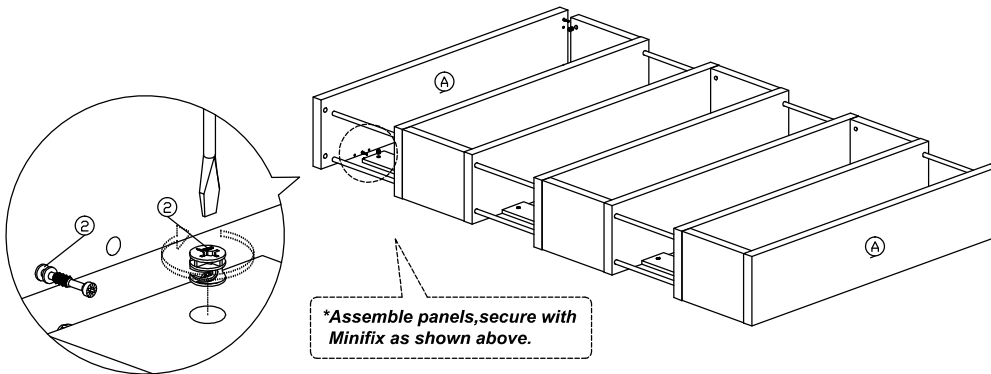
Step 14



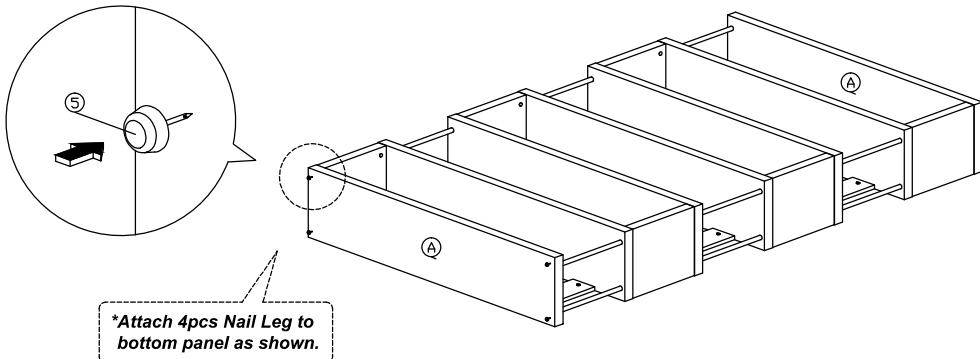
Step 15



Step 16



Step 17



Step 18

