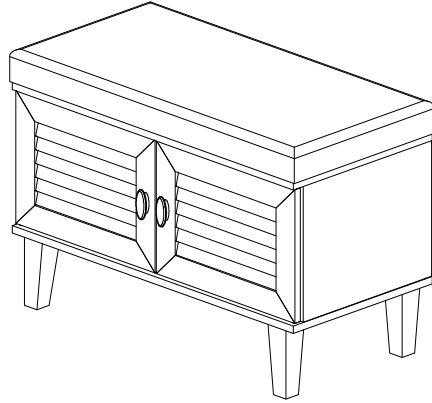
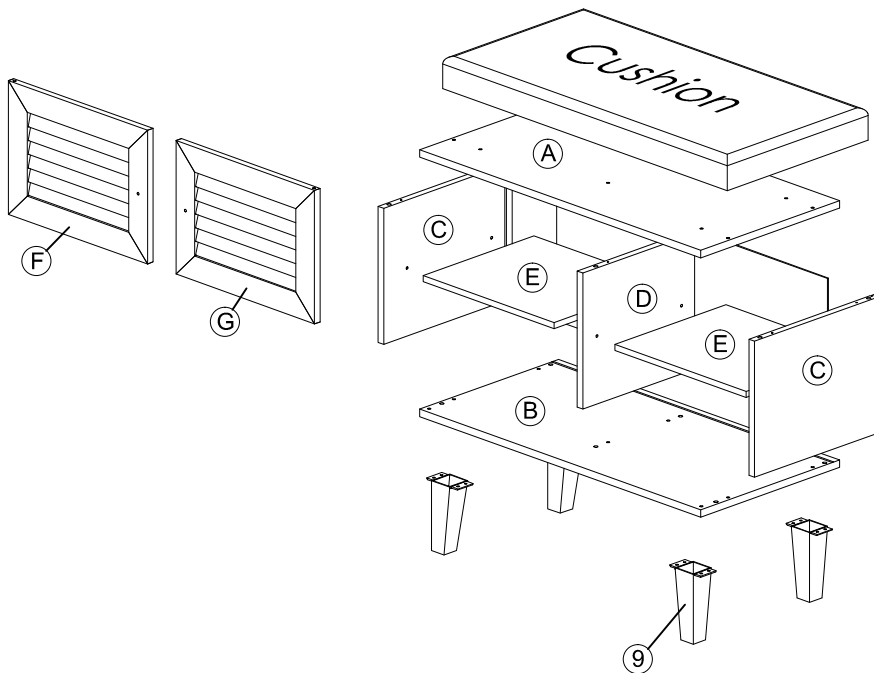


# Assembly Instruction

Model : WI6793



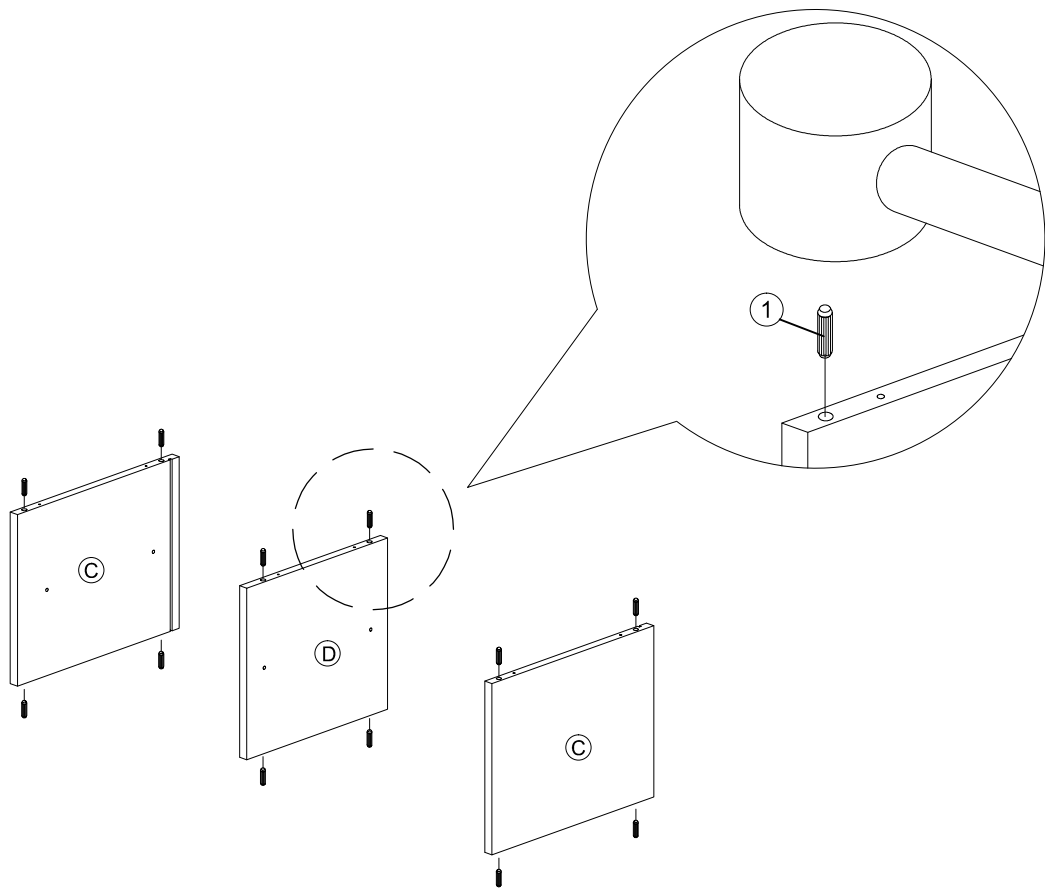
## Part List



# Assembly Instruction

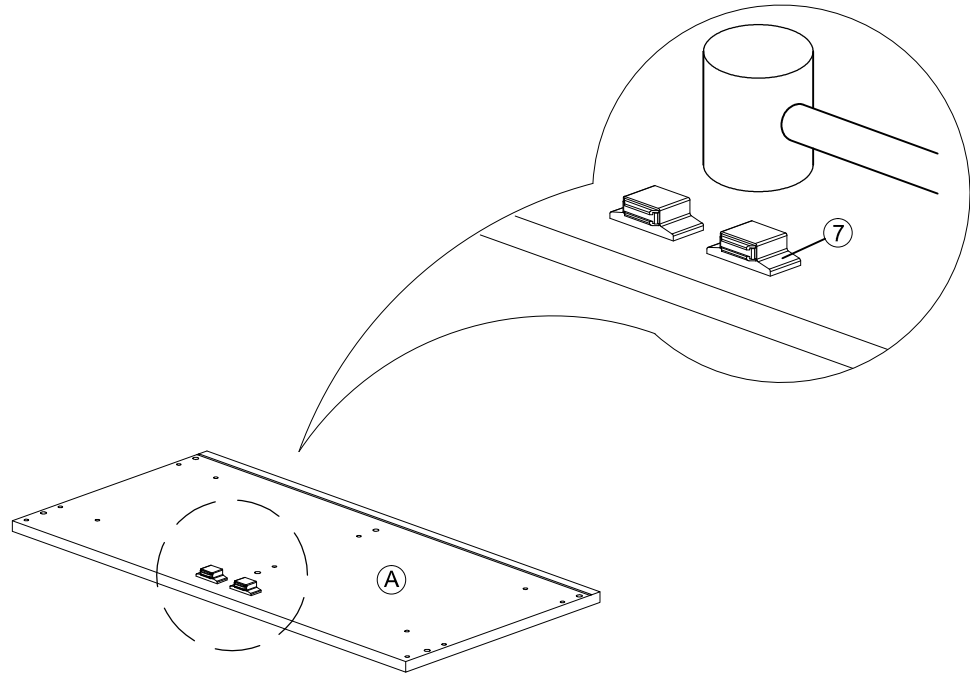
<i>Hardware List</i>			
<i>No.</i>	<i>SHAPE</i>	<i>DESCRIPTION</i>	<i>Qty.</i>
1		<b>8x25mm Wood Dowel</b>	12Pcs
2		<b>M3.5x15mm Screw</b>	16Pcs
3		<b>M4x38mm Screw</b>	12Pcs
4		<b>Shelf Support</b>	8Pcs
5		<b>M6x22 Steel Bracket</b>	4Pcs
6		<b>Nail</b>	3Pcs
7		<b>Brown Magnet 2 Pin</b> Flat Head Tapping Screw M6x10mm ZB	2Sets
8		<b>Handle Knob (Plastic)</b> M3.6x24mm Screw	2Sets
9		<b>OS-140mm</b> Long Tapper Leg	4Pcs
10		<b>M4x25mm Screw</b>	4Pcs

## STEP 1

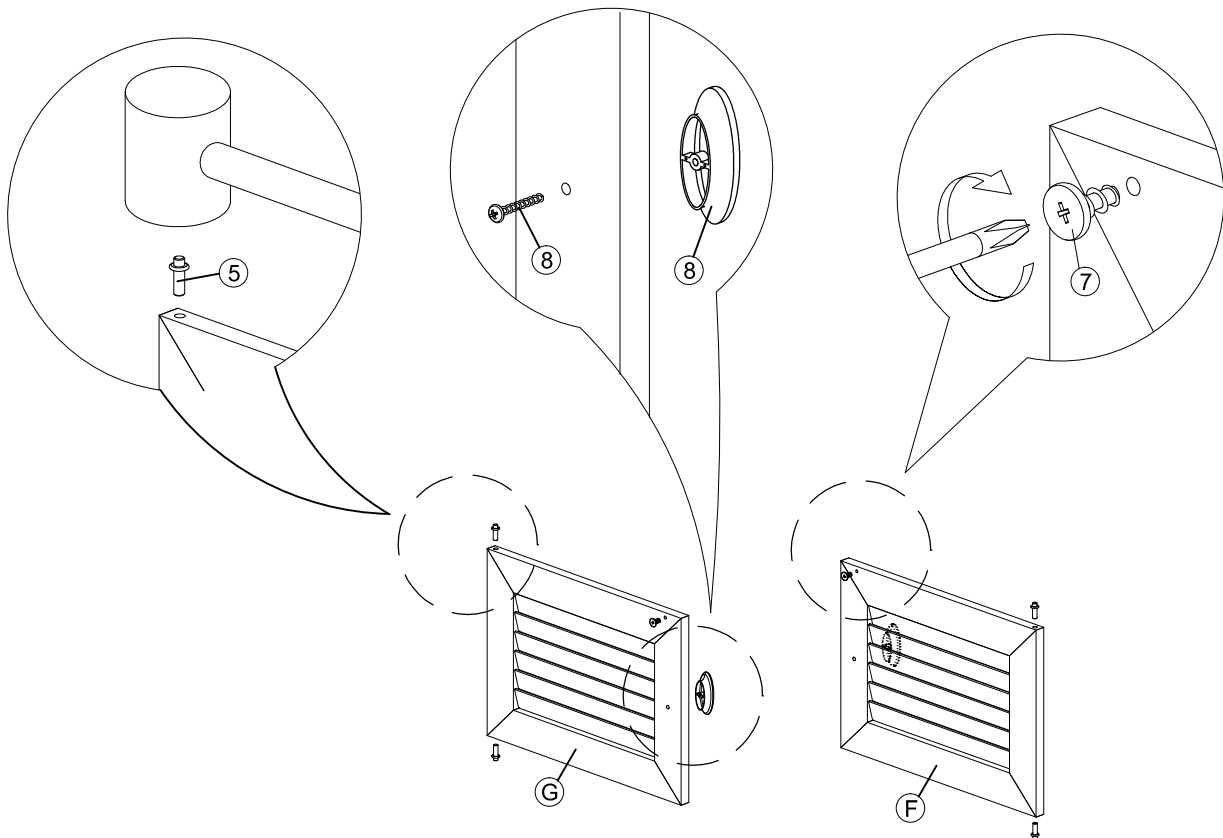


# Assembly Instruction

## STEP 2

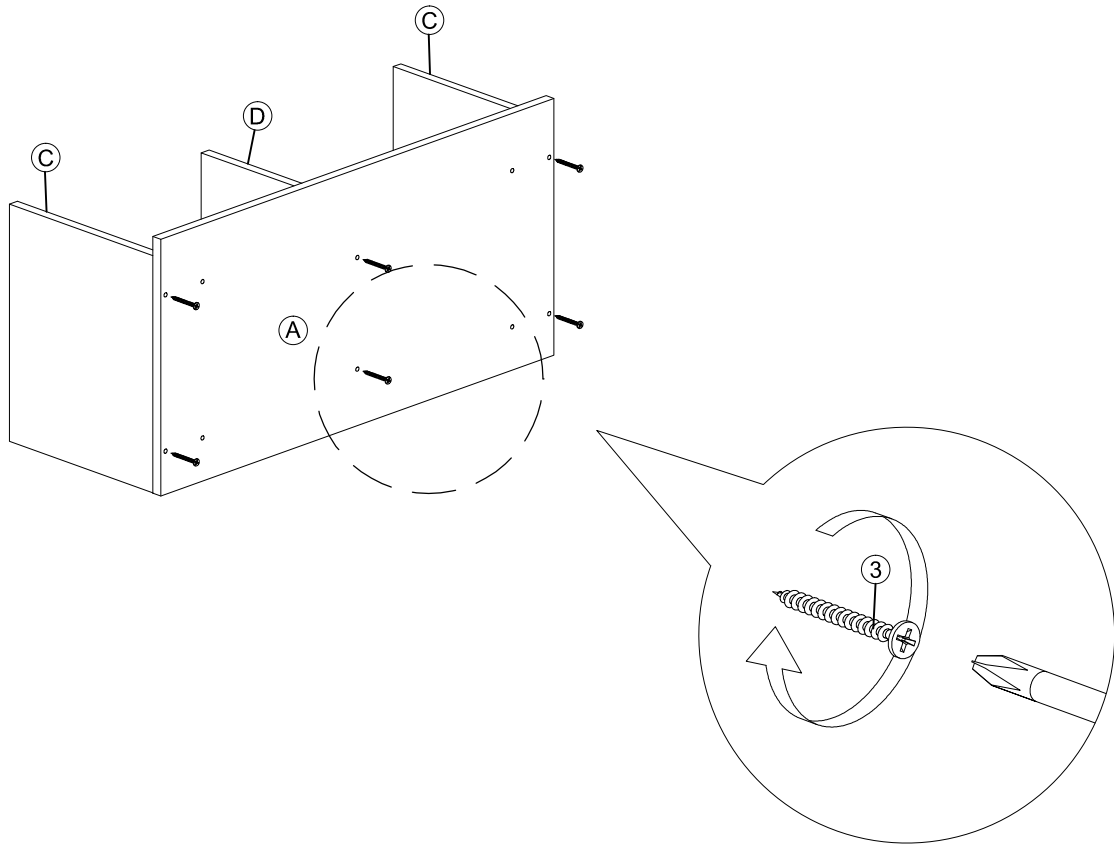


## STEP 3

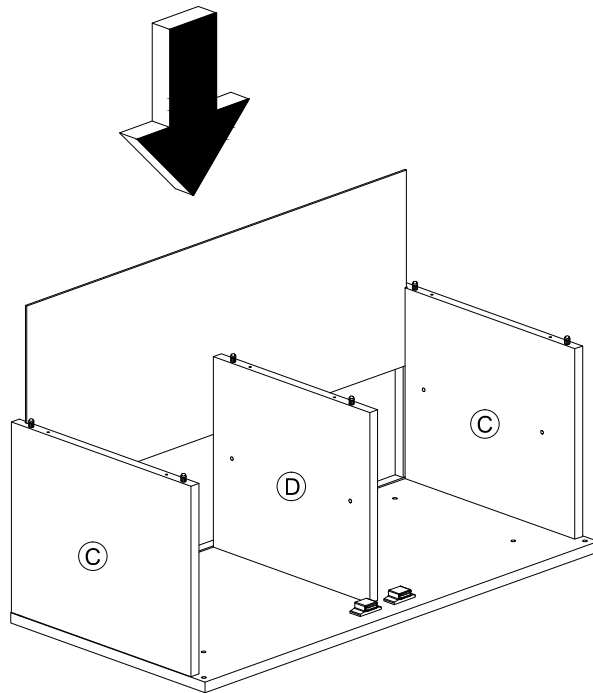


# Assembly Instruction

## STEP 4

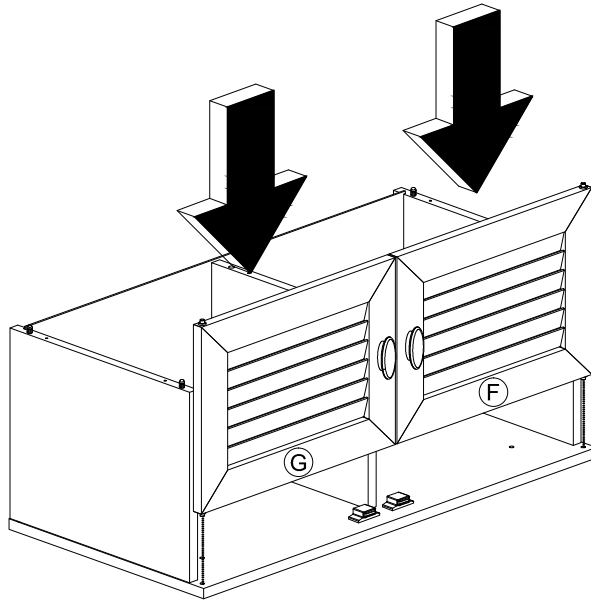


## STEP 5

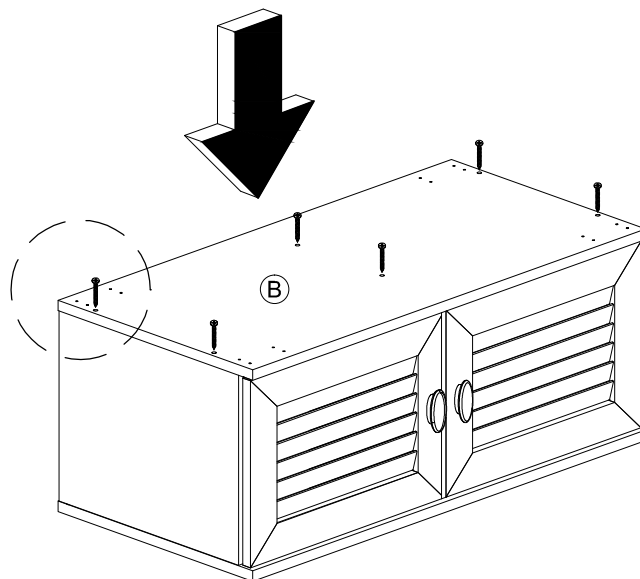
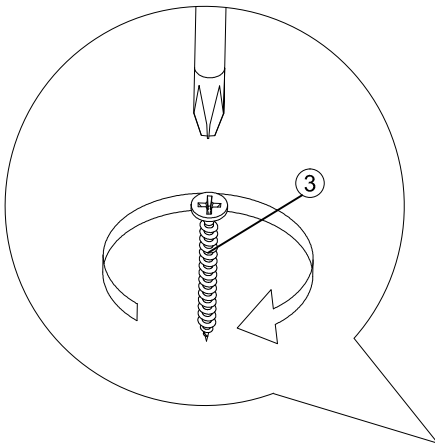


# Assembly Instruction

## STEP 6

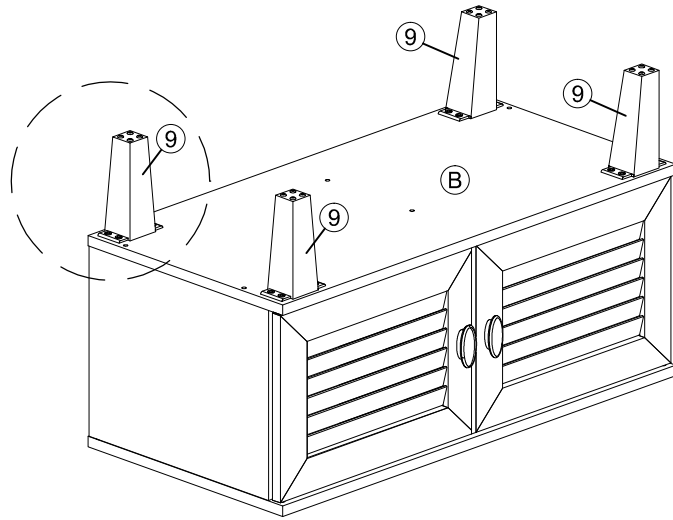
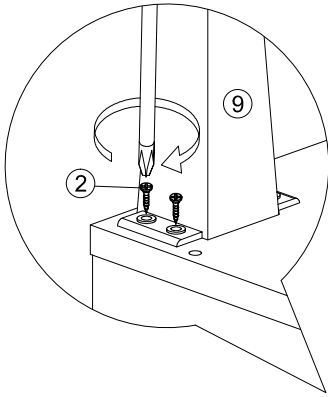


## STEP 7

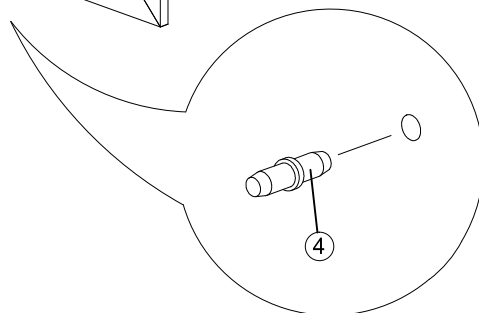
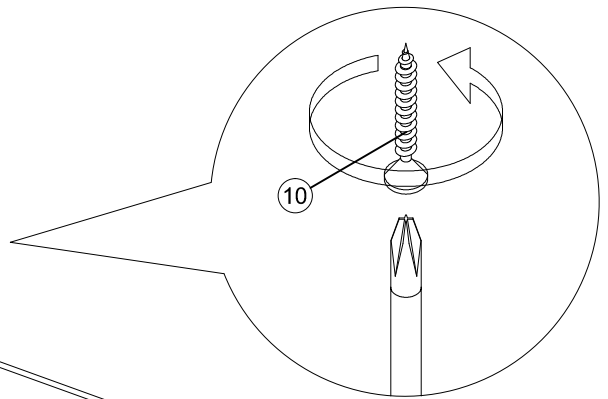
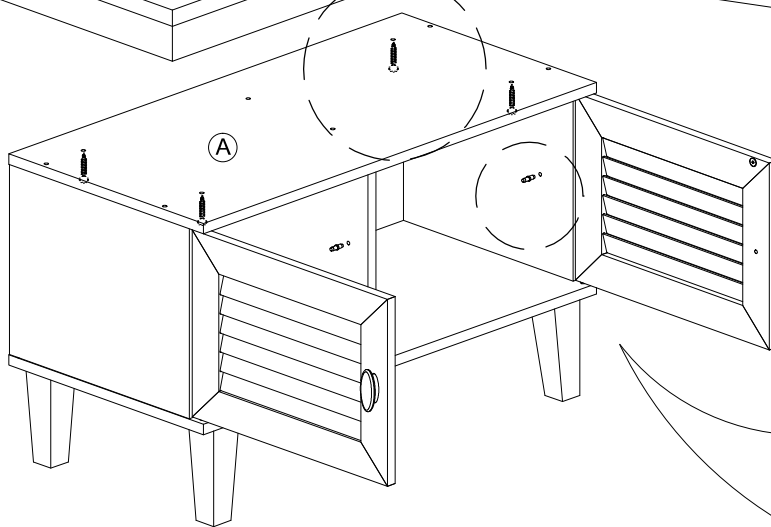
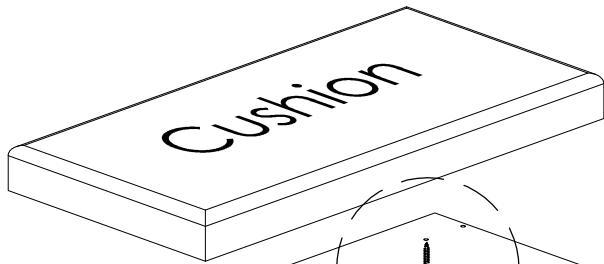


# Assembly Instruction

## STEP 8

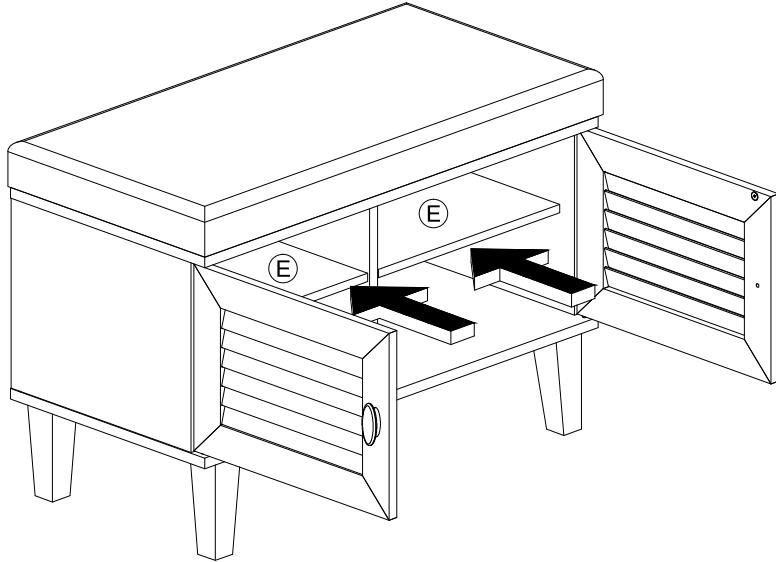


## STEP 9



# Assembly Instruction

## STEP 10



## STEP 11

