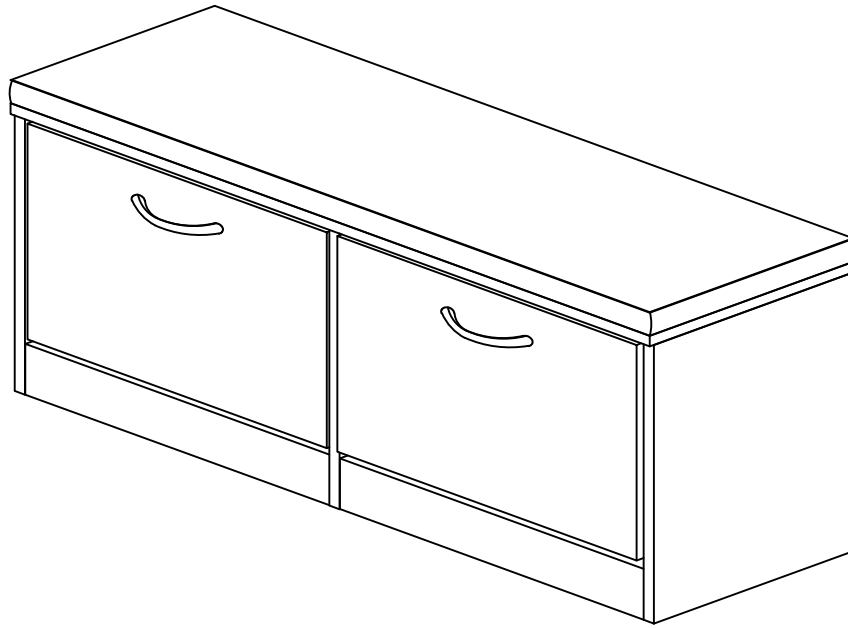
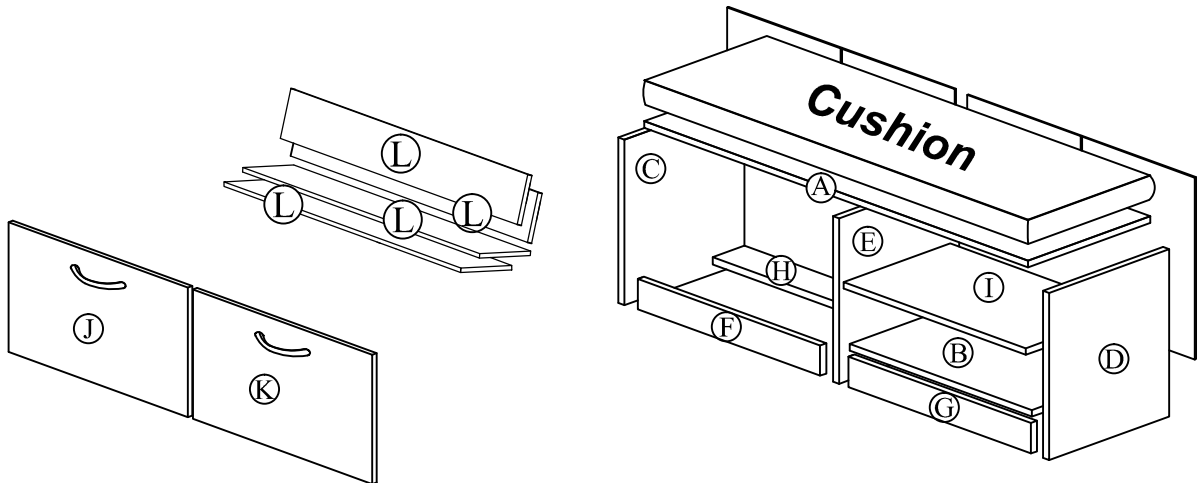


Assembly Instruction

Model : WI6791

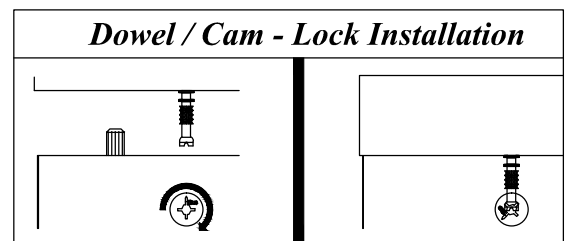


Part List



<i>Hardware List</i>			
No.	SHAPE	DESCRIPTION	Qty.
1		8x25mm Wood Dowel	24Pcs
2		15MM Myfix Minifix	6Sets
3		M3.5x16mm Screw	16Pcs
4		M3.5x20mm	2Pcs
5		M4x25mm Screw	4Pcs
6		M4x38mm Screw	6Pcs
7		TP 10#x1/2" Screw	8Pcs
8		Nail	12Pcs
9		L Bracket	4Pcs
10		Nail Leg	6Pcs

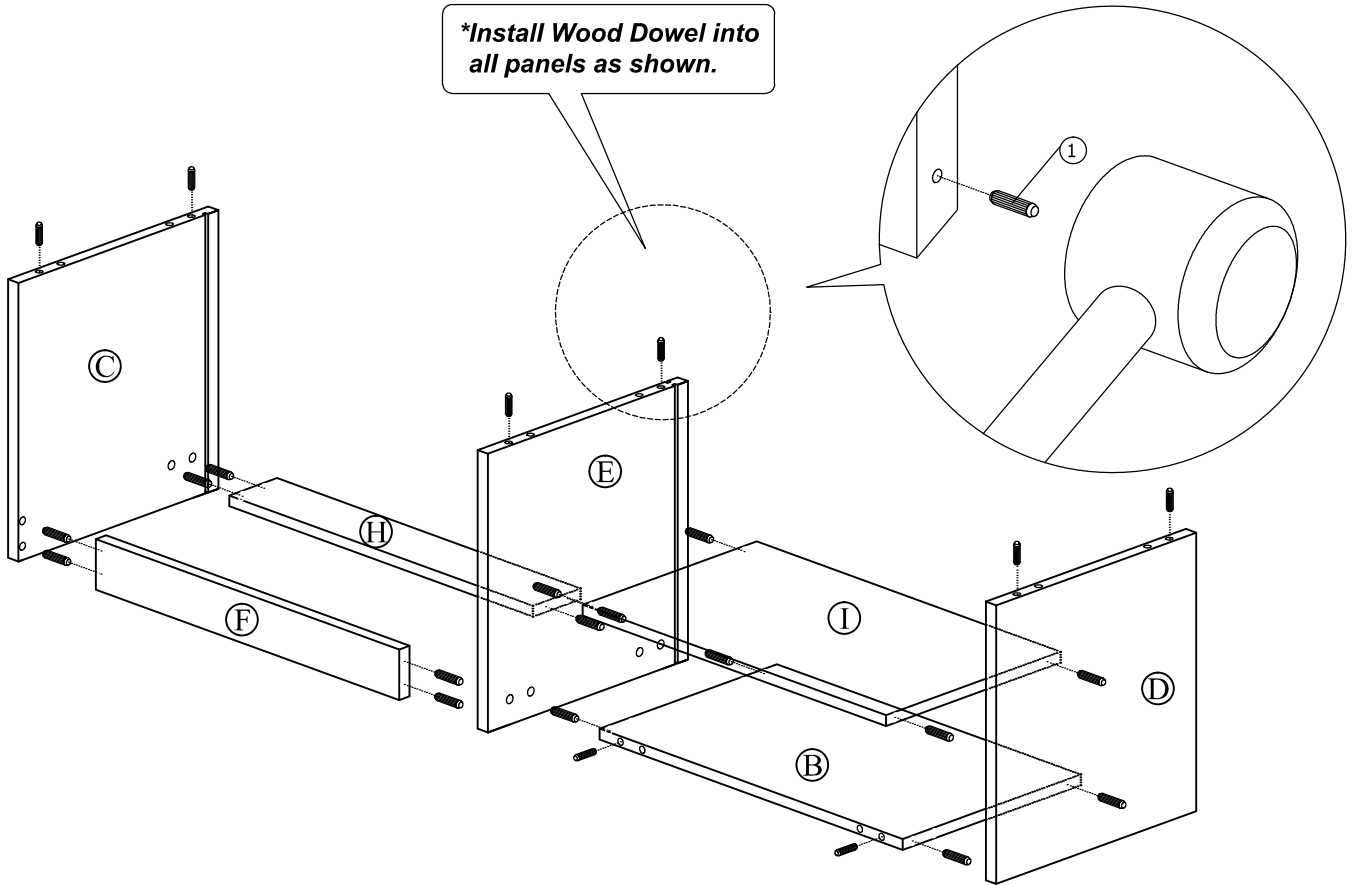
11		Hinges (F010)	2Sets
12		3 Tray Shoe Rack	1Set
13		Handle C Shape M3.6x20mm Screw	2Sets



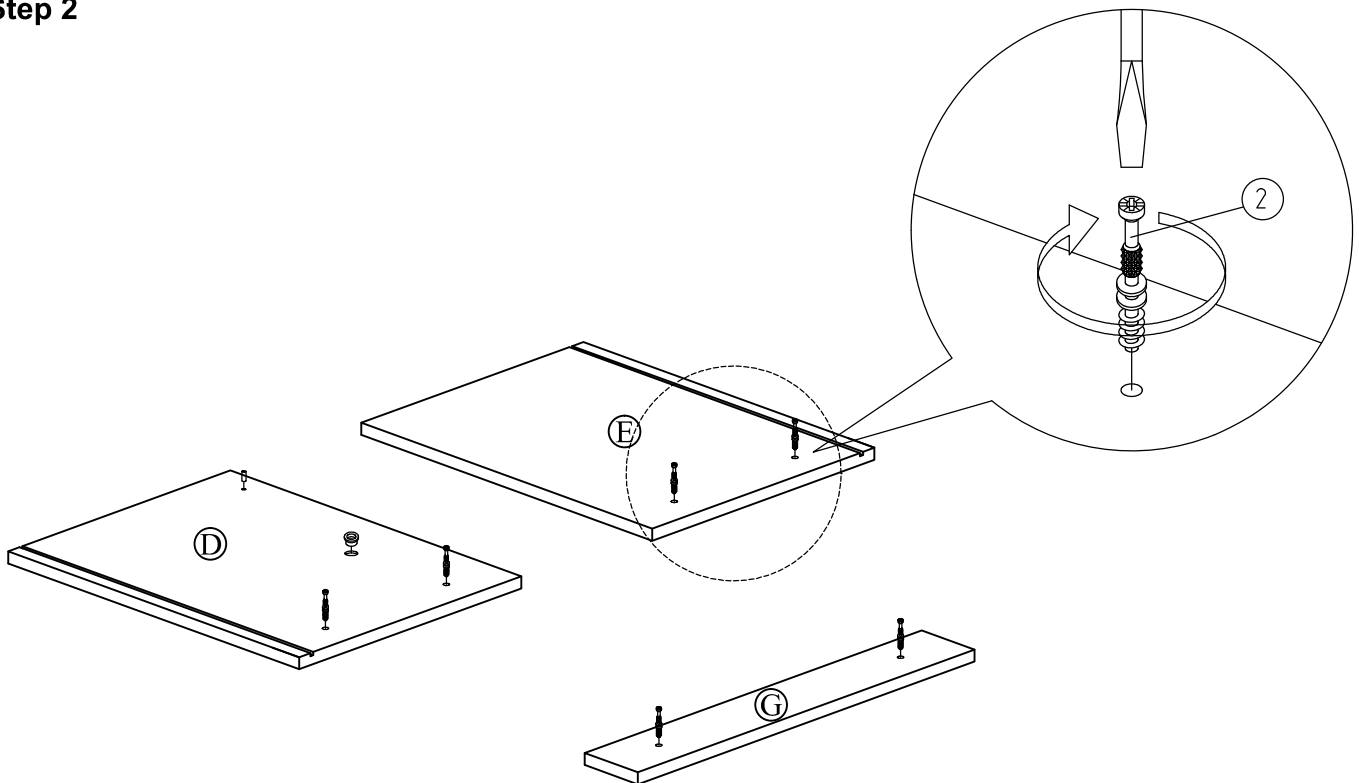
Assembly Instruction

Step 1

**Install Wood Dowel into all panels as shown.*

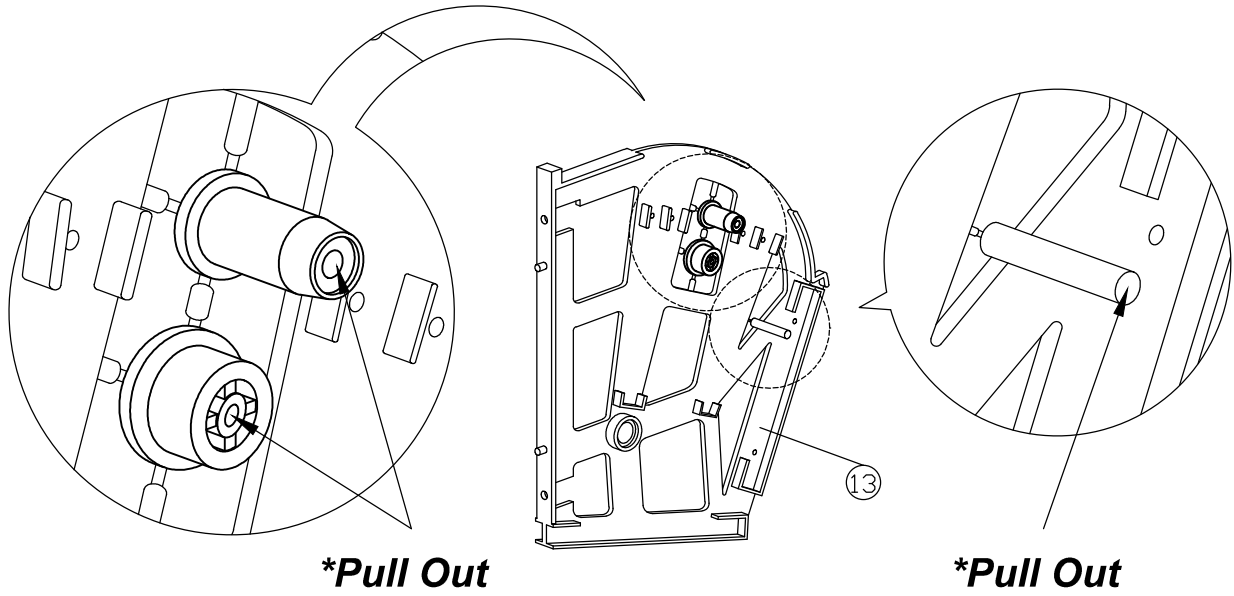


Step 2

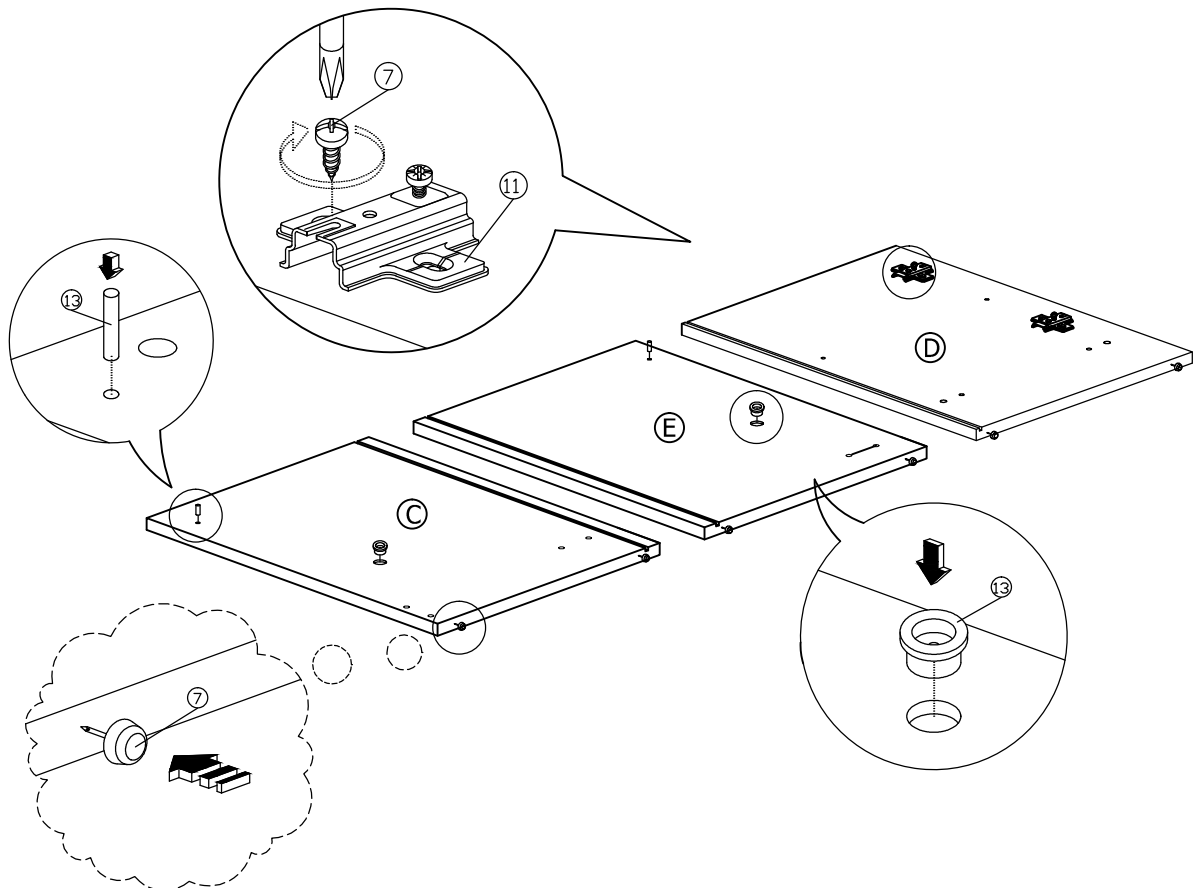


Assembly Instruction

Step 3

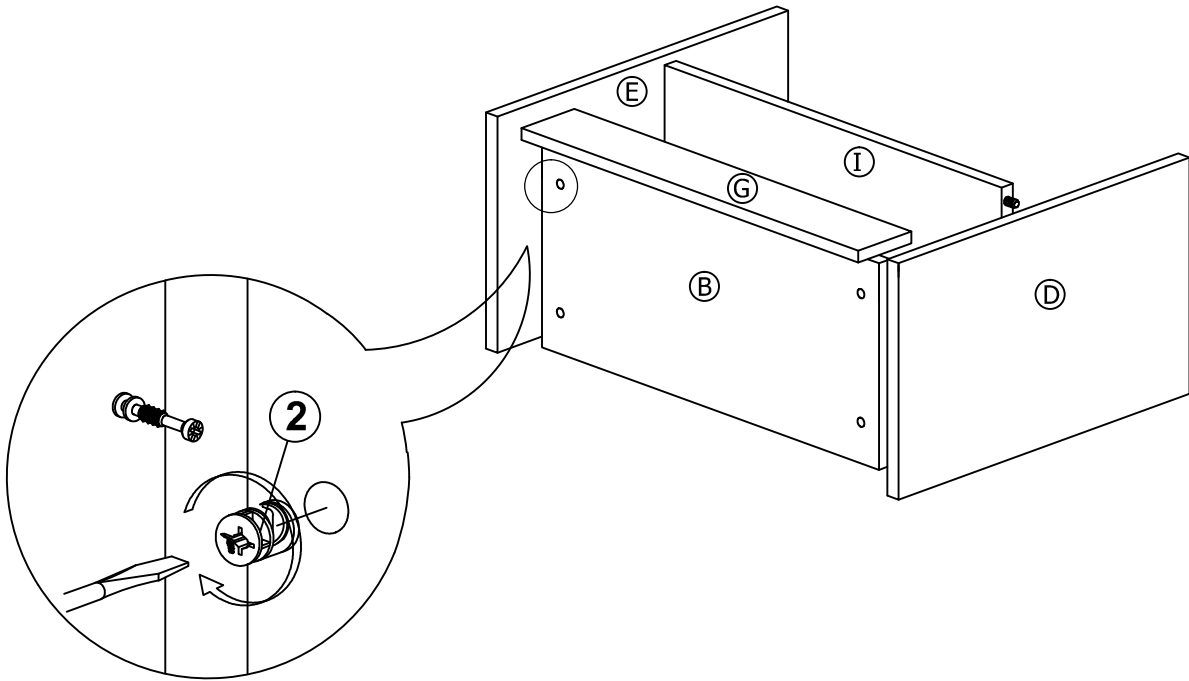


Step 4

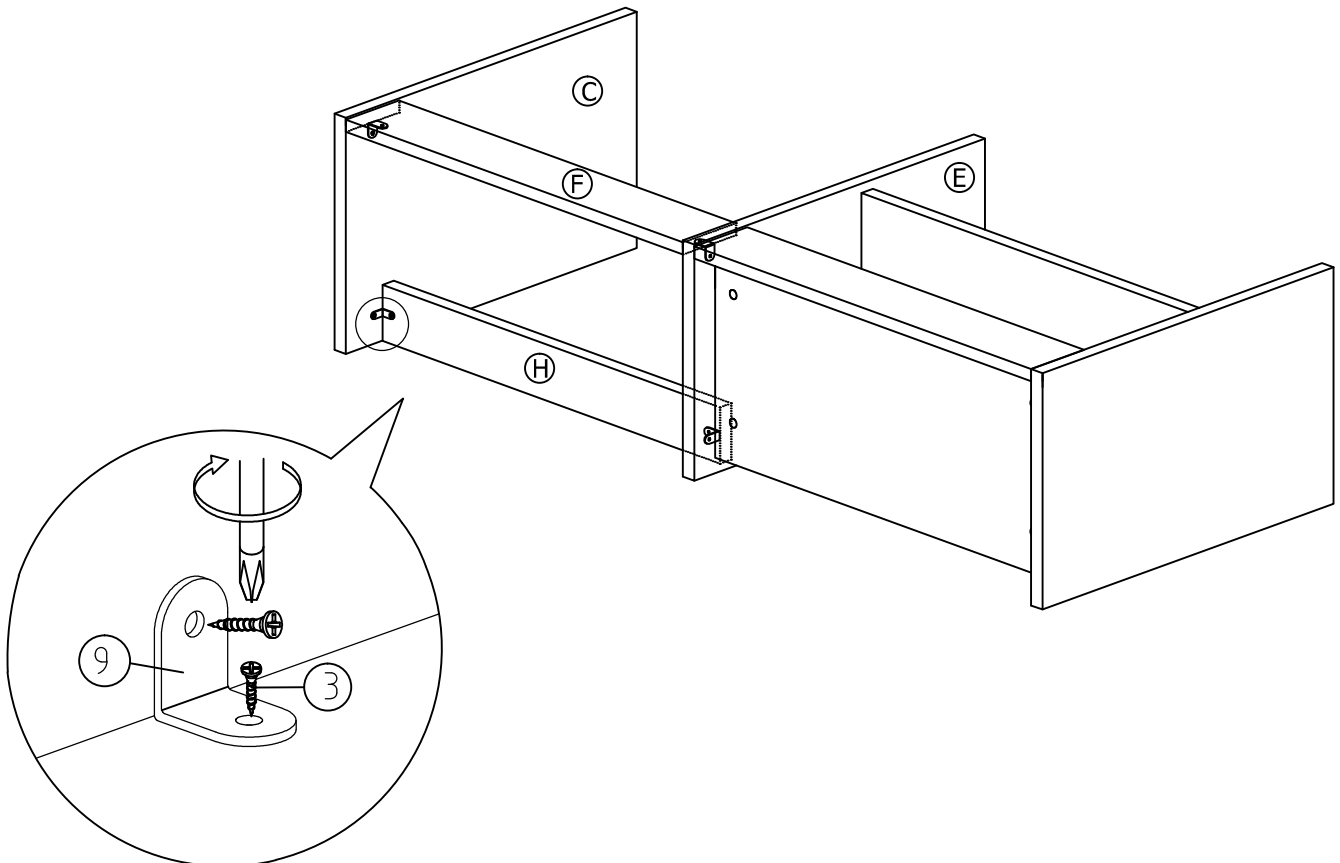


Assembly Instruction

Step 5

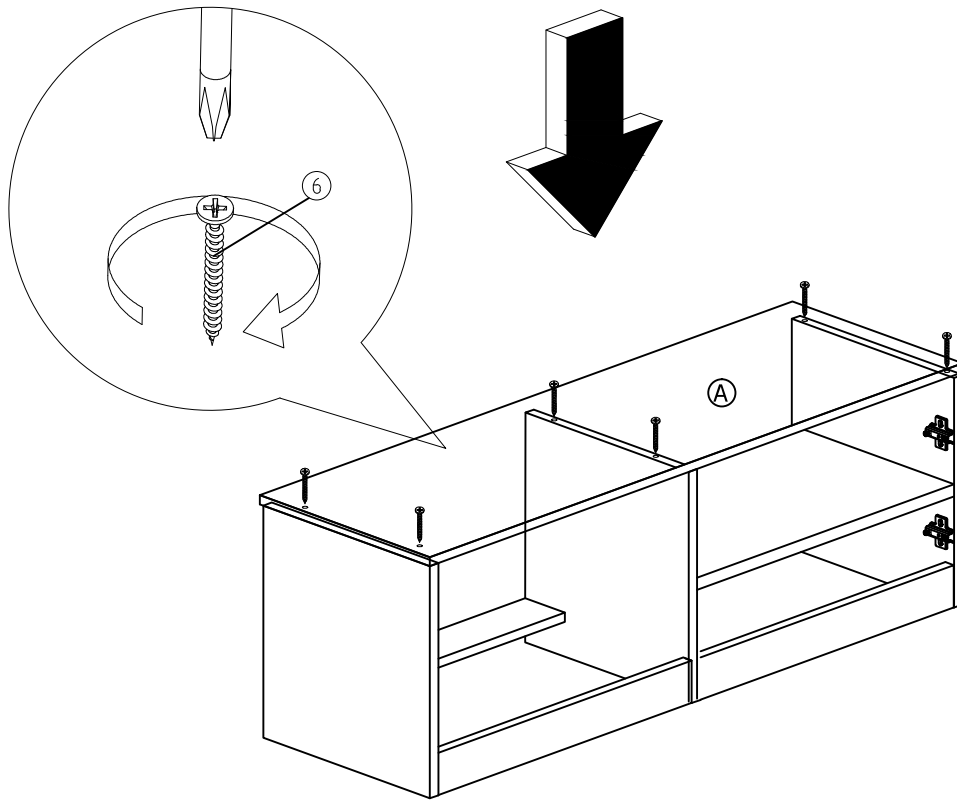


Step 6

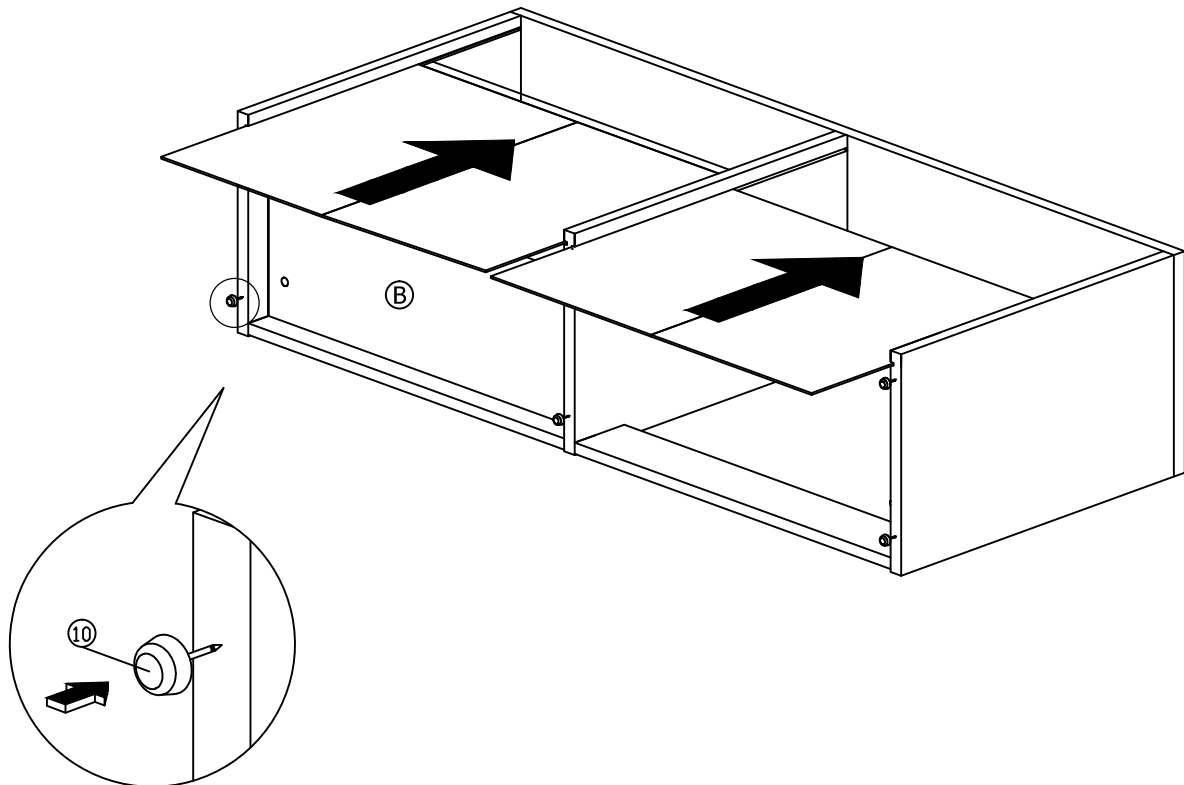


Assembly Instruction

Step 7

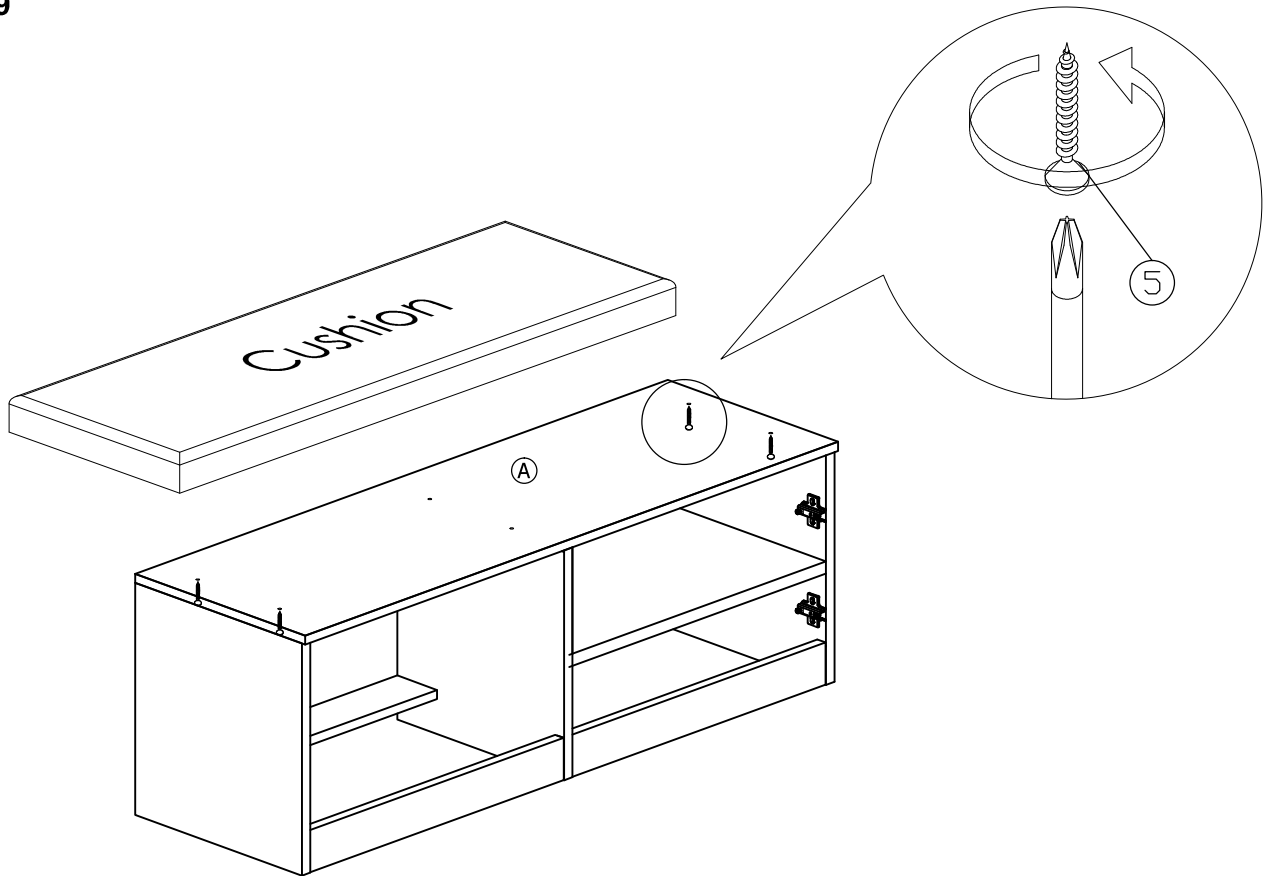


Step 8

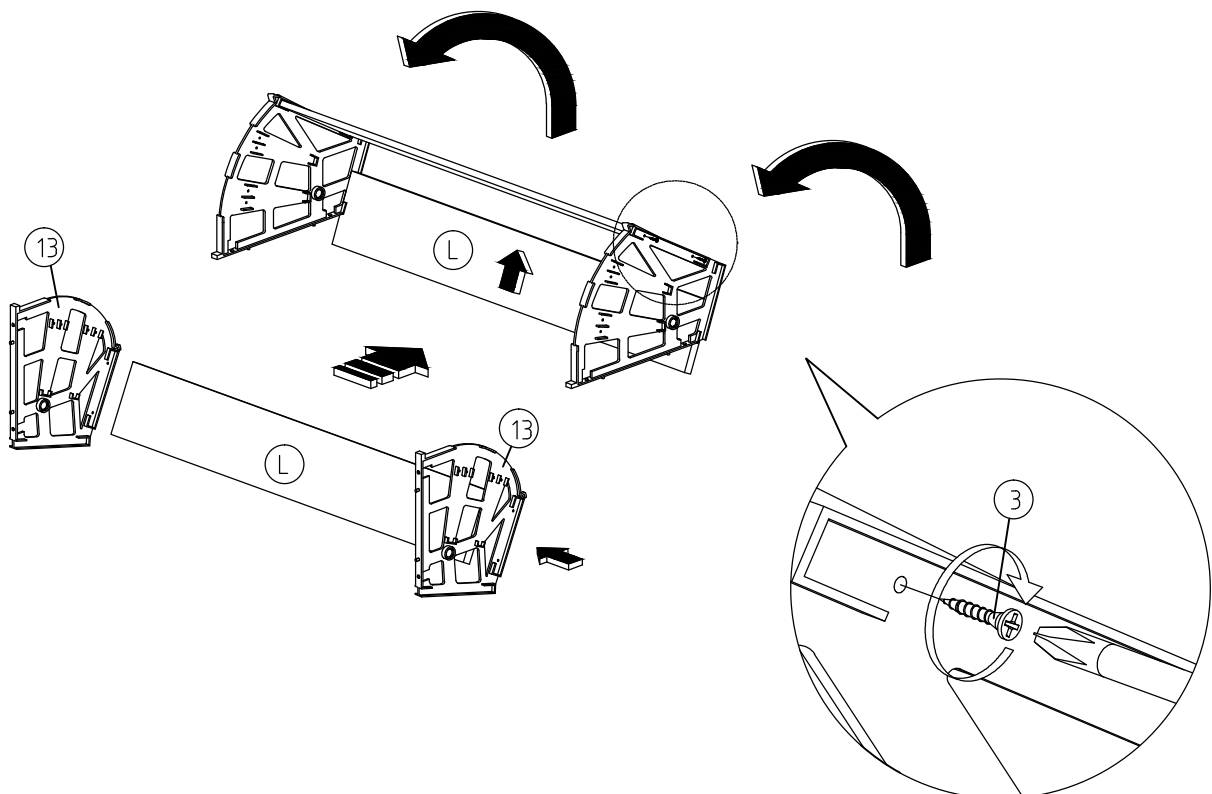


Assembly Instruction

Step 9

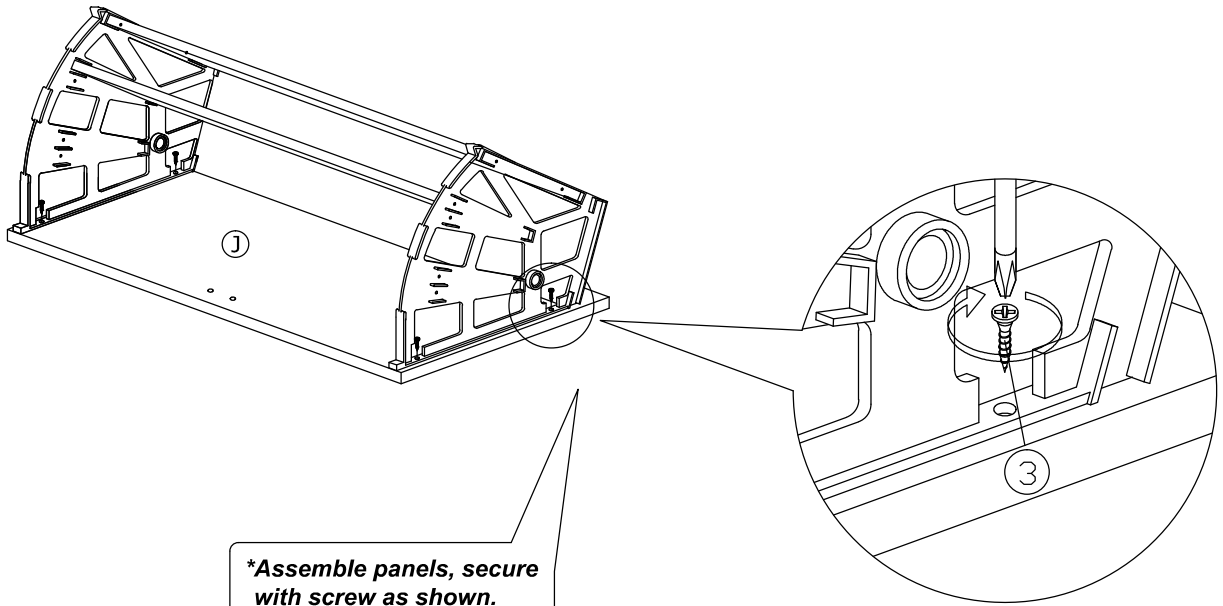


Step 10

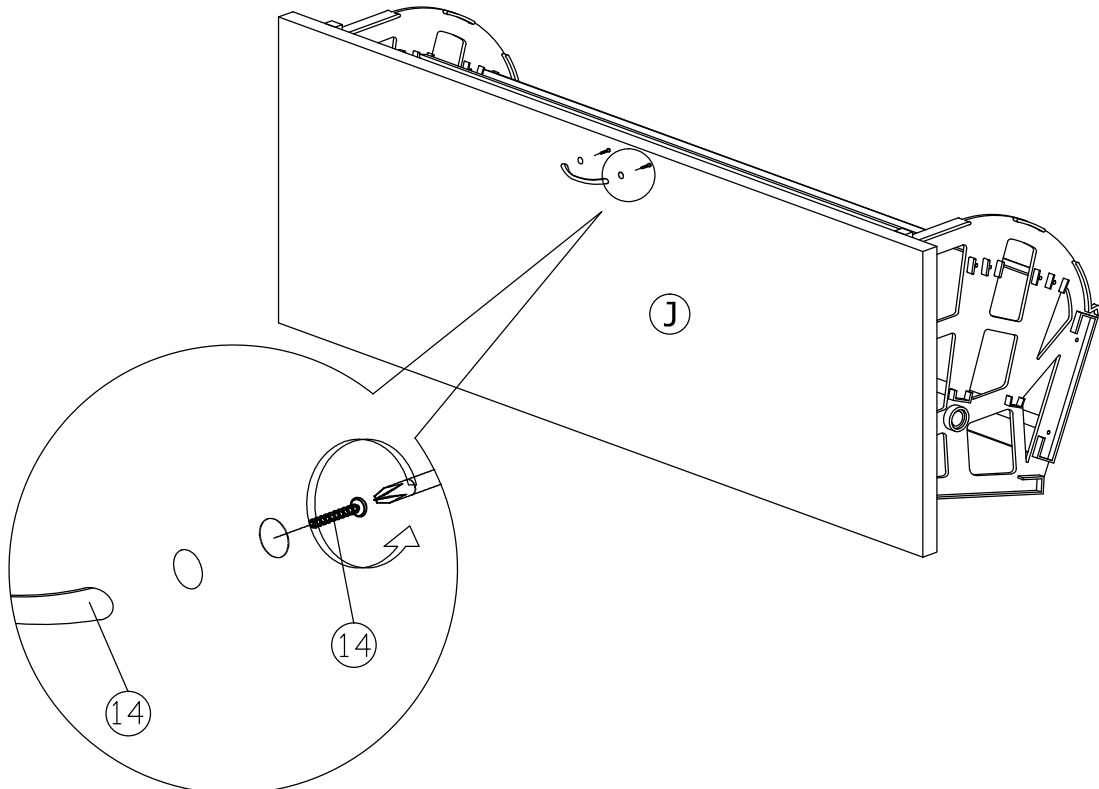


Assembly Instruction

Step 11

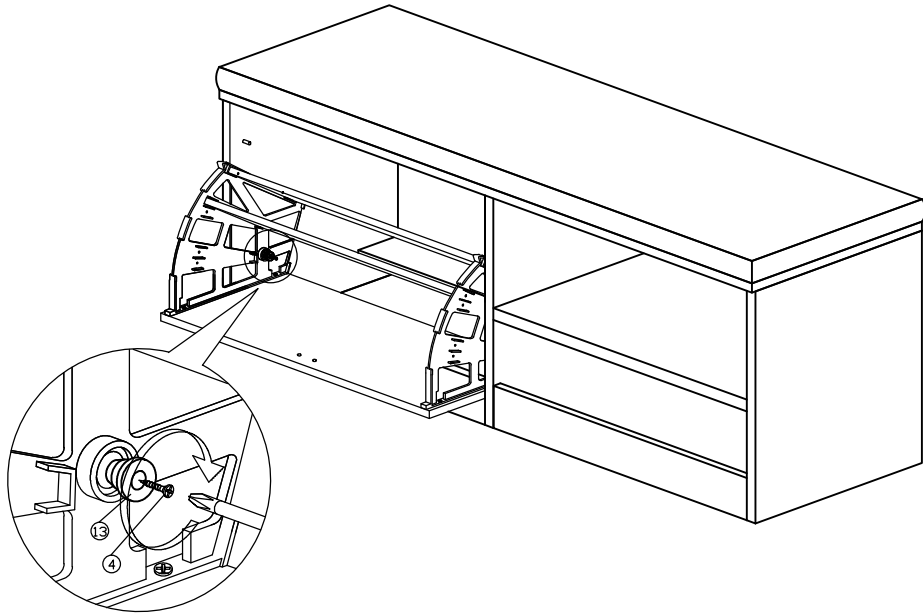


Step 12

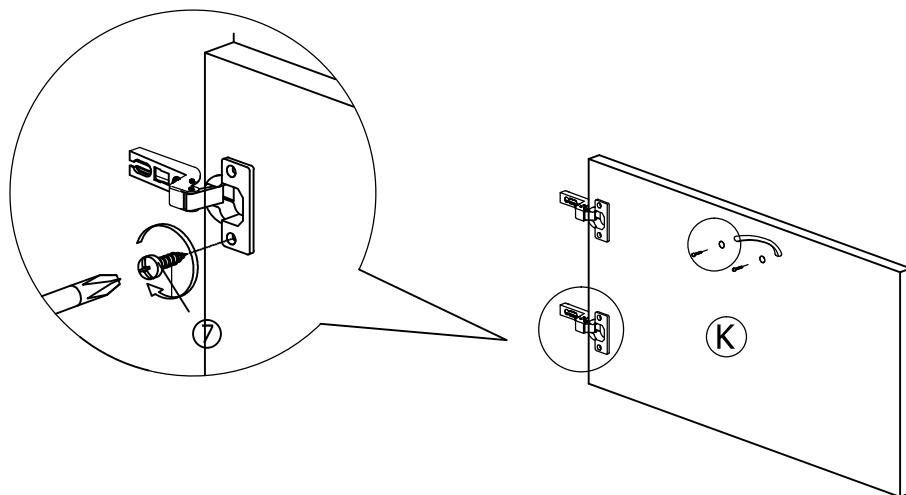


Assembly Instruction

Step 13



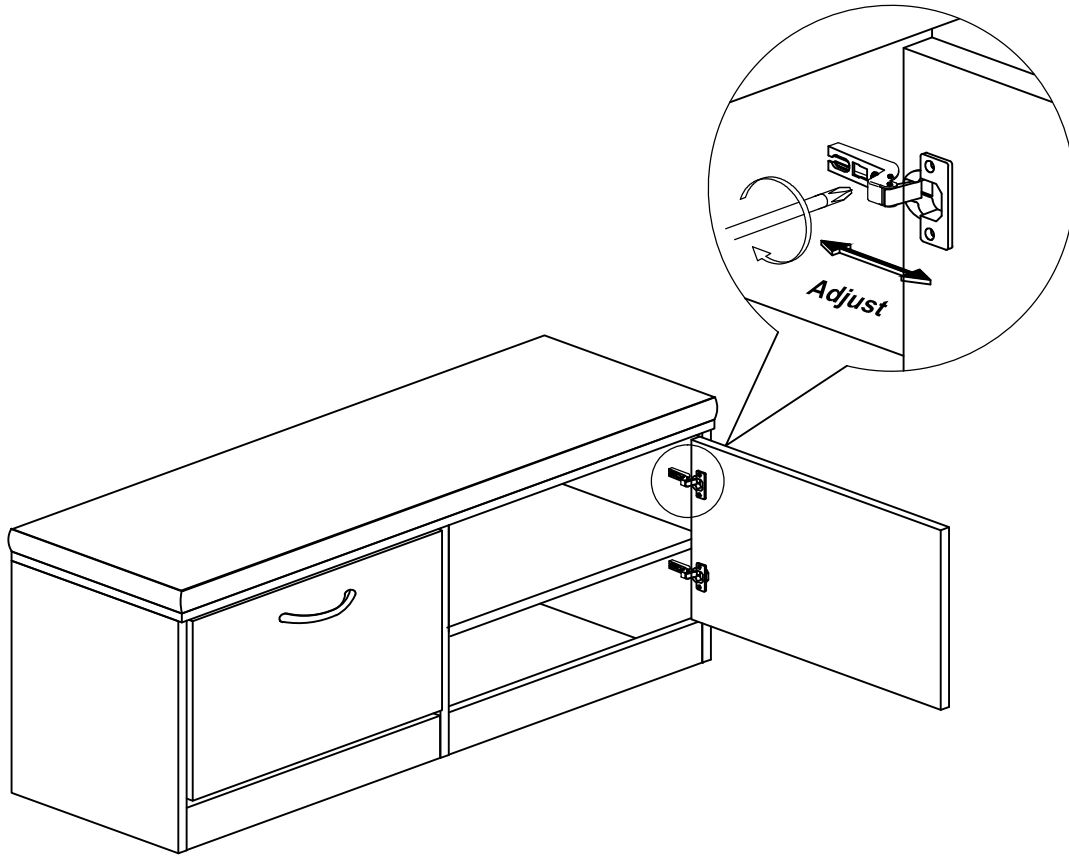
Step 14



****Install 2 pcs Hinges with
TP 10#x1/2" screw as shown.***

Assembly Instruction

Step 15



complete

