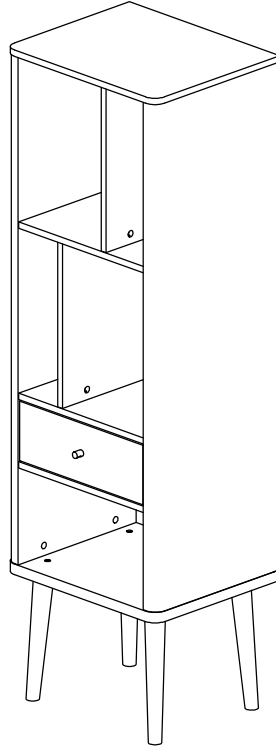
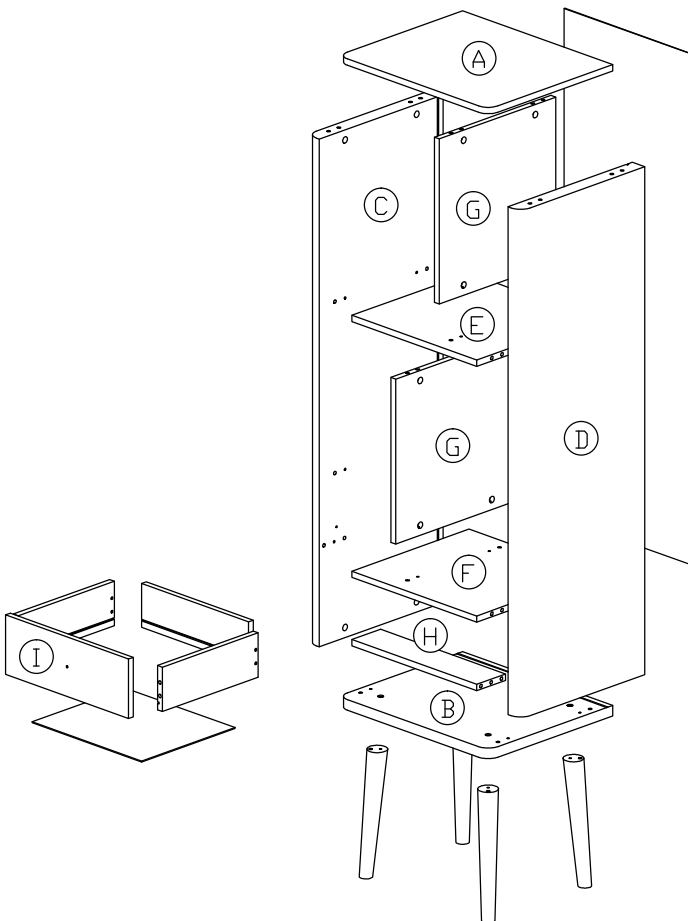


Assembly Instruction

Model : WI6785



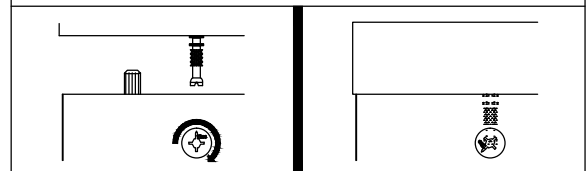
Part List



Hardware List

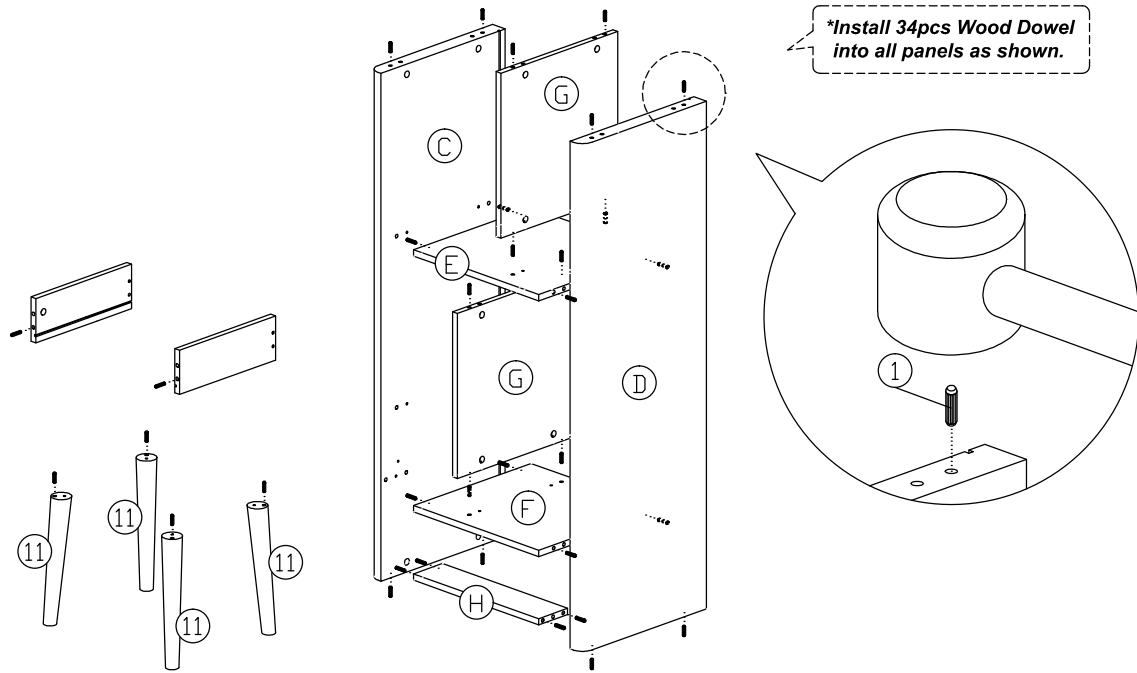
No.	SHAPE	DESCRIPTION	Qty.
1		8x25mm Wood Dowel	34Pcs
2		15MM Titus Mini Fix	28Sets
3		M5x8mm Screw (Euro Screw)	4Pcs
4		M3.5x15mm Screw	4Pcs
5		M4x38mm Screw	4Pcs
6		M6x50mm Screw	4Pcs
7		L Key	1Pc
8		Nail	6Pcs
9		15mm Minifix Cap	10Pcs
10		15mm Minifix Cap	8Pcs
11		Wooden Leg (Ø46x302mm)	4Pcs
12		Drawer Slide = 300mm	1Set
13		Wood Handle Ø15x20 M4x25mm (Handle Screw)	1Set

Dowel / Cam - Lock Installation

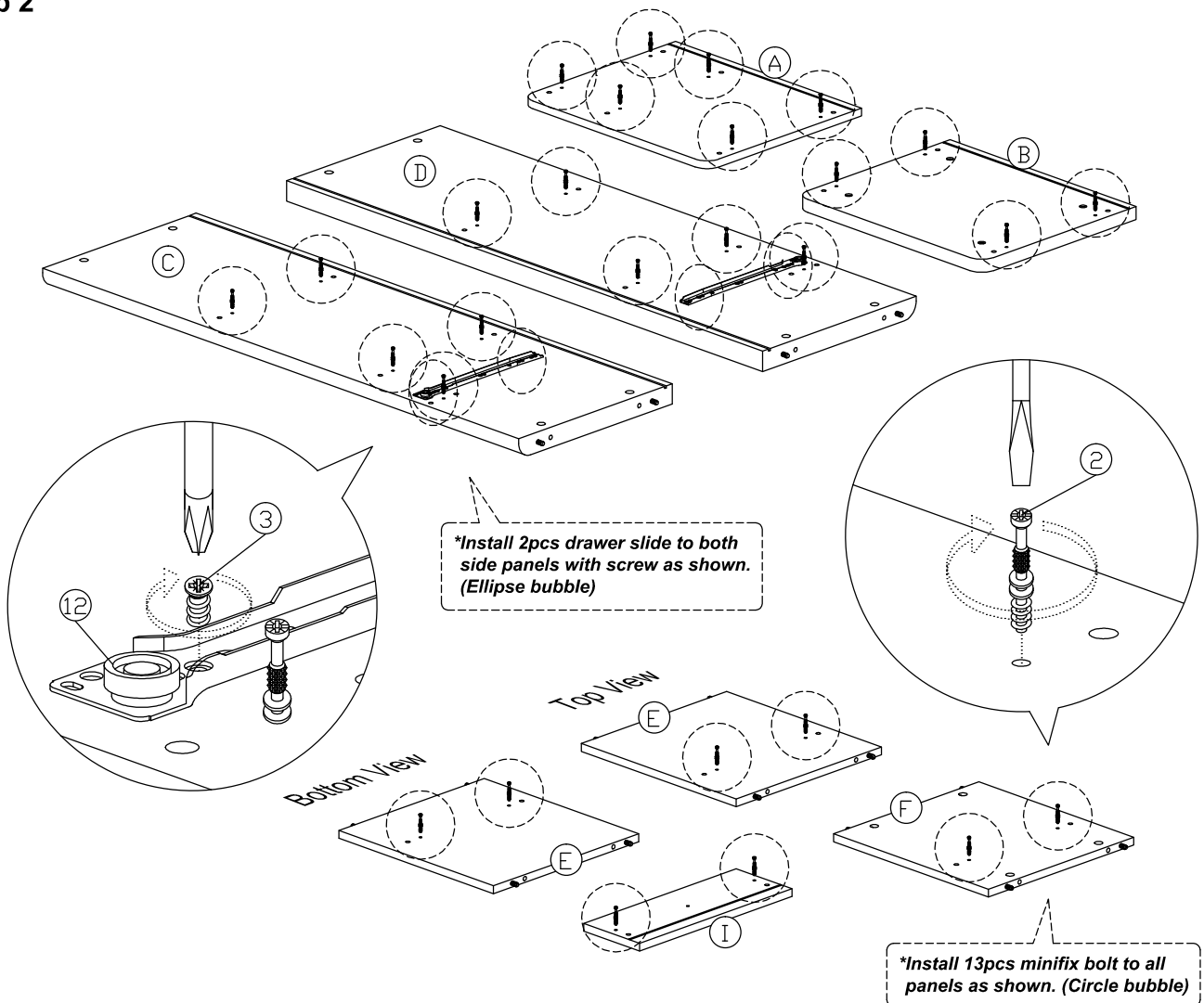


Assembly Instruction

Step 1

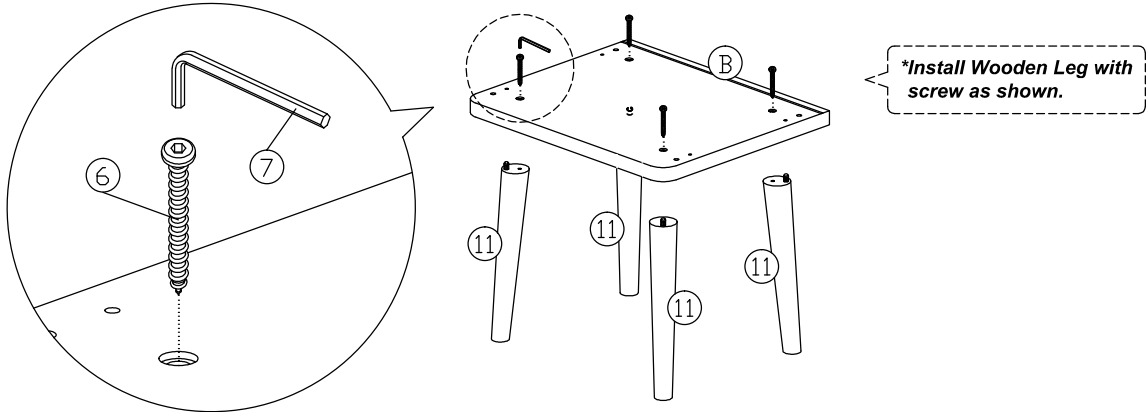


Step 2

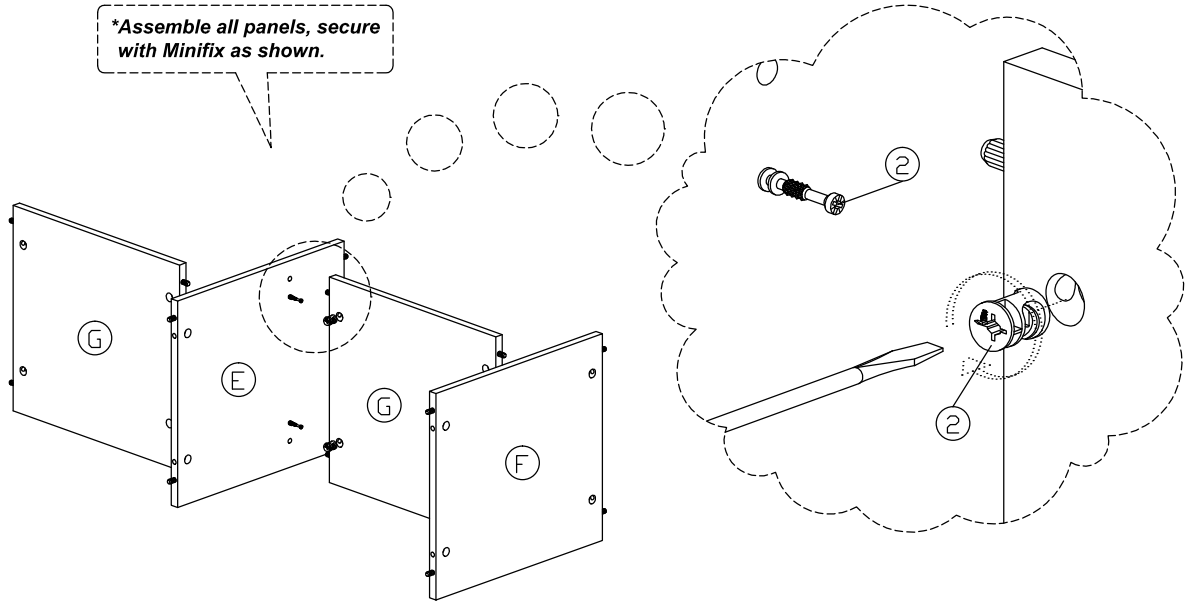


Assembly Instruction

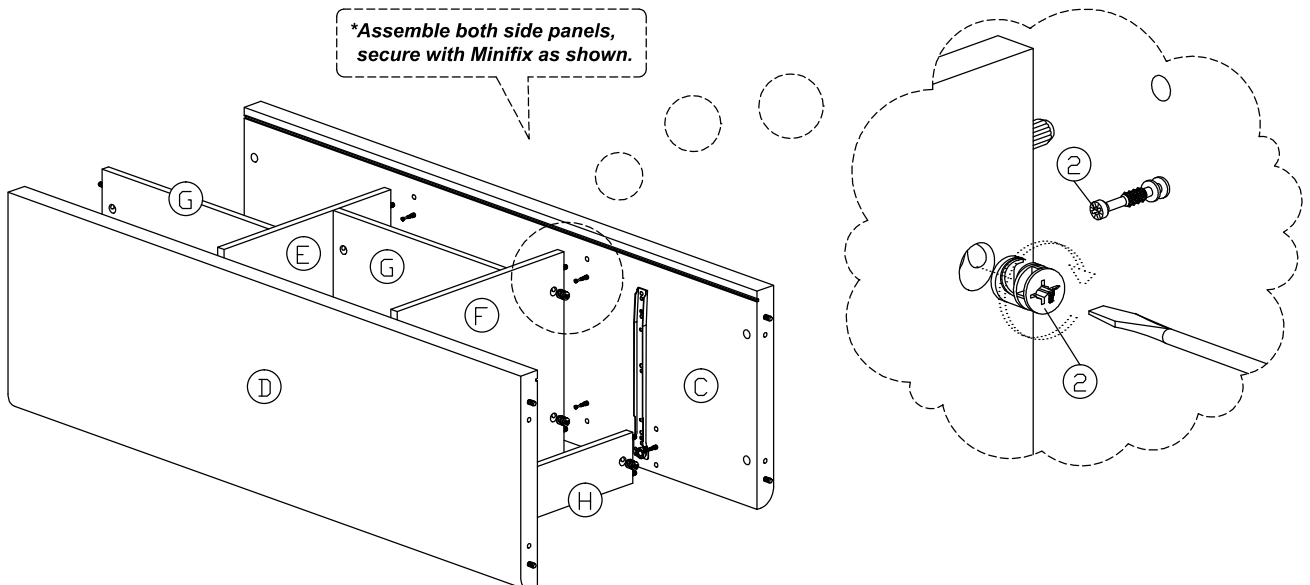
Step 3



Step 4

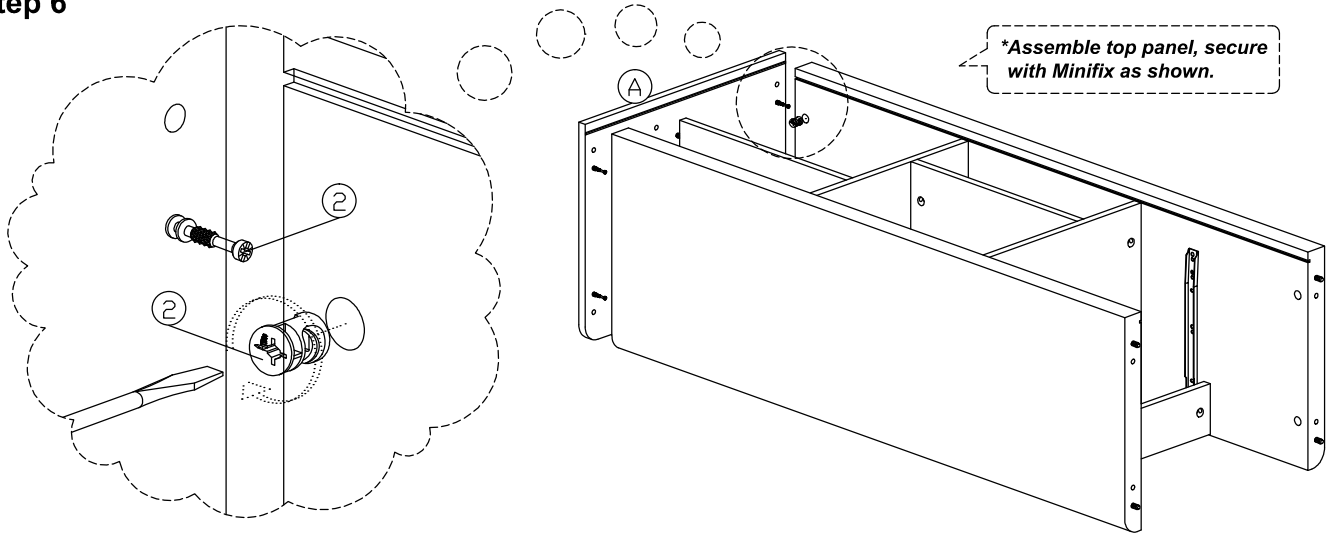


Step 5

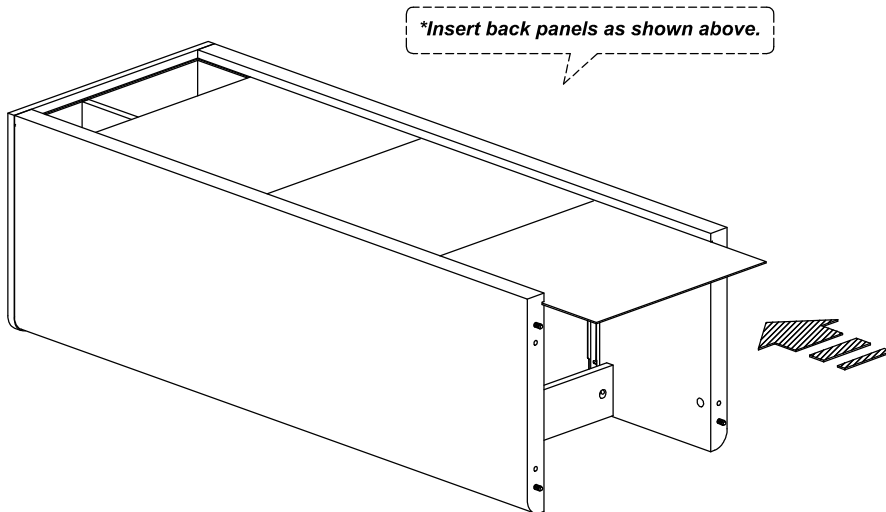


Assembly Instruction

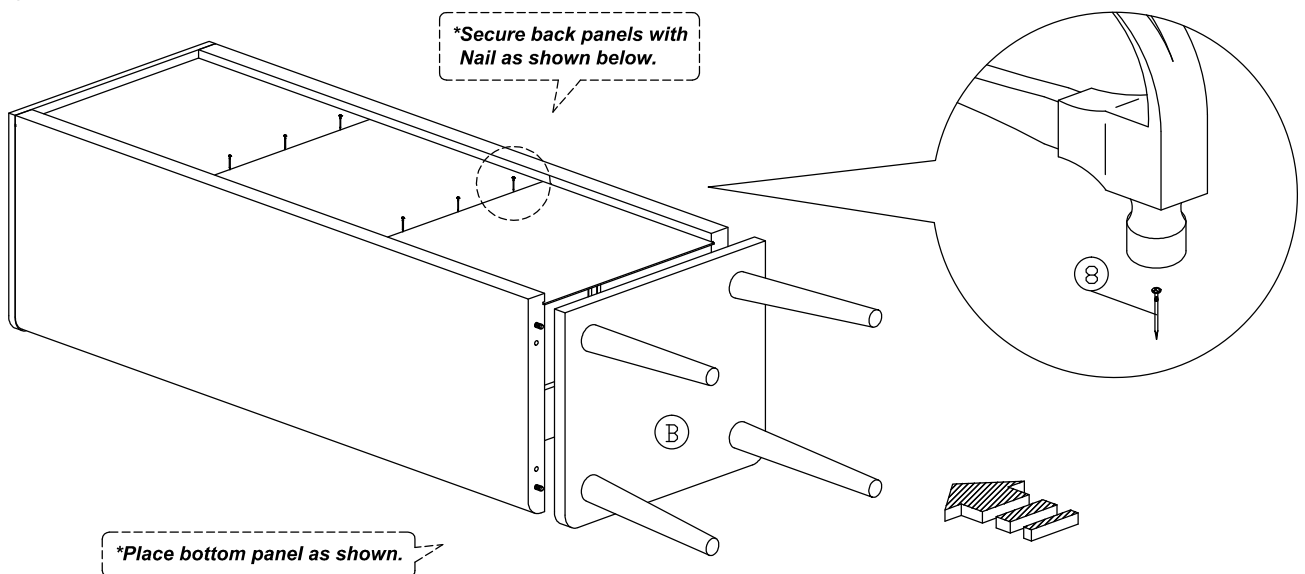
Step 6



Step 7

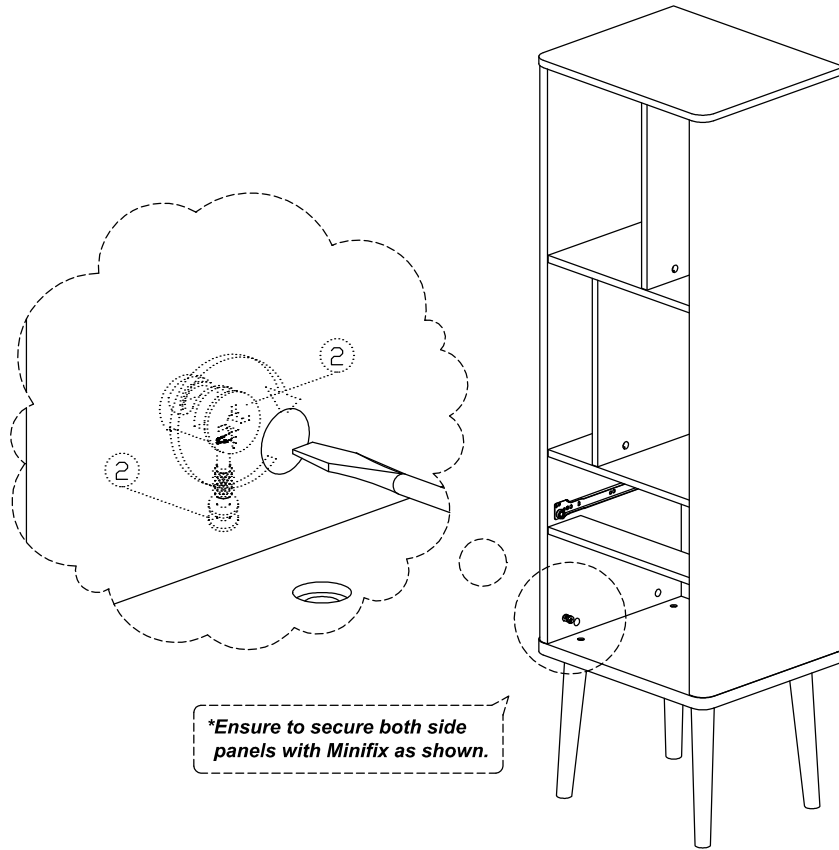


Step 8

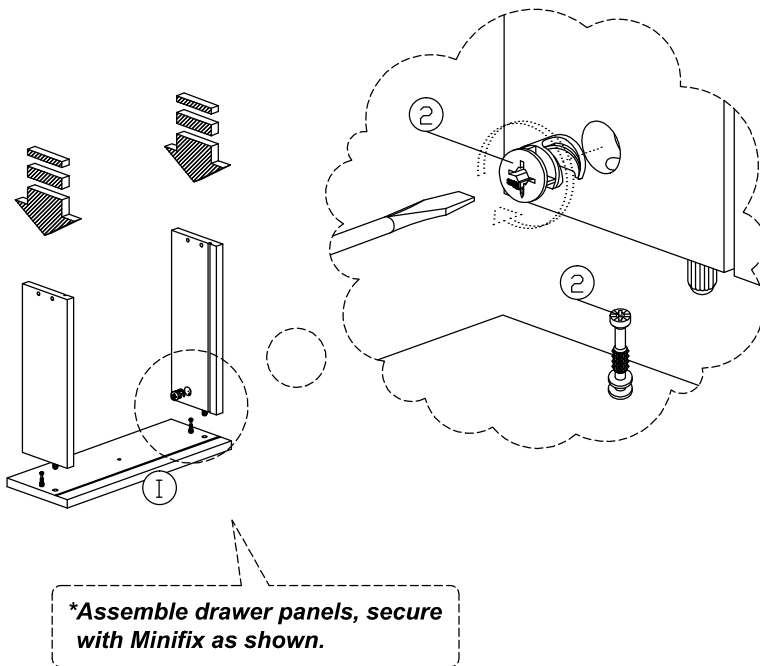


Assembly Instruction

Step 9

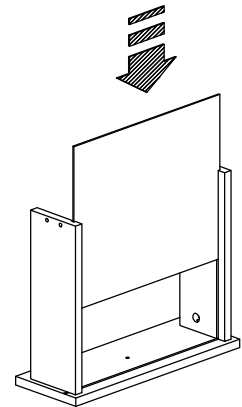


Step 10



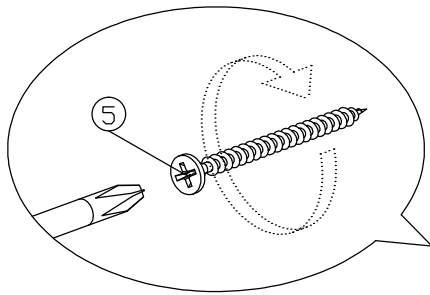
Step 11

**Insert drawer bottom as shown.*

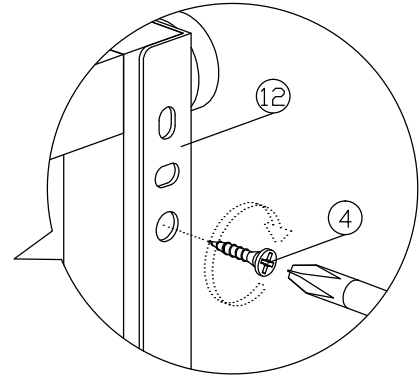
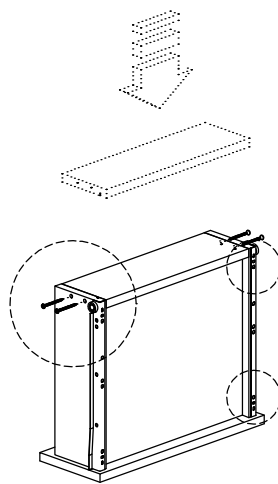


Assembly Instruction

Step 12

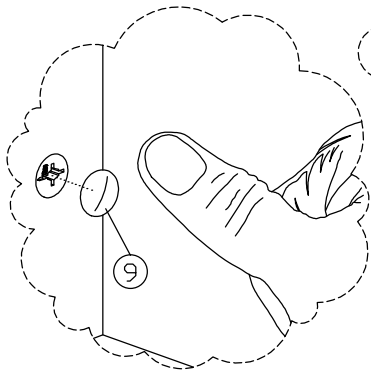


**Insert drawer back, secure with screw as shown.*

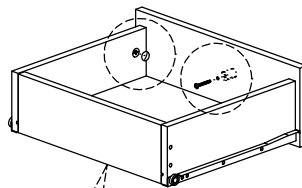


**Install Drawer Slide with screw as shown.*

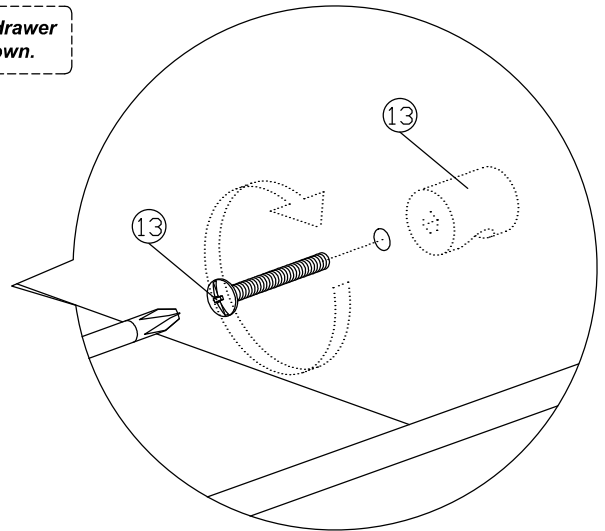
Step 13



**Attach Minifix Cap to both drawer side panels as shown.*

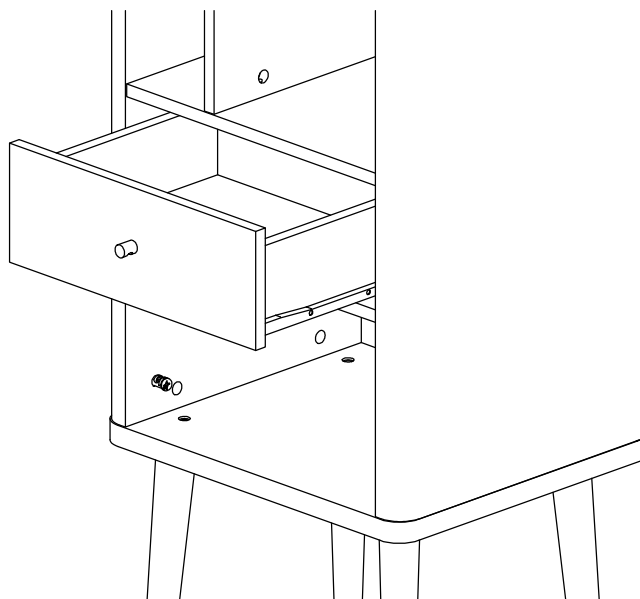
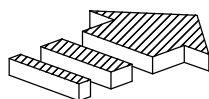


**Install Handle to drawer with screw as shown.*



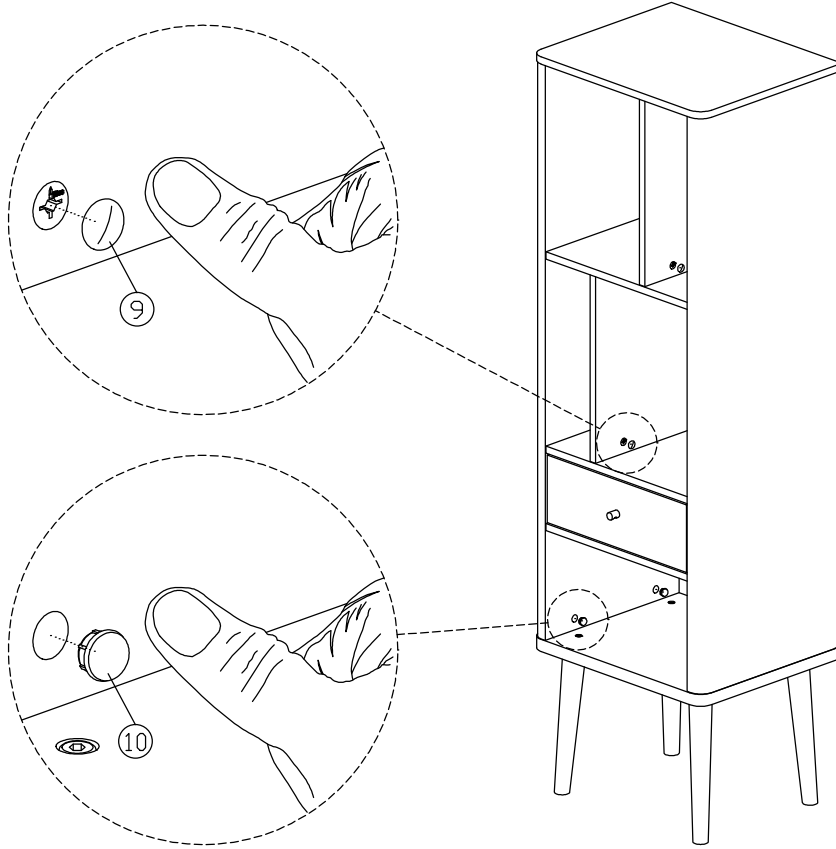
Step 14

**Insert drawer into cabinet as shown.*



Assembly Instruction

Step 15



Complete

