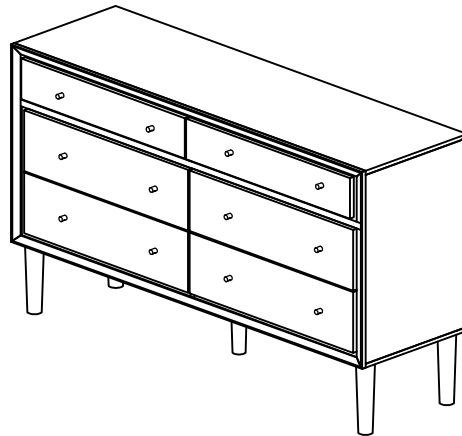
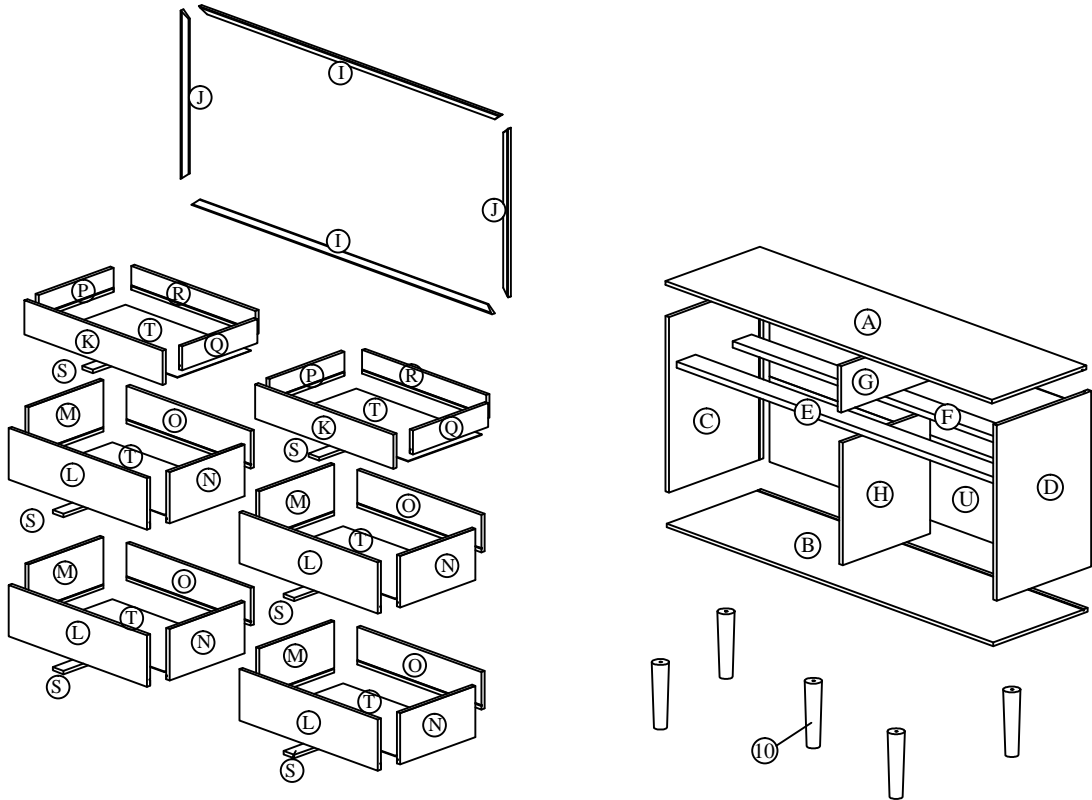


Assembly Instruction

Model : WI6781



Part List

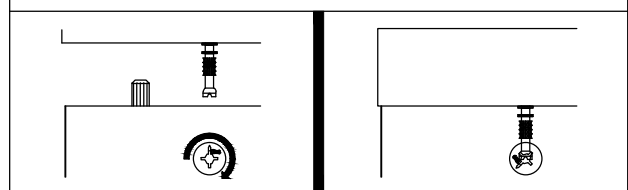


Hardware List

No.	SHAPE	DESCRIPTION	Qty.
1		8x25mm Wood Dowel	58Pcs
2		15MM Myfix Minifix	44Sets
3		M5x38mm Screw	6Pcs
4		M6x40mm "W"	5Pcs
5		M4x38mm Screw	30Pcs
6		M3.5x15mm Screw	48Pcs
7		M5x8mm Screw (Euro Screw)	24Pcs

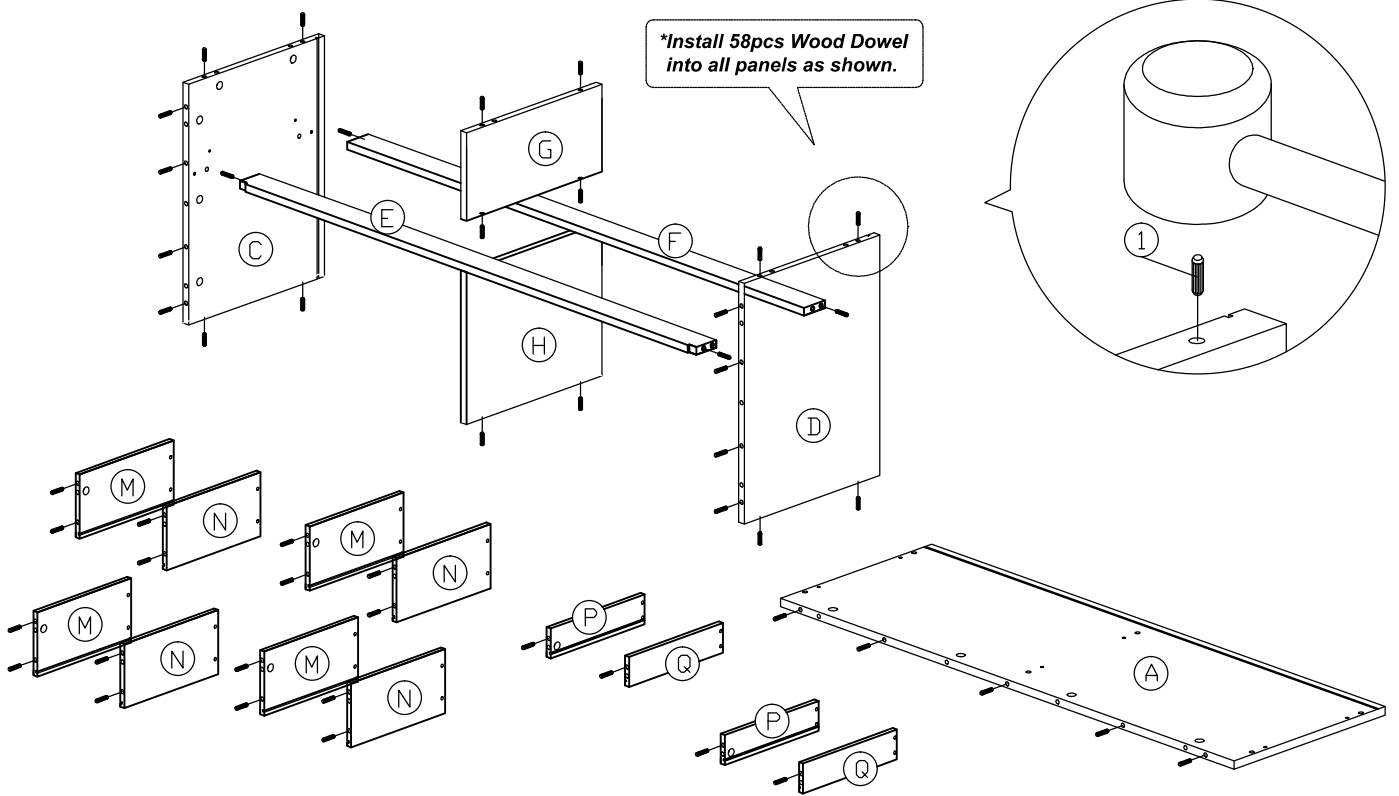
11		PVC Drawer Pin	12Pcs
12		Handle Wood Ø15x20mm Handle Screw (M4 x25mm)	12sets
13		Minifix Cap	12Pcs

Dowel / Cam - Lock Installation

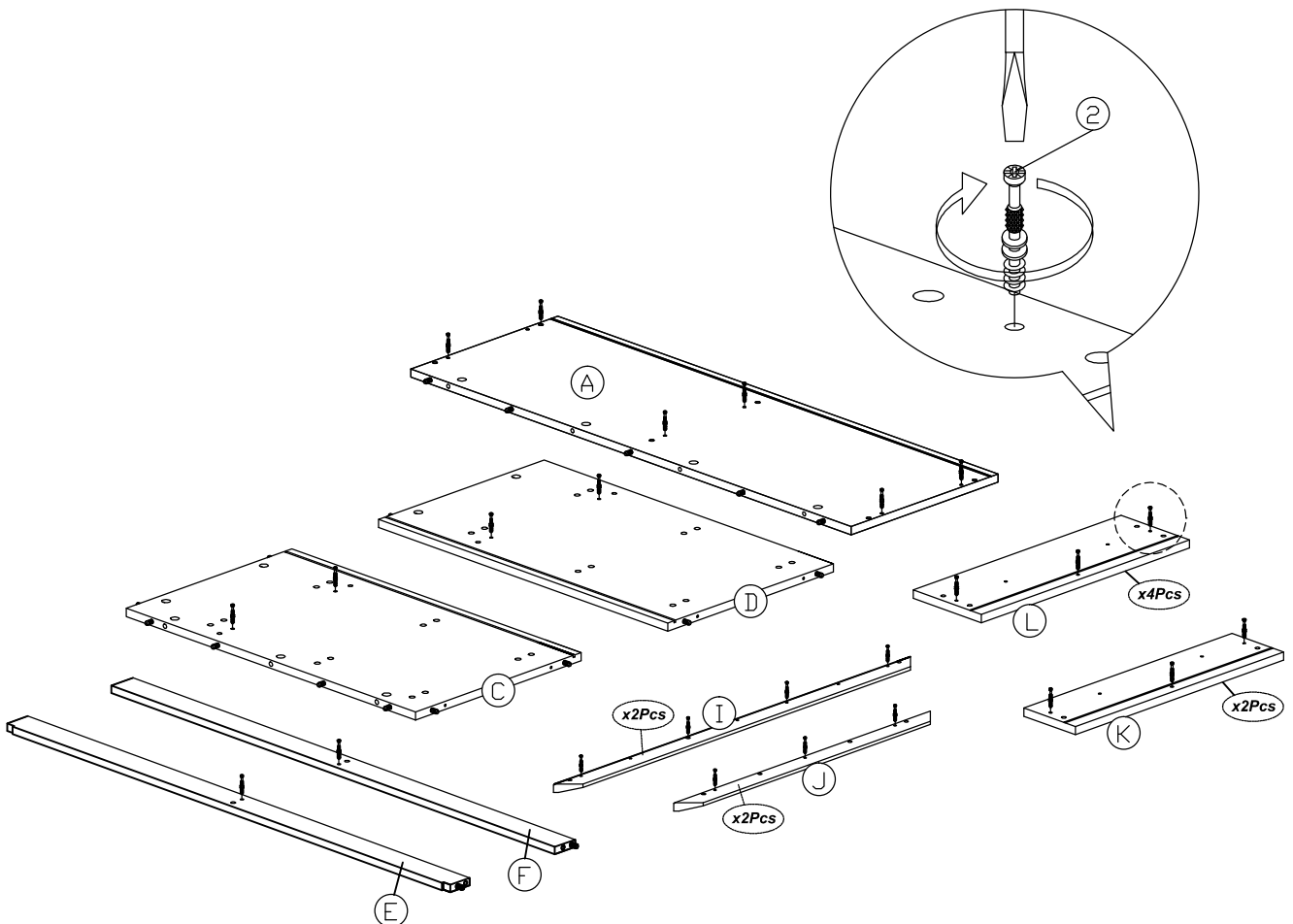


Assembly Instruction

Step 1

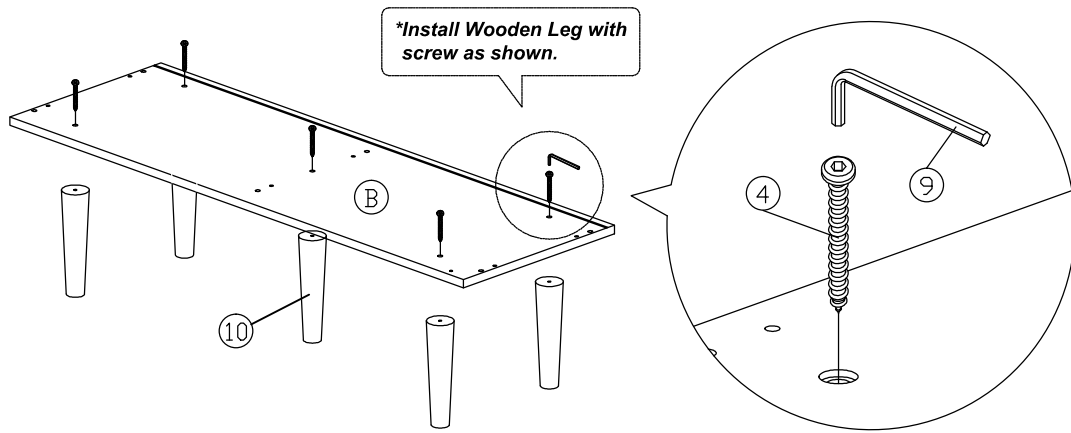


Step 2

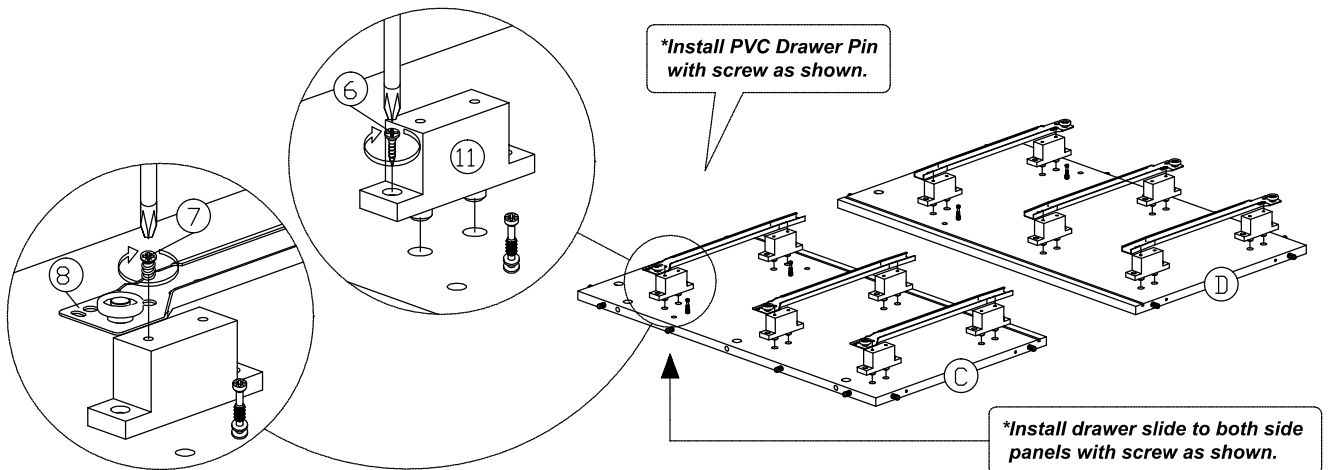


Assembly Instruction

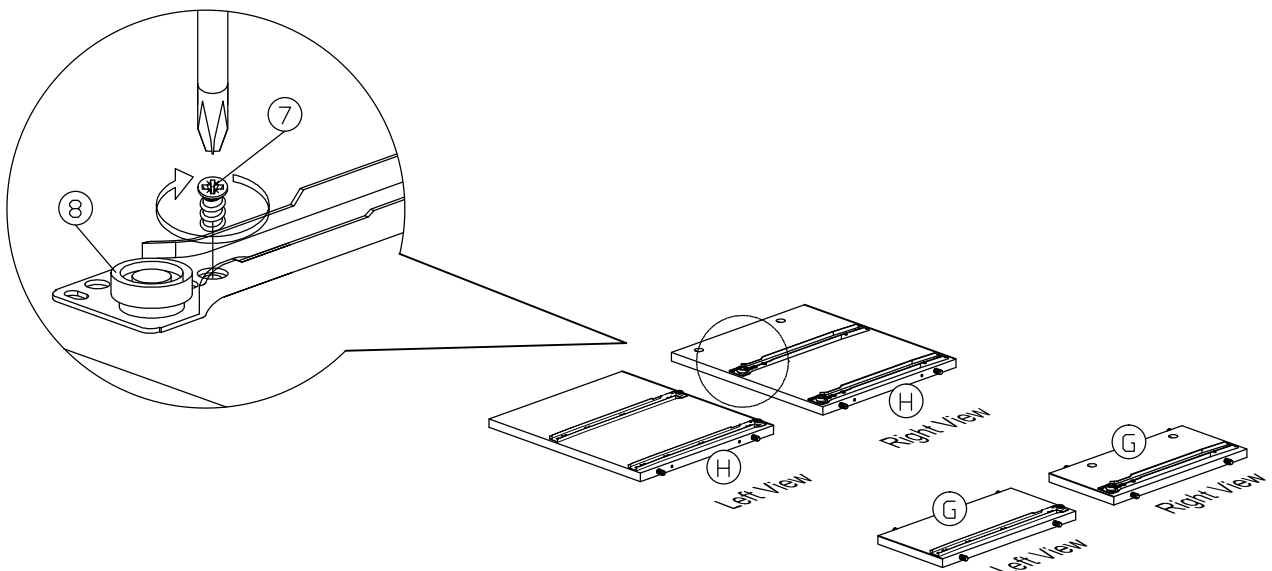
Step 3



Step 4

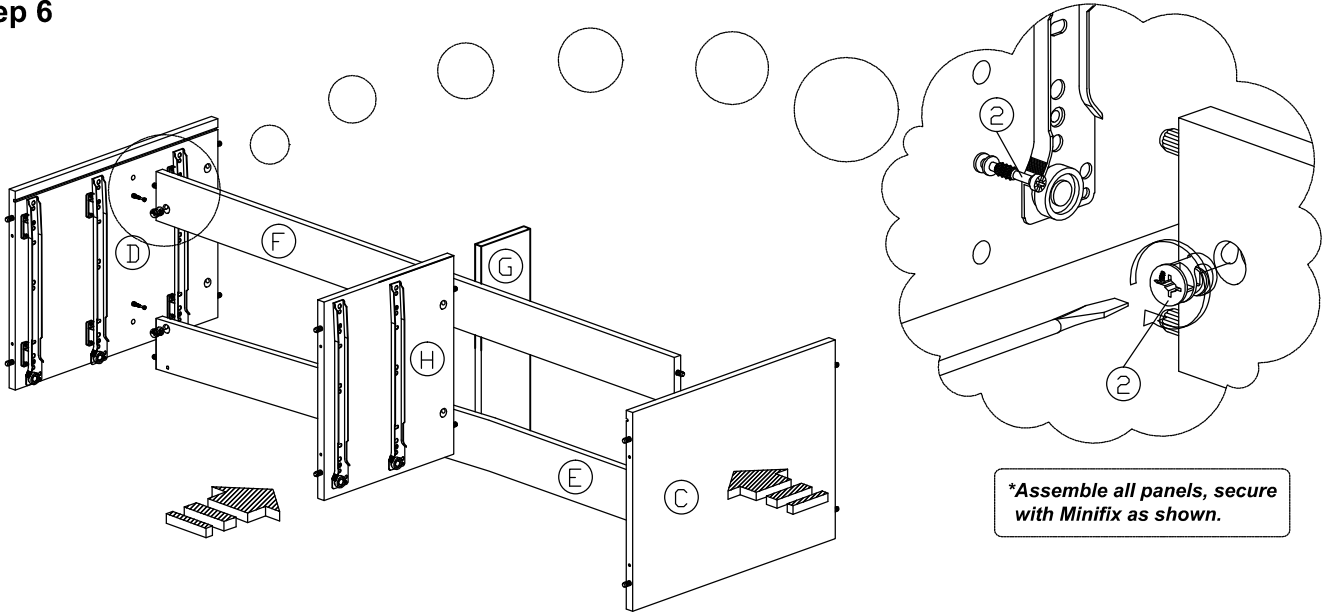


Step 5

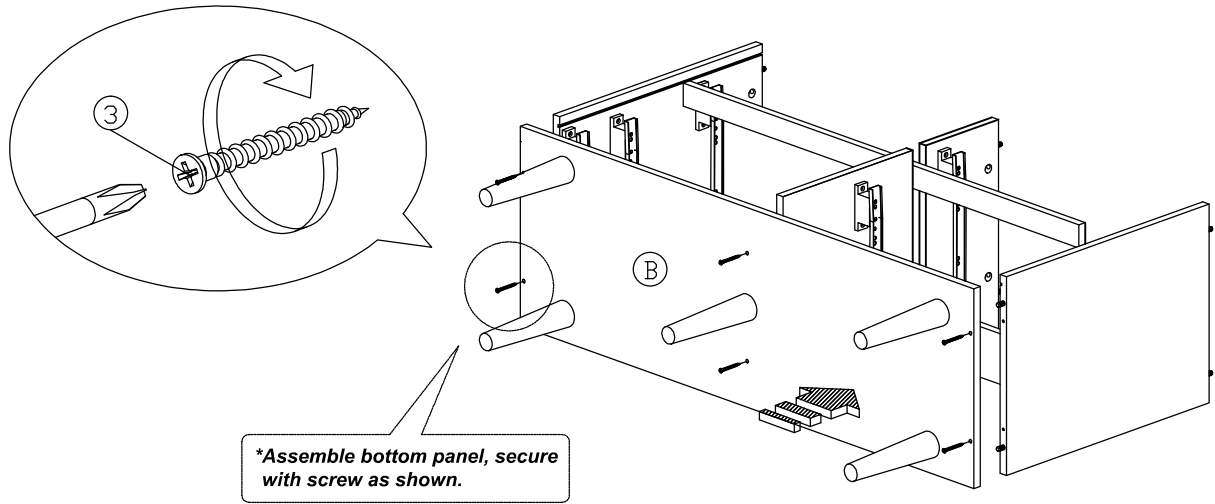


Assembly Instruction

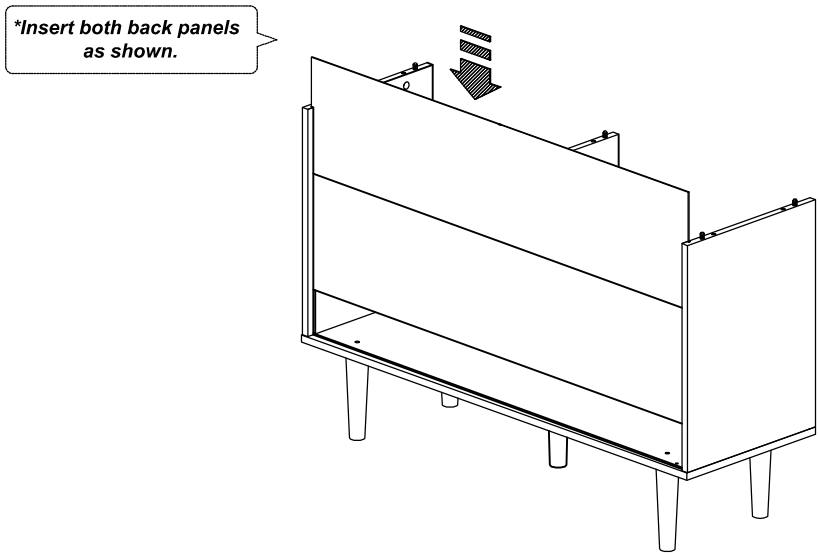
Step 6



Step 7

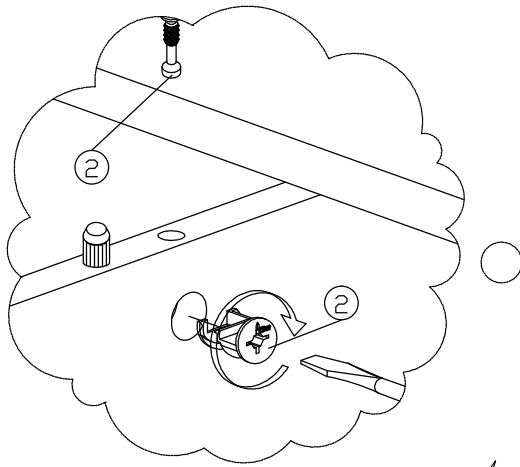


Step 8

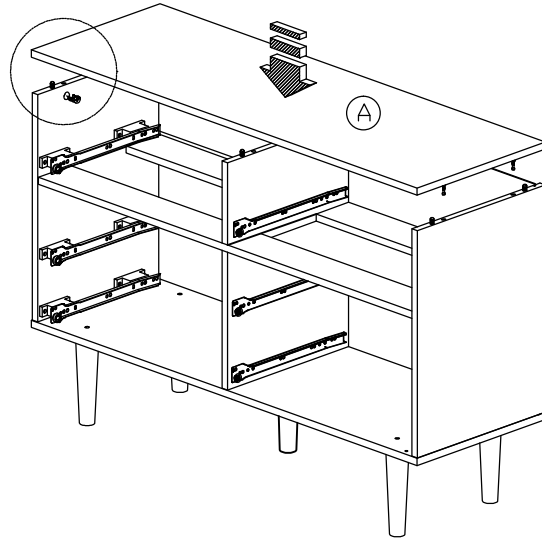


Assembly Instruction

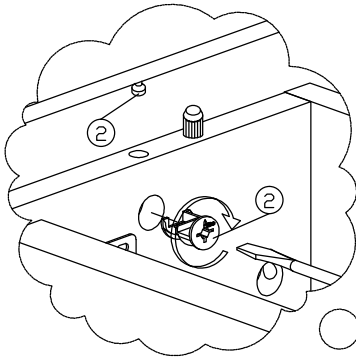
Step 9



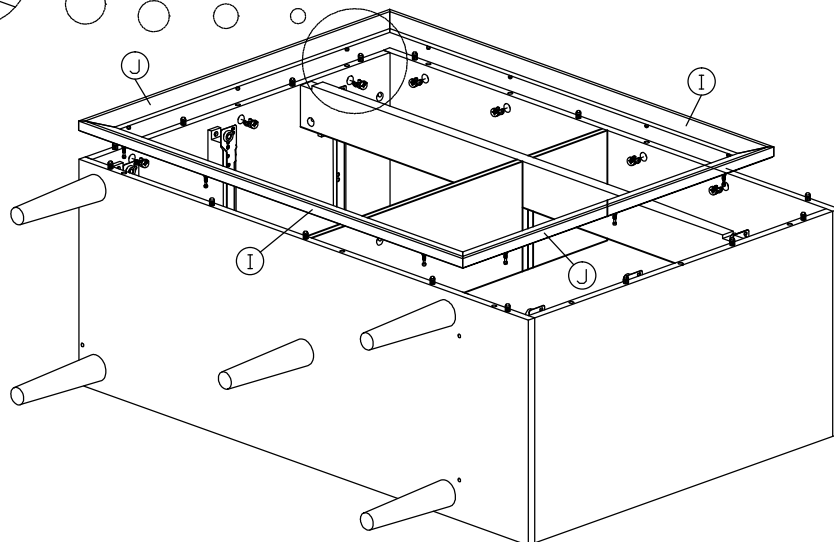
**Assemble top panel, secure with Minifix as shown.*



Step 10

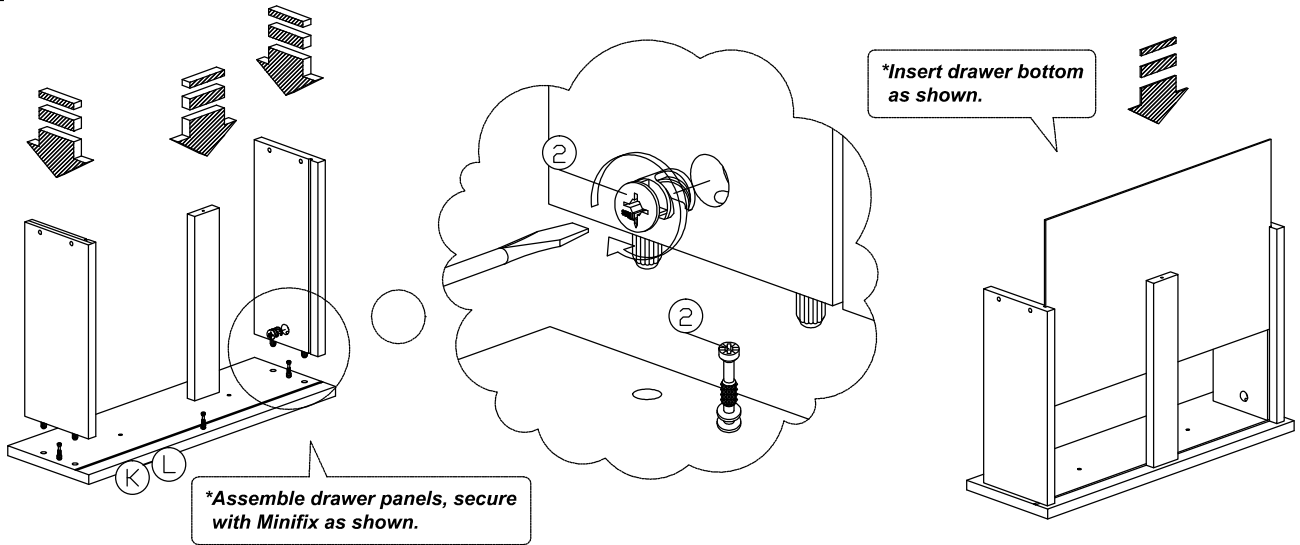


**Assemble all panels, secure with Minifix as shown.*

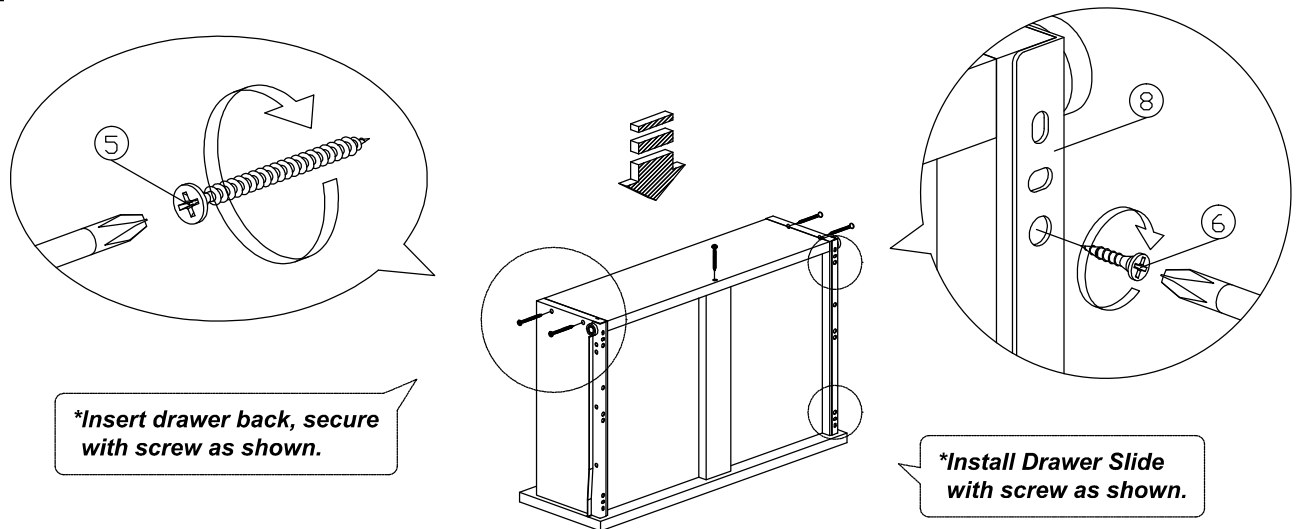


Assembly Instruction

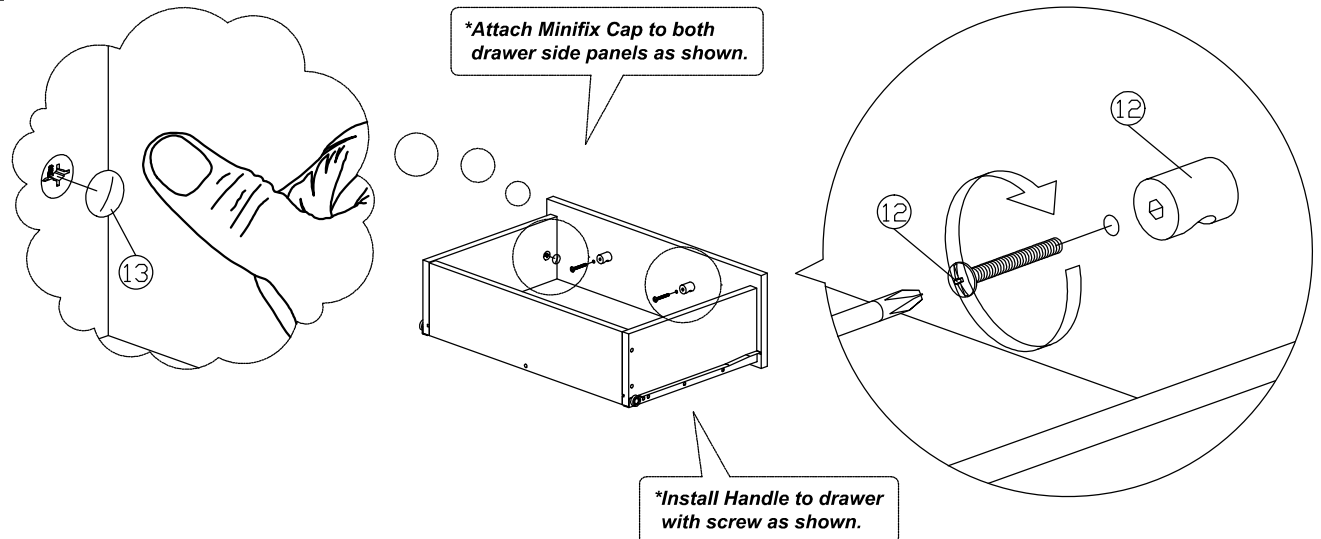
Step 11



Step 12

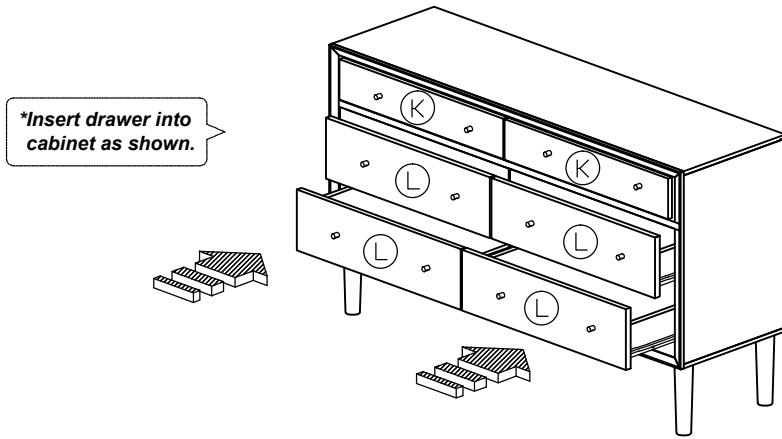


Step 13



Assembly Instruction

Step 14



Completed

