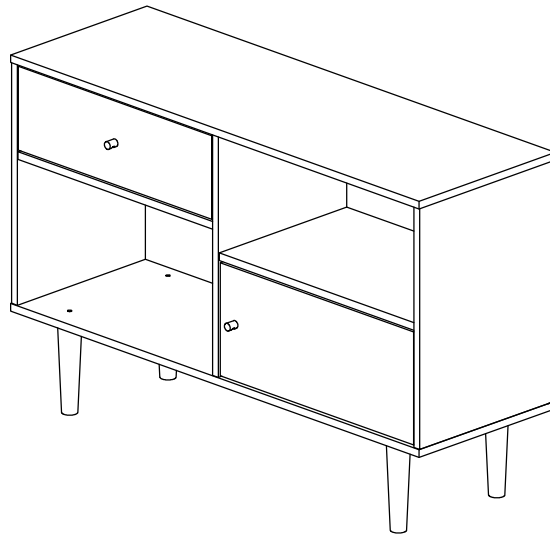
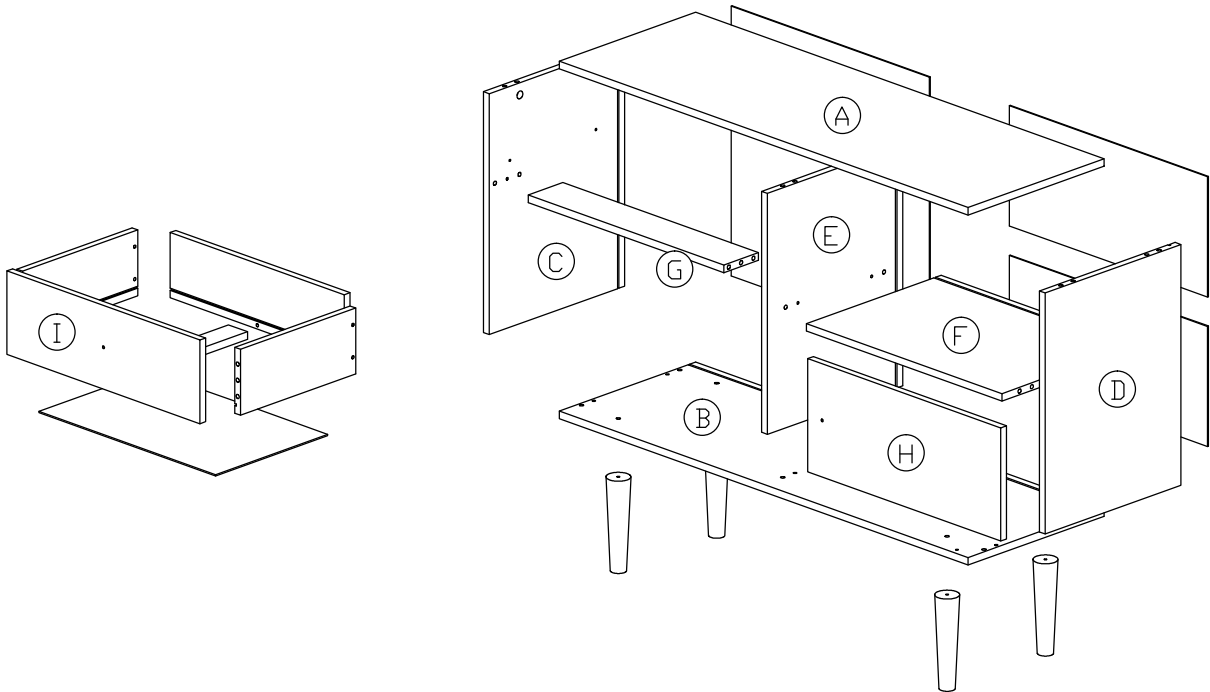


# Assembly Instruction

Model : WI6779

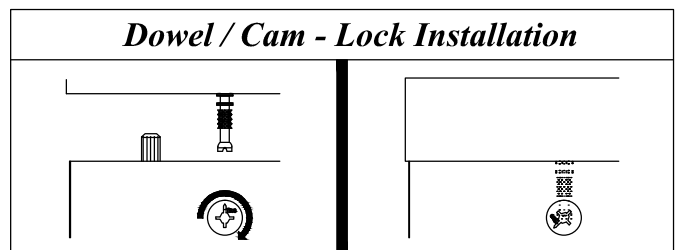


## Part List



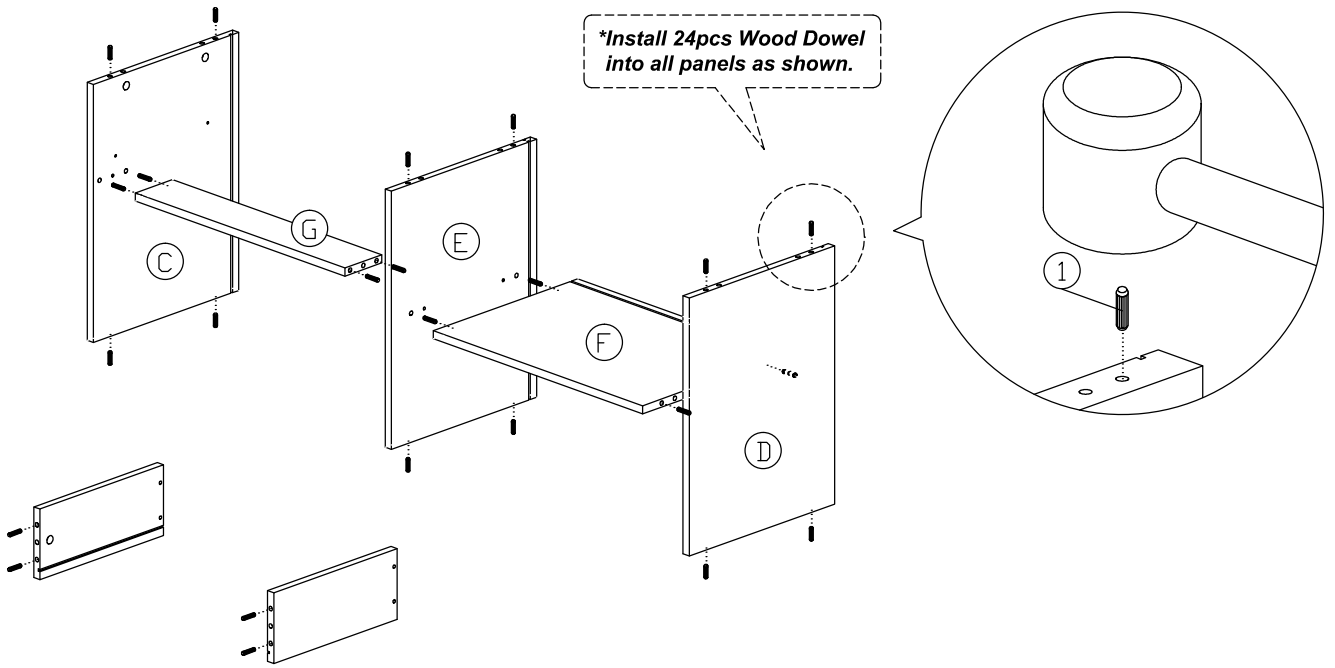
<i>Hardware List</i>			
No.	SHAPE	DESCRIPTION	Qty.
1		<b>8x25mm Wood Dowel</b>	24Pcs
2		<b>15MM Titus Mini Fix</b>	15Sets
3		<b>M5x8mm Screw (Euro Screw)</b>	4Pcs
4		<b>M3.5x15mm Screw</b>	8Pcs
5		<b>M4x38mm Screw</b>	5Pcs
6		<b>M5x38mm Screw</b>	6Pcs
7		<b>M6x40mm Screw</b>	4Pcs
8		<b>L Key</b>	1Pc
9		<b>15mm Minifix Cap</b>	4Pcs
10		<b>MT Stopper</b>	2Pcs

11		<b>Wooden Leg (Ø46x185mm)</b>	4Pcs
12		<b>Drawer Slide = 300mm</b>	1Set
13		<b>Wood Handle Ø15x20 M4x25mm (Handle Screw)</b>	2Sets
14		<b>2 Pin Magnet Flat Head Tapping Screw M6x10mm ZB</b>	1Set

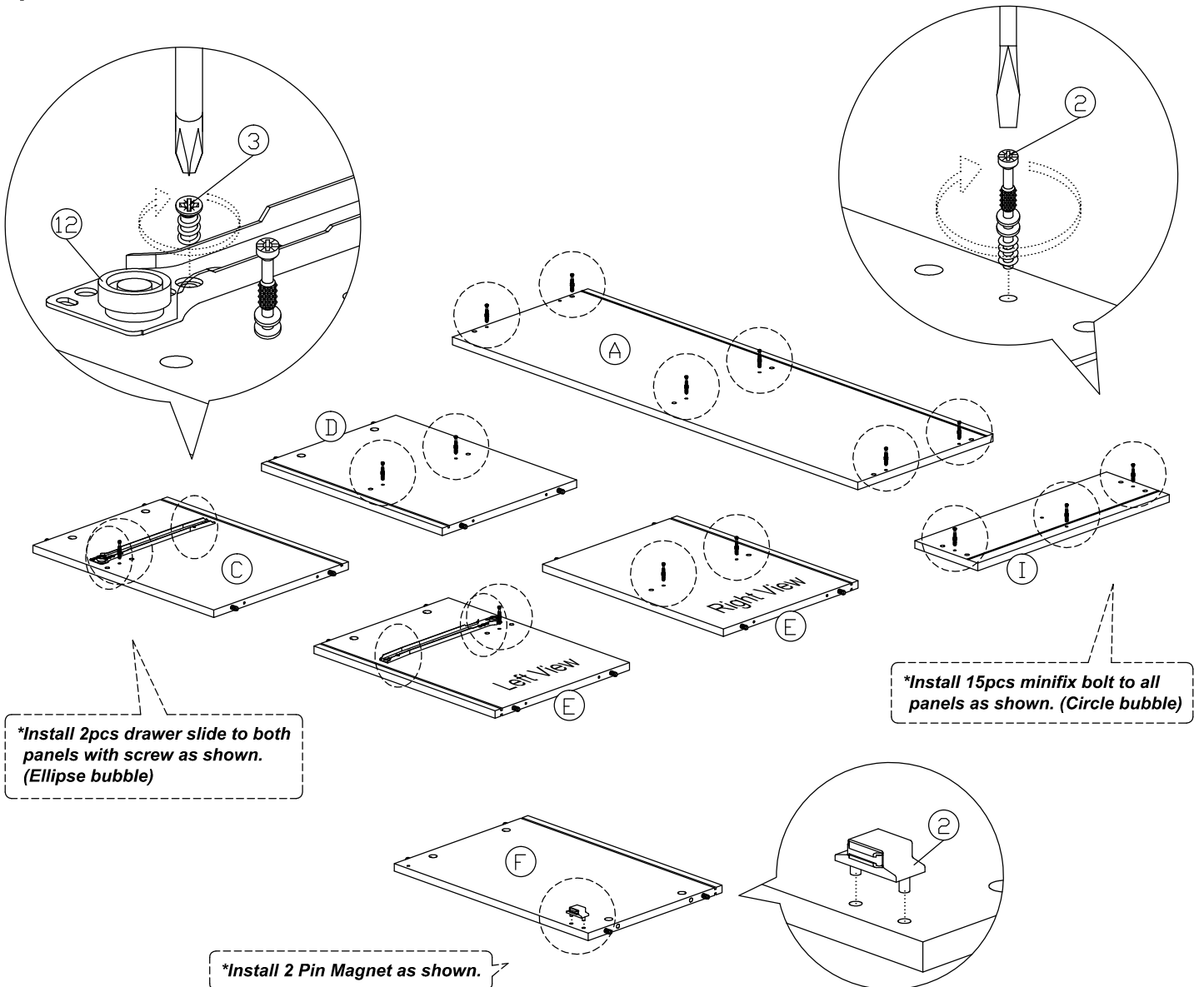


# Assembly Instruction

## Step 1

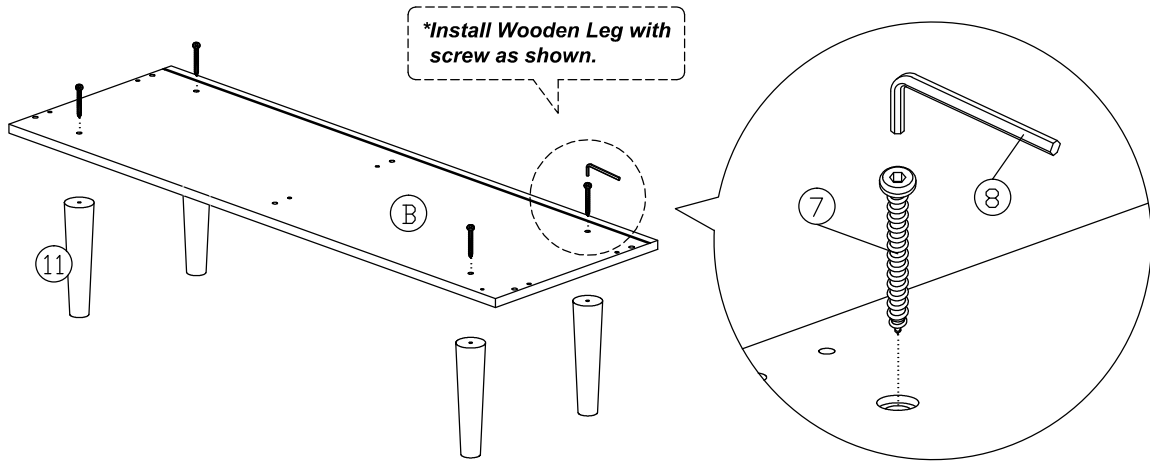


## Step 2

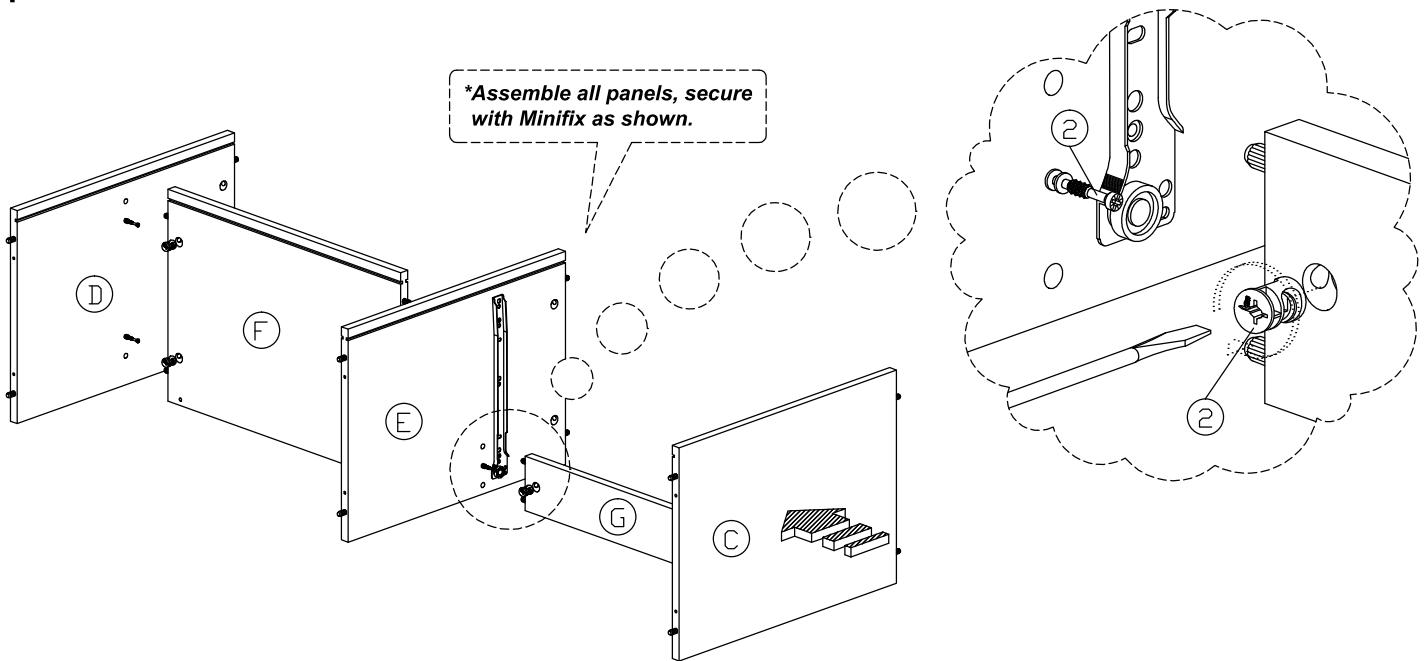


# Assembly Instruction

## Step 3

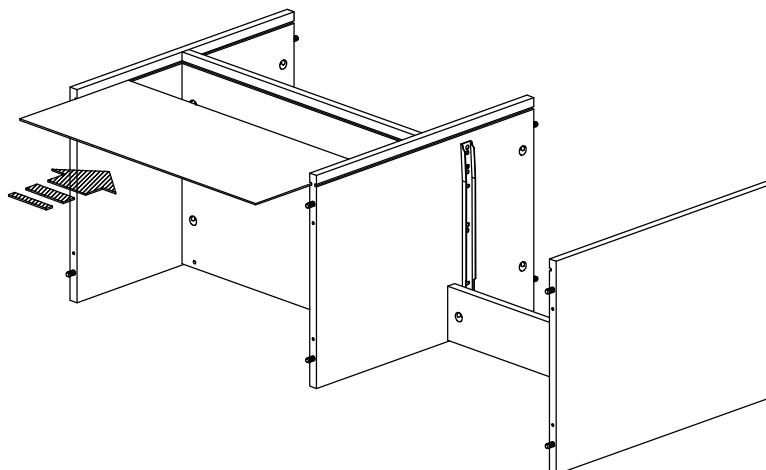


## Step 4



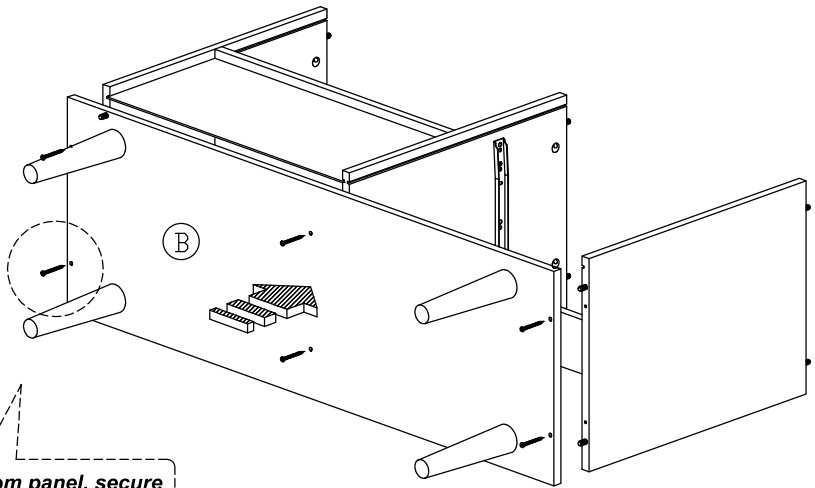
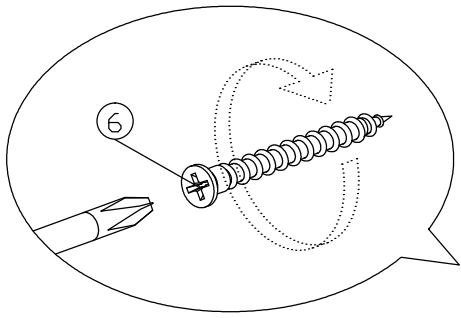
## Step 5

*\*Insert back panels as shown above.*



# Assembly Instruction

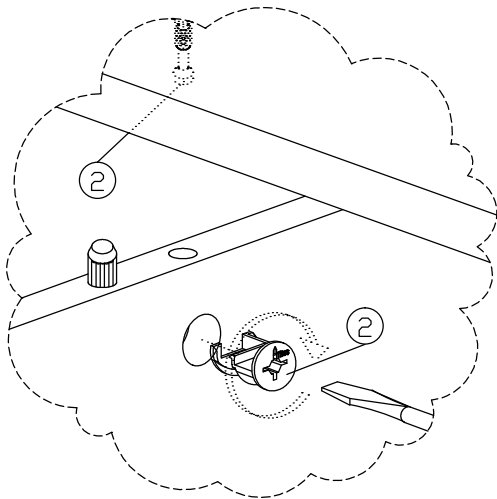
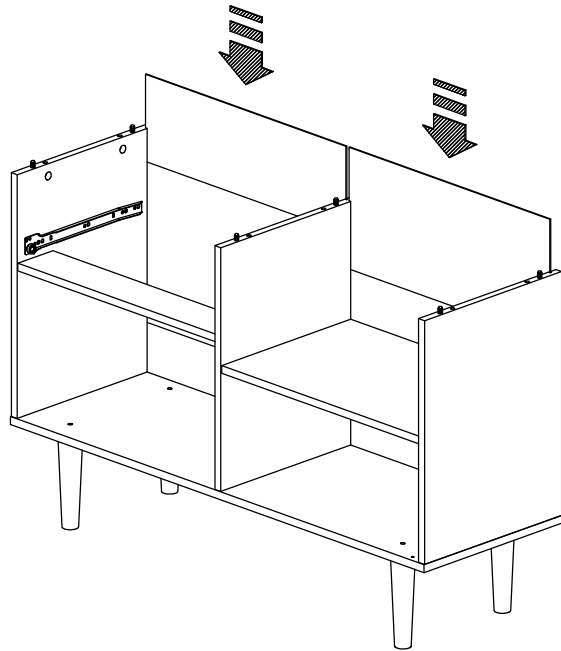
## Step 6



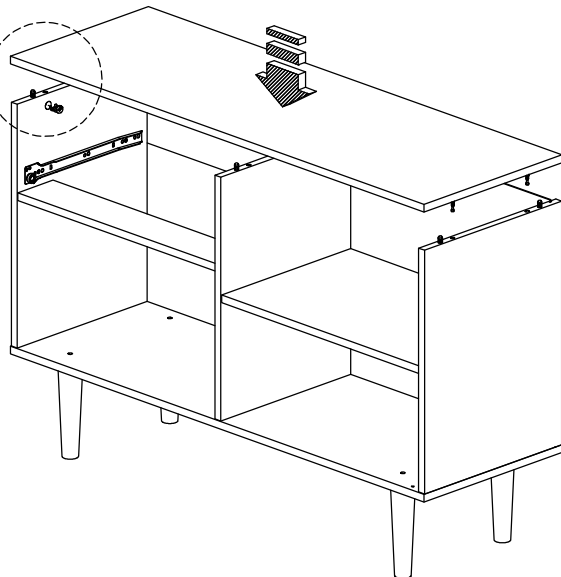
*\*Assemble bottom panel, secure with screw as shown.*

## Step 7

*\*Insert both back panels as shown above.*

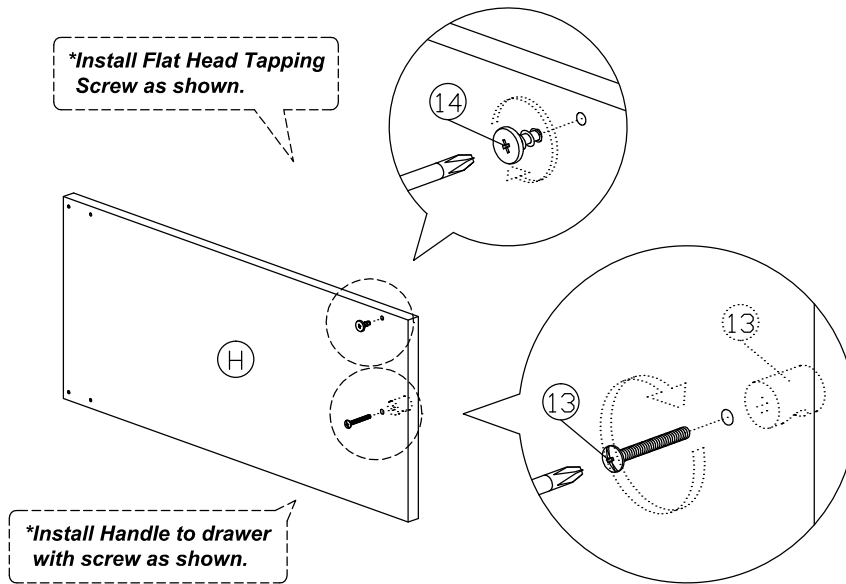


*\*Assemble top panel, secure with Minifix as shown.*

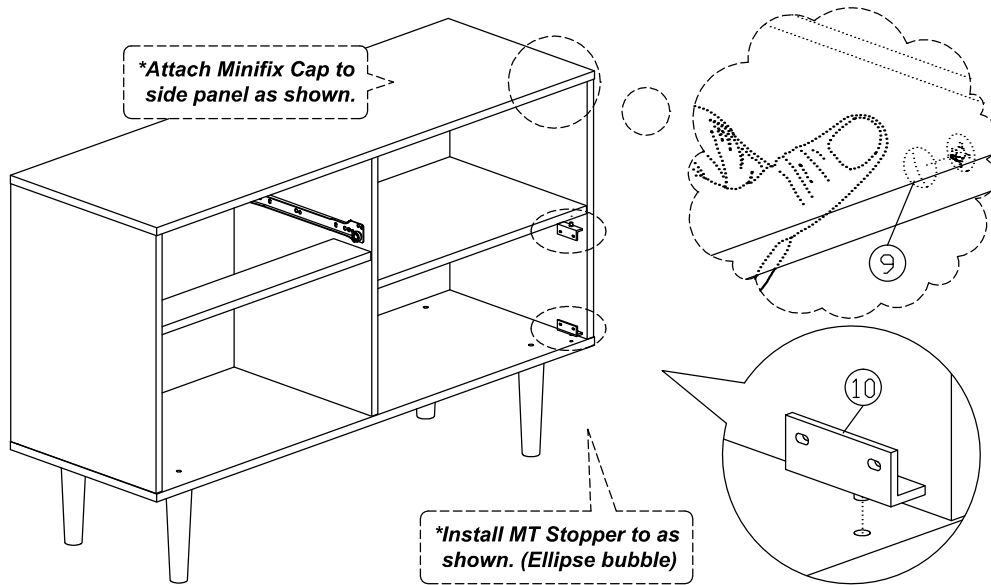


# Assembly Instruction

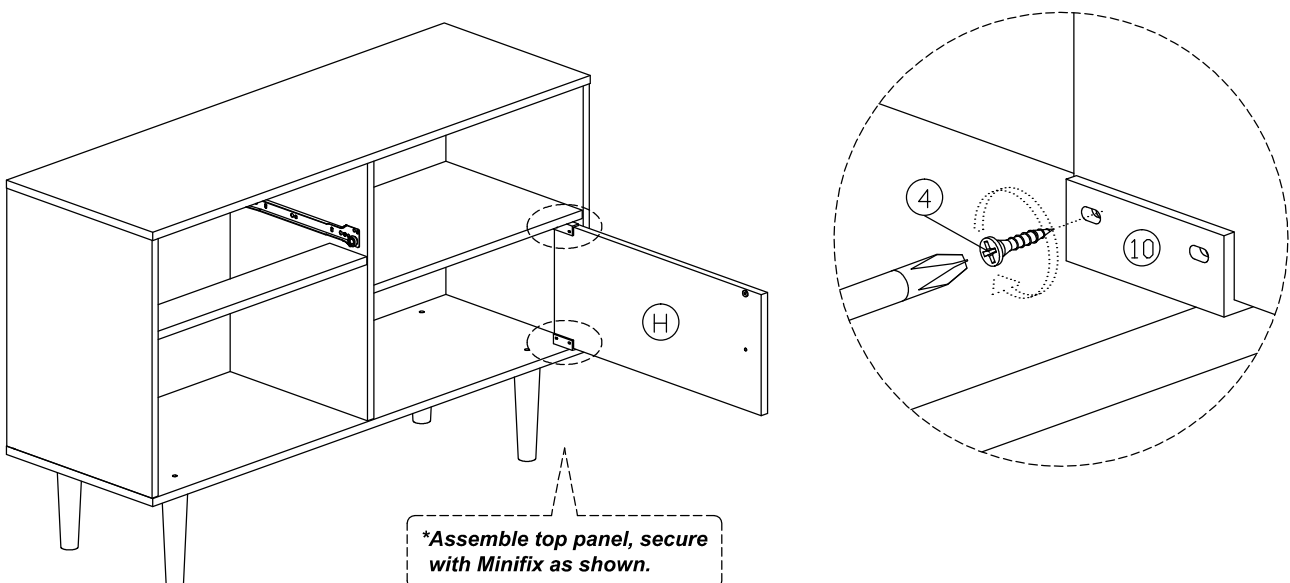
## Step 8



## Step 9

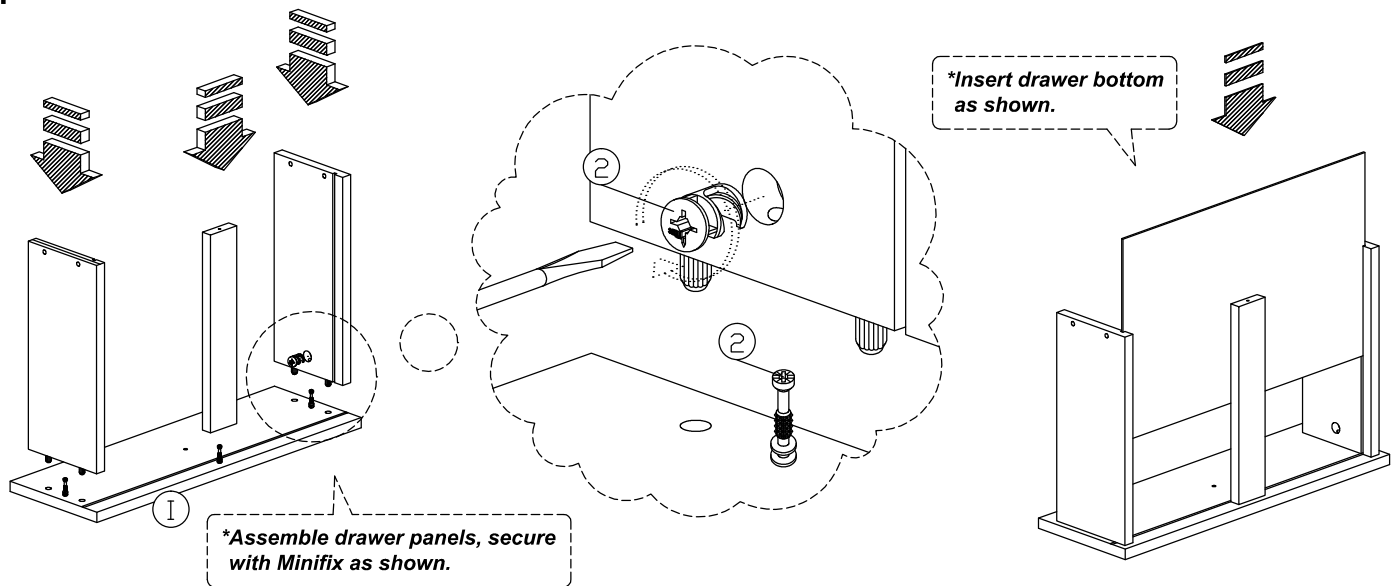


## Step 10

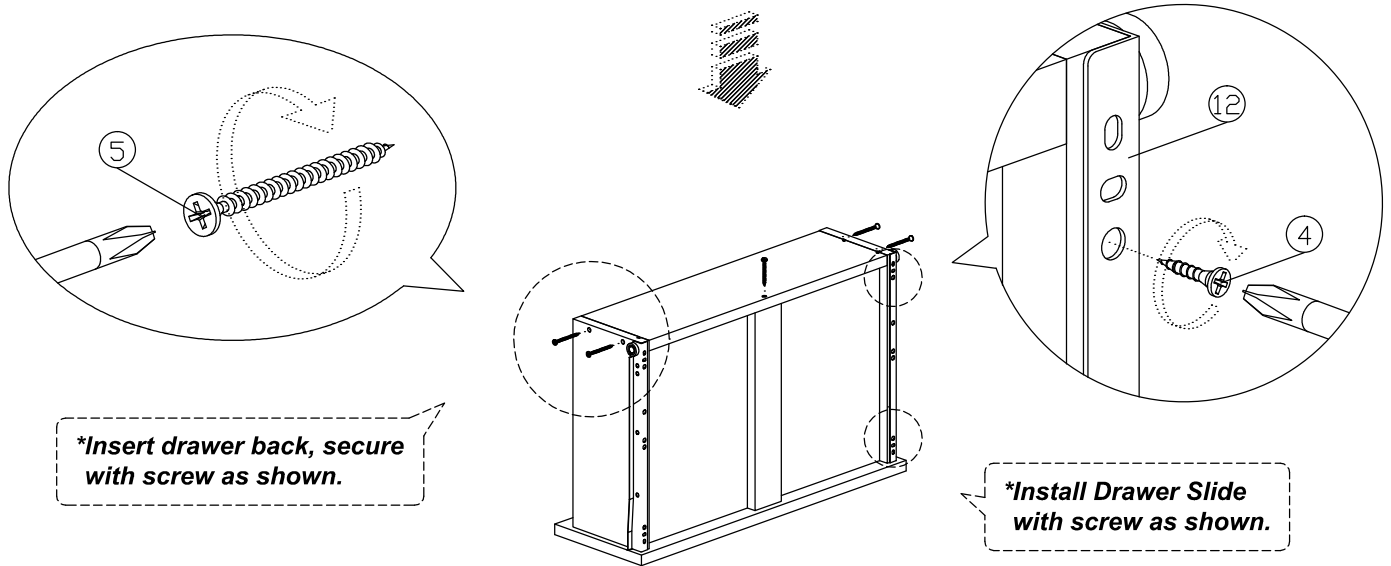


# Assembly Instruction

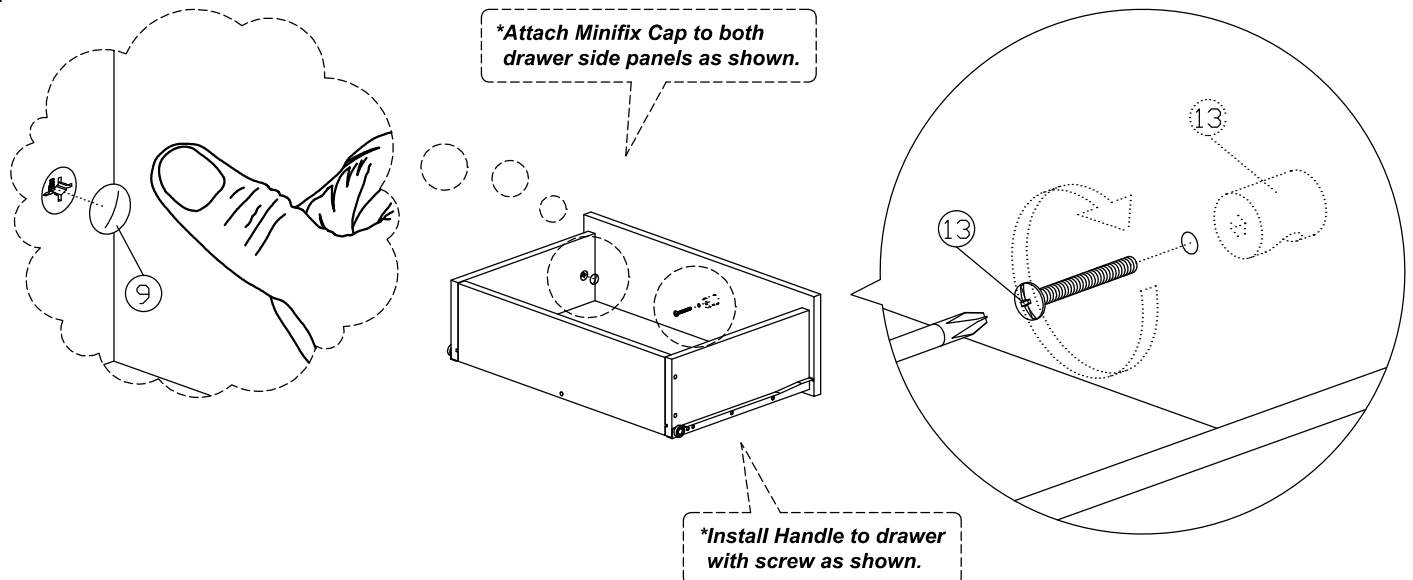
## Step 11



## Step 12



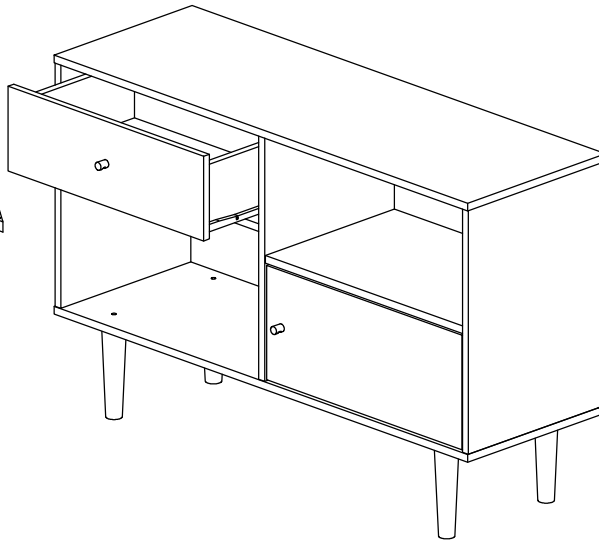
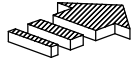
## Step 13



# Assembly Instruction

## Step 14

*\*Insert drawer into cabinet as shown.*



## Complete

