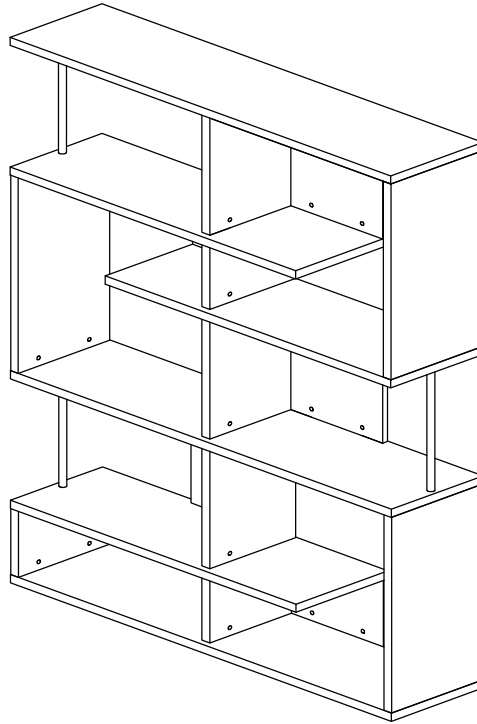


Assembly Instruction

Model : WI5058

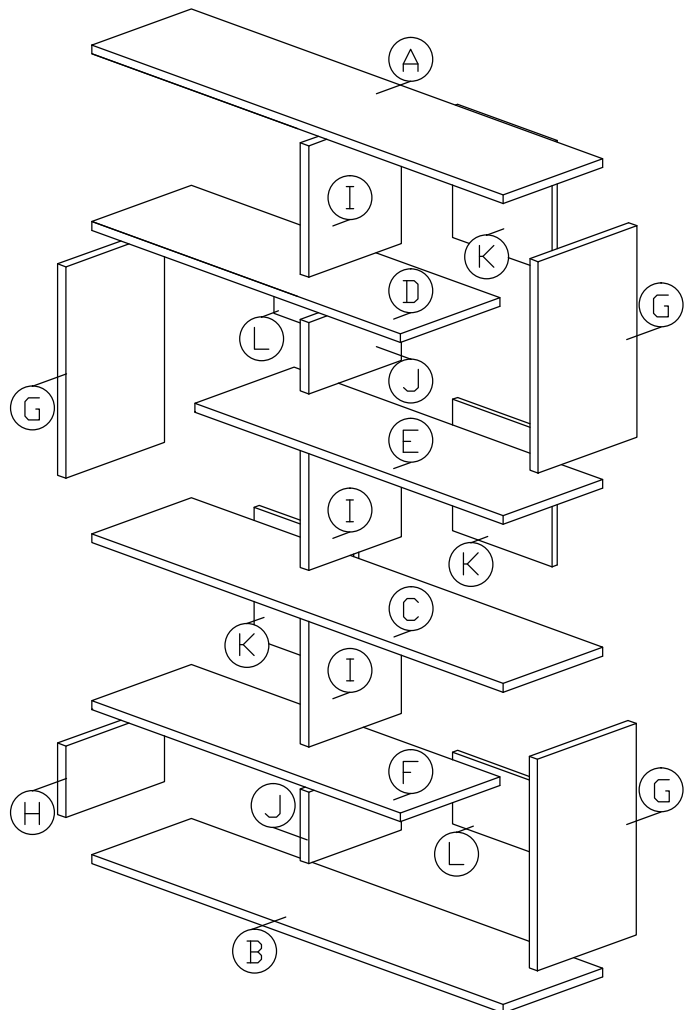
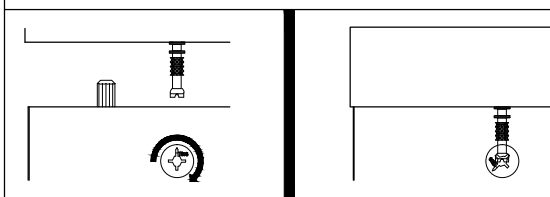


Part List

Hardware List

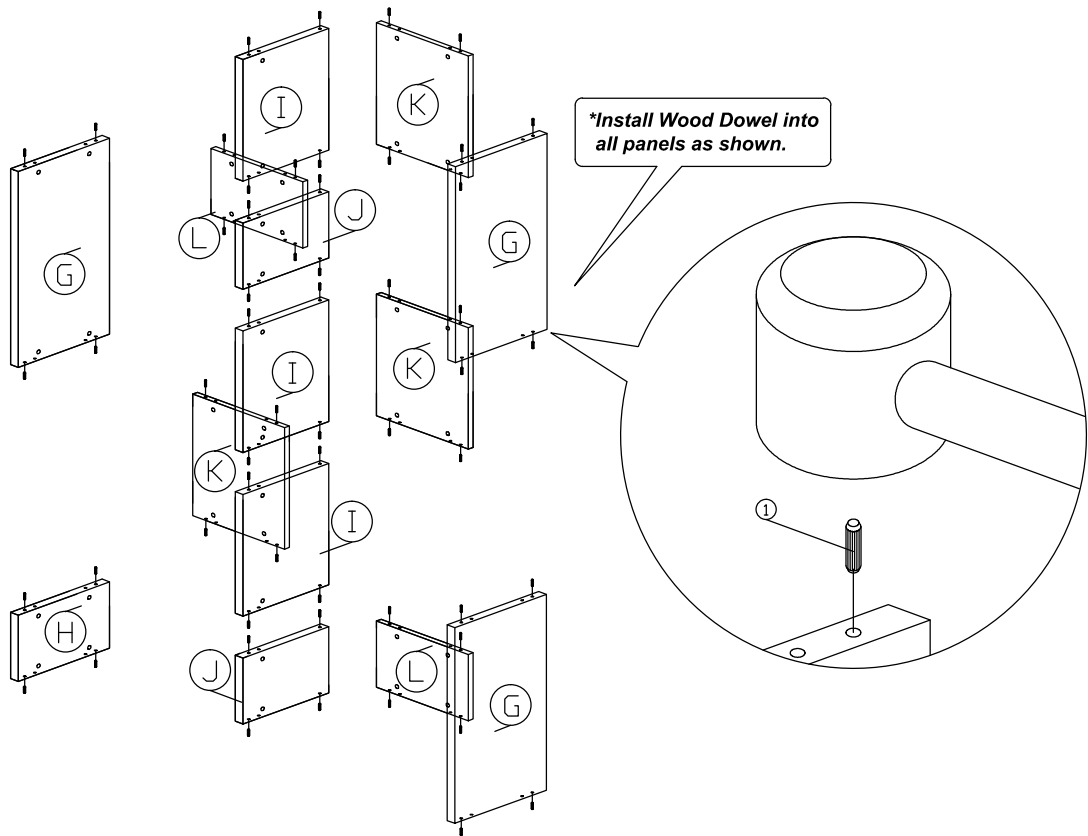
No.	SHAPE	DESCRIPTION	Qty.
1		8x25mm Wood Dowel	56Pcs
2		15MM Titus Minifix	46Sets
3		15mm Minifix Cap(Hole)	16Pcs
4		15mm Minifix Cap	30Pcs
5		Nail Leg	6Pcs
6		Screw M8x40mm	3Pcs
7		Ø25mm Cylinder Pipe (360MM)	3Pcs

Dowel / Cam - Lock Installation

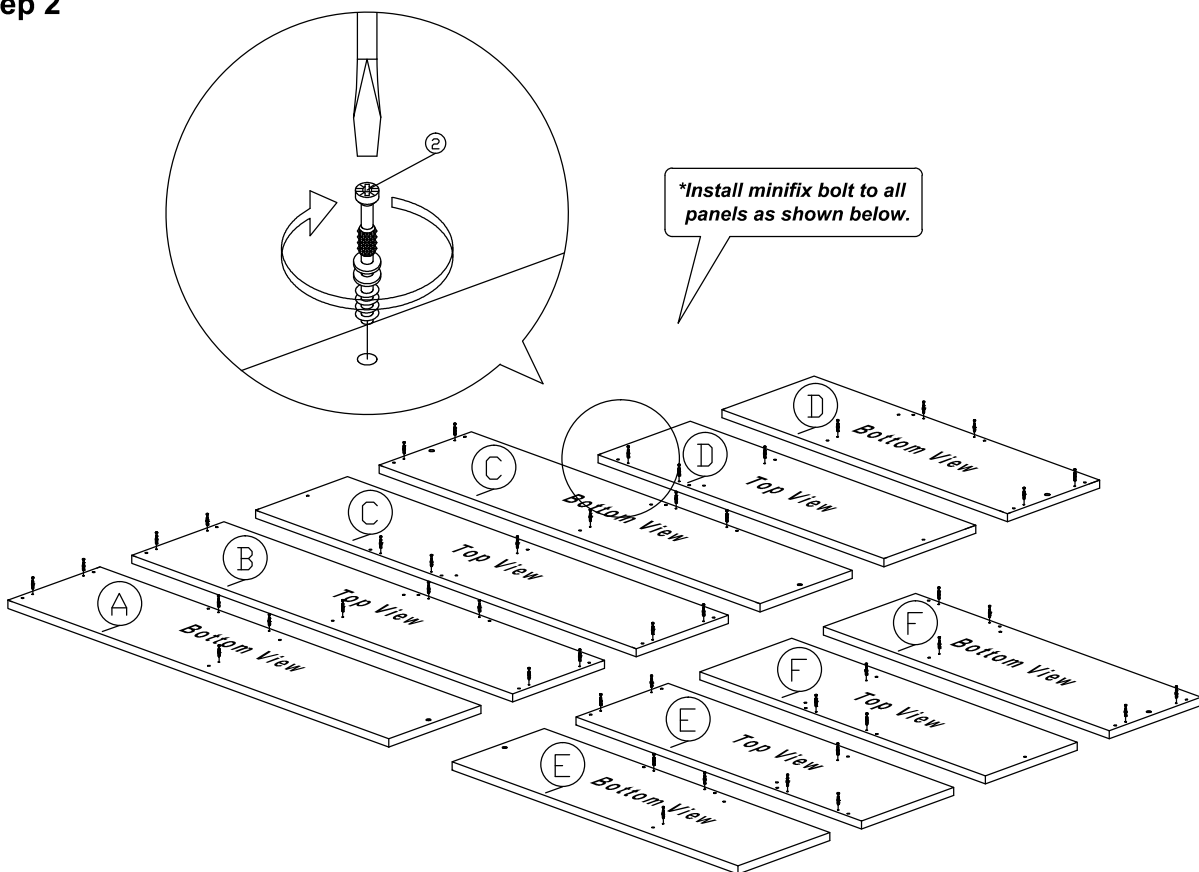


Assembly Instruction

Step 1



Step 2

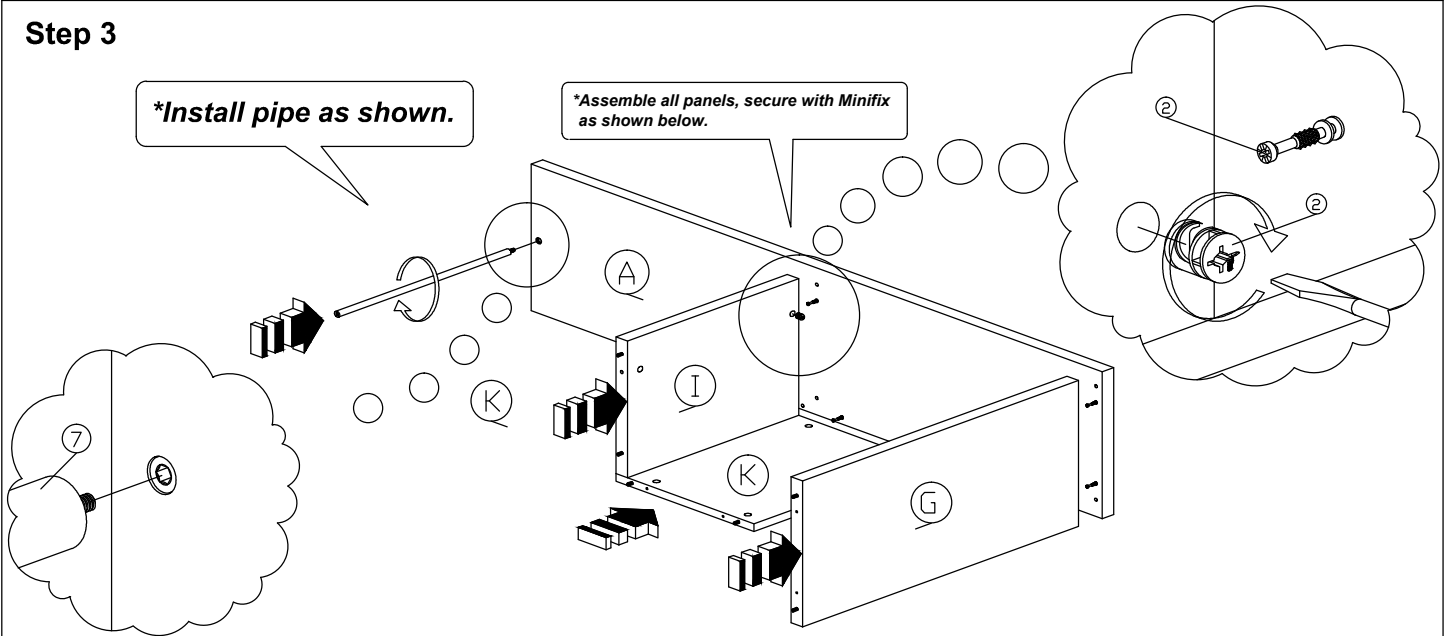


Assembly Instruction

Step 3

**Install pipe as shown.*

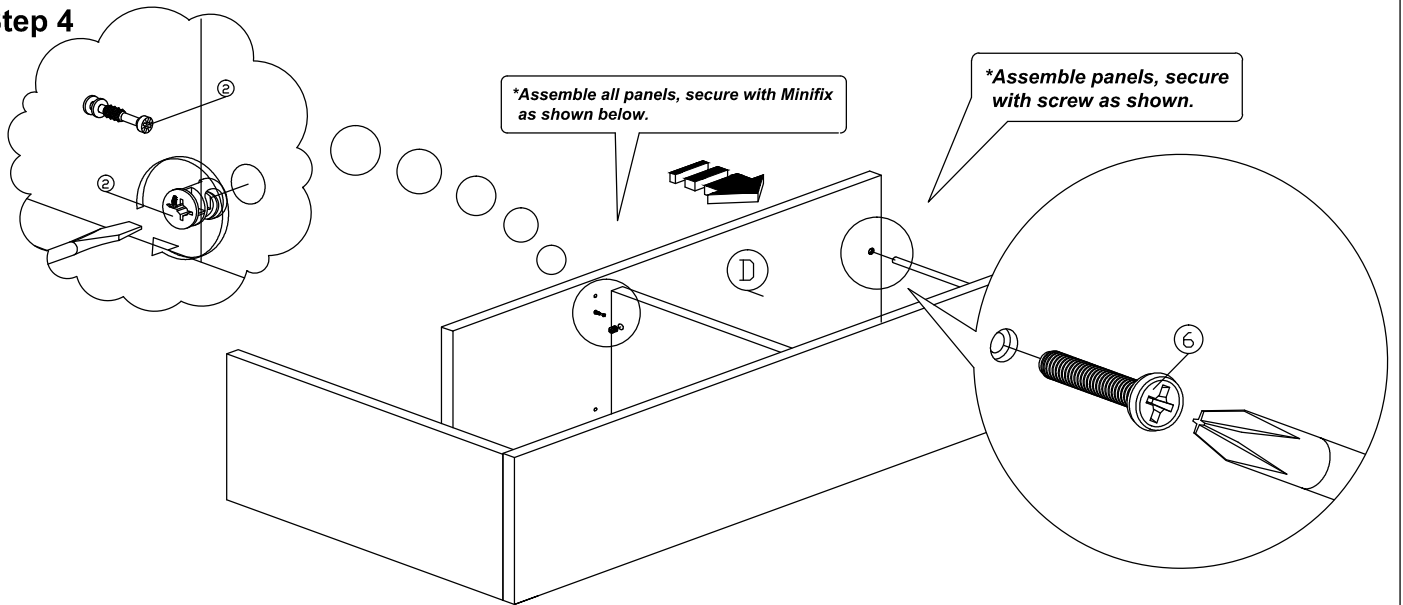
**Assemble all panels, secure with Minifix as shown below.*



Step 4

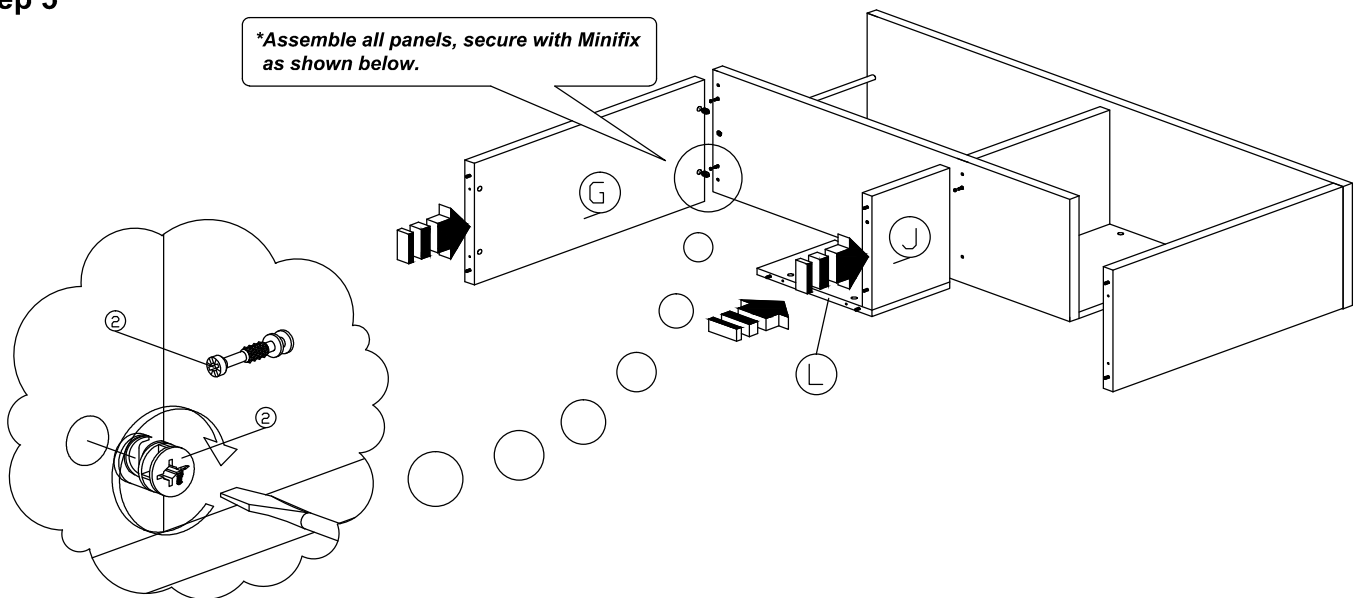
**Assemble all panels, secure with Minifix as shown below.*

**Assemble panels, secure with screw as shown.*



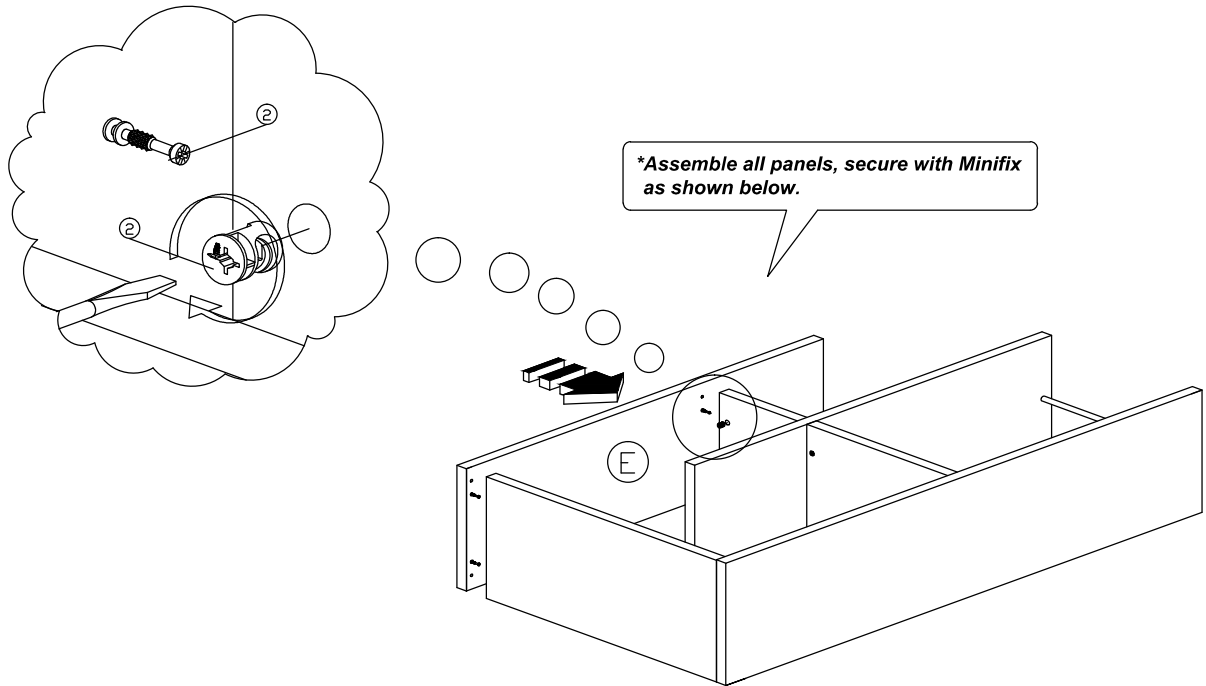
Step 5

**Assemble all panels, secure with Minifix as shown below.*

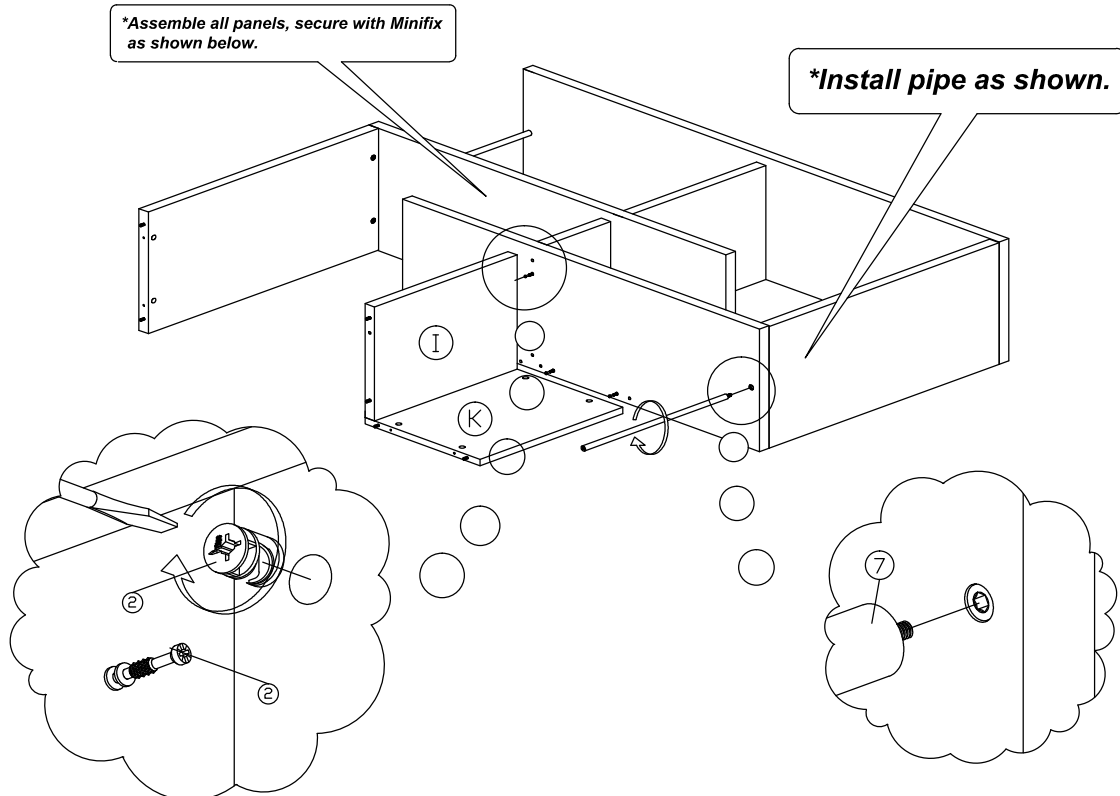


Assembly Instruction

Step 6

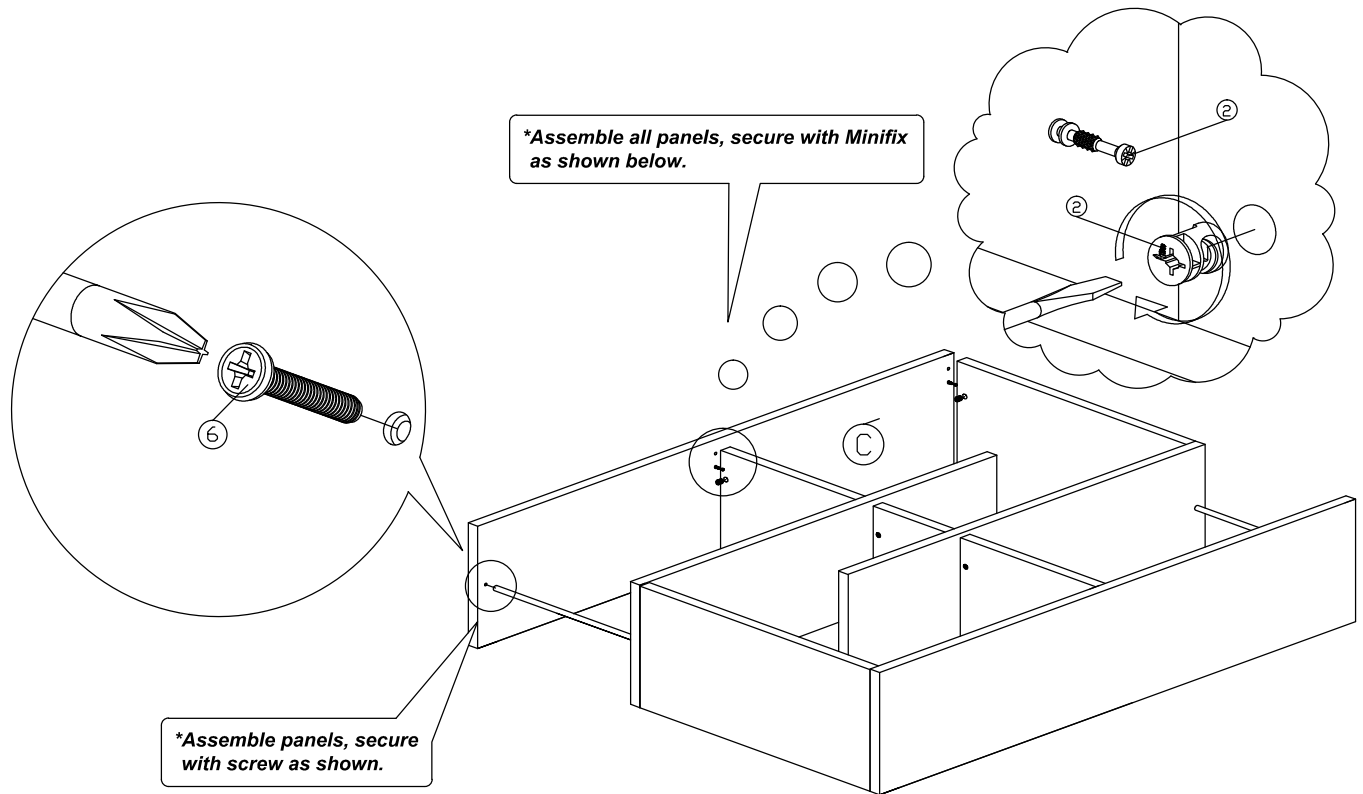


Step 7

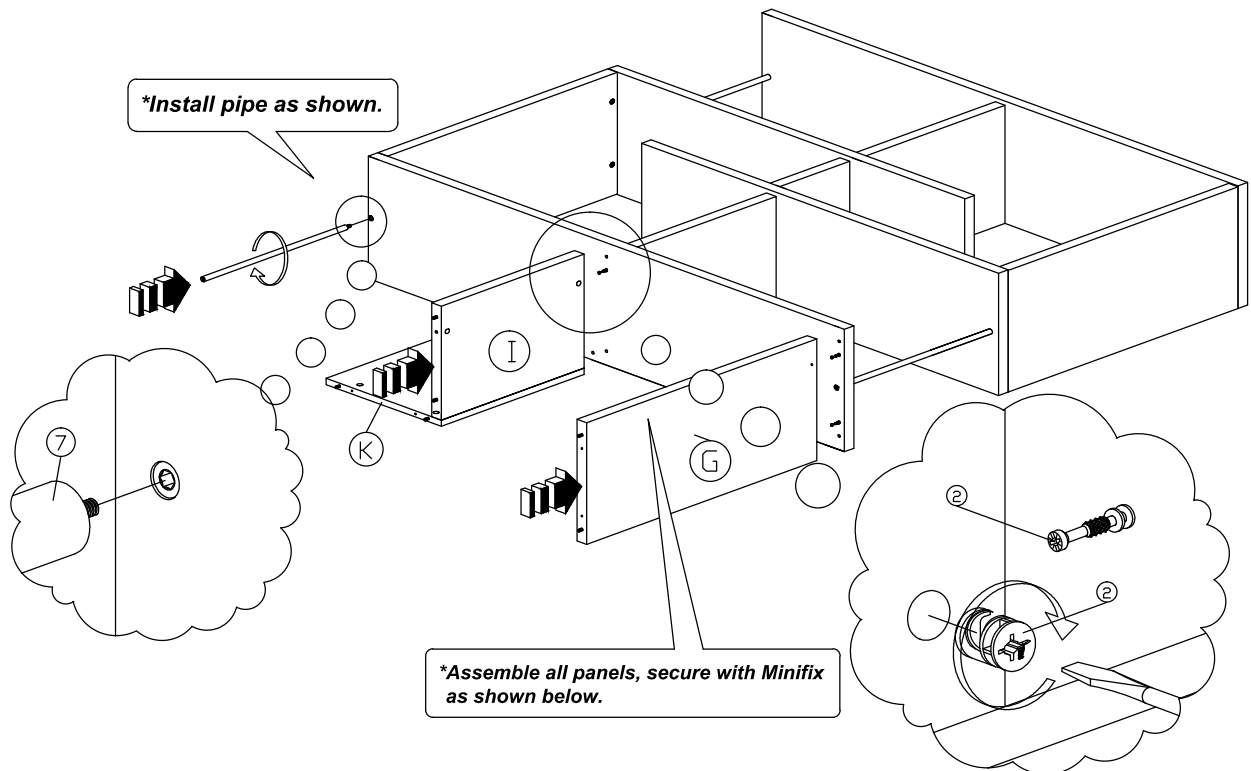


Assembly Instruction

Step 8

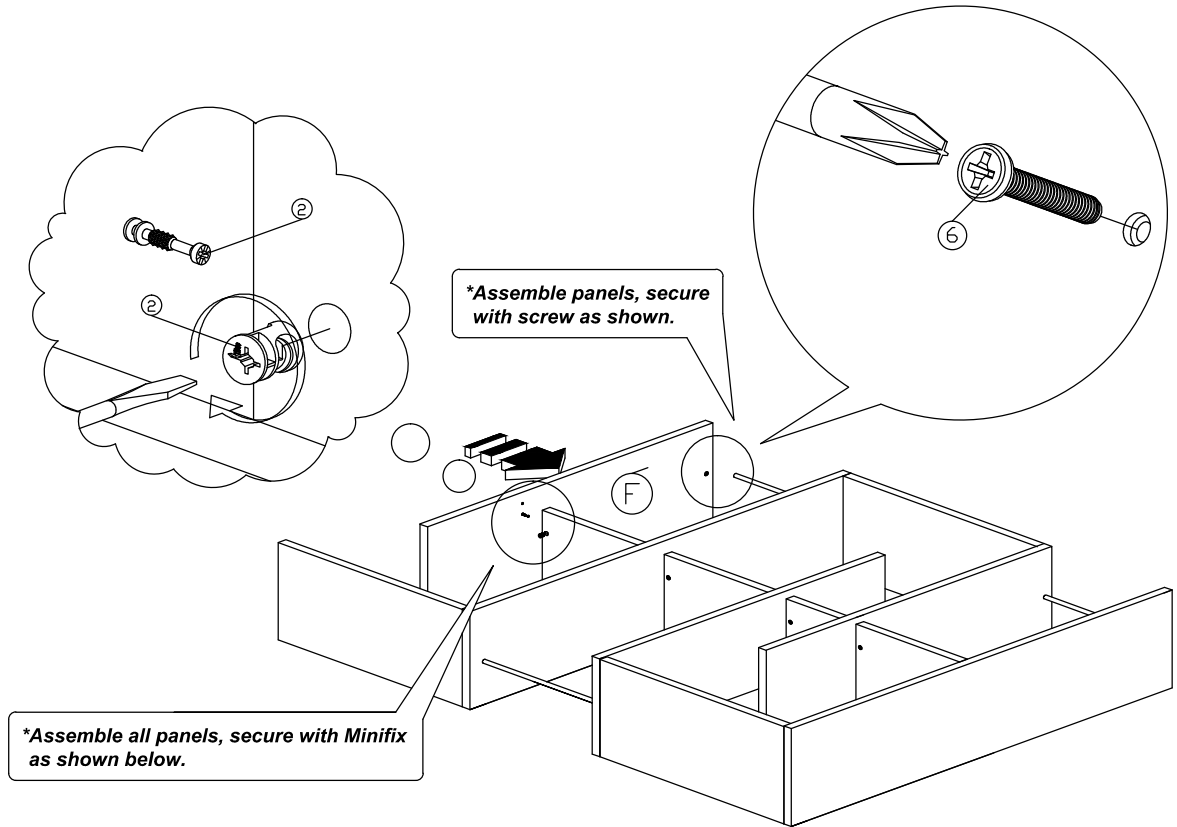


Step 9

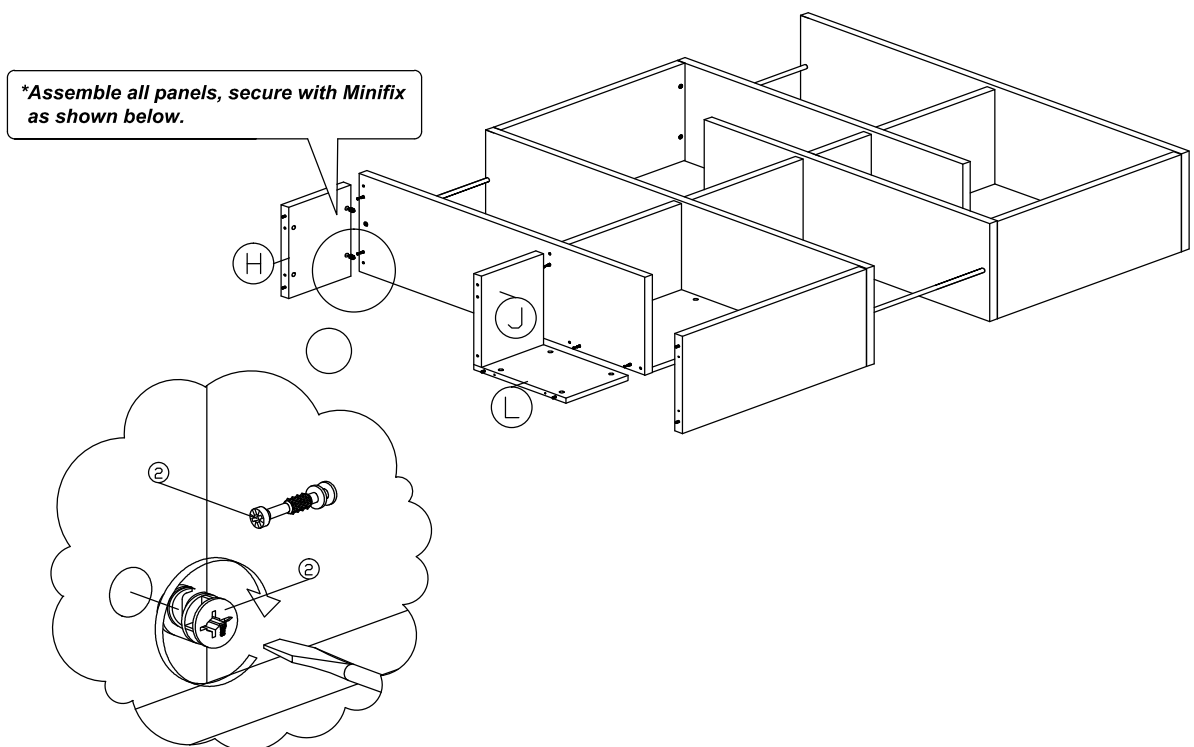


Assembly Instruction

Step 10

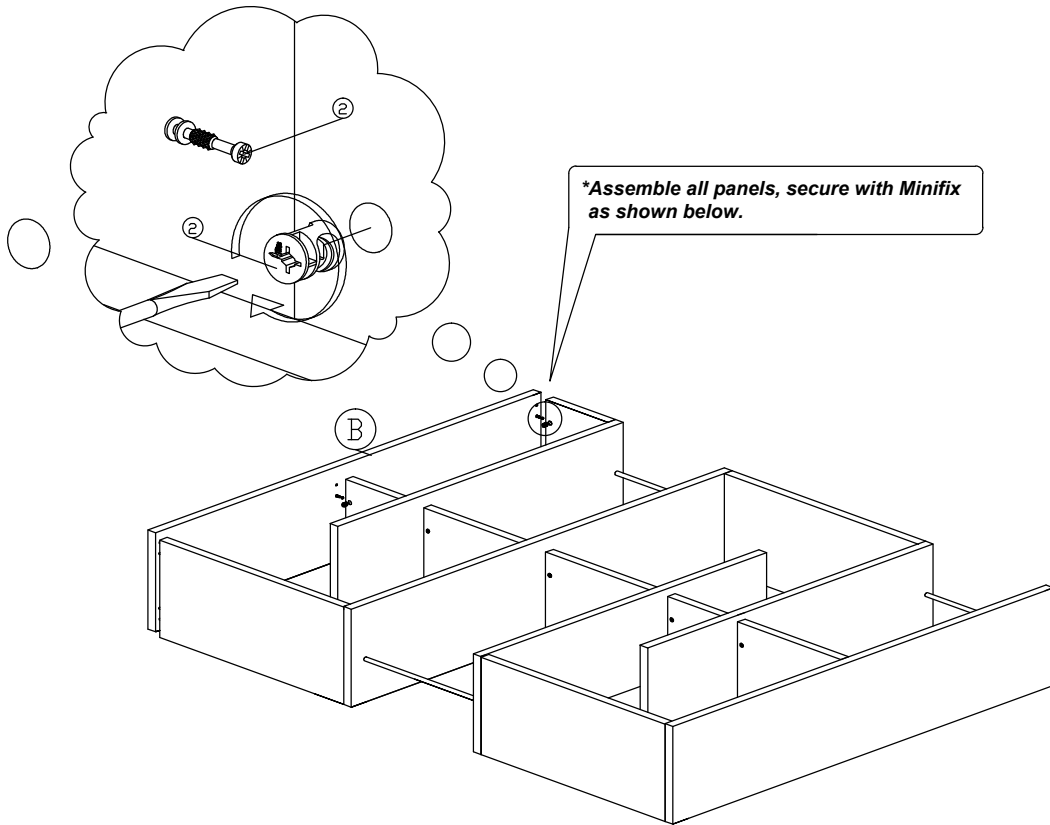


Step 11



Assembly Instruction

Step 12



Step 13

