




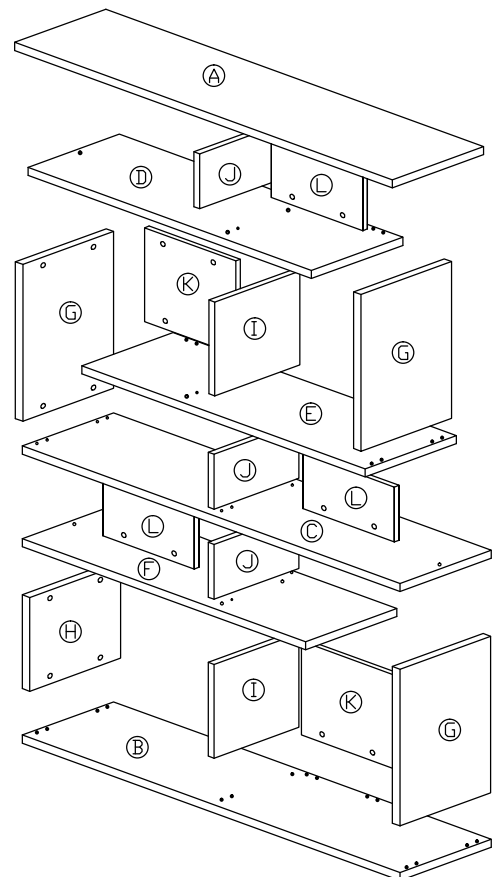
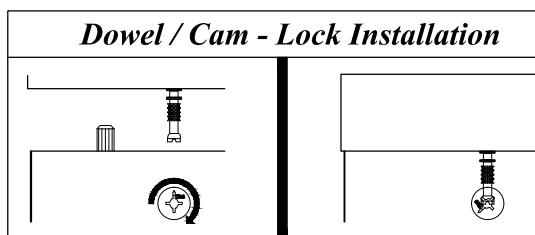
Assembly Instruction

Model : WI5057



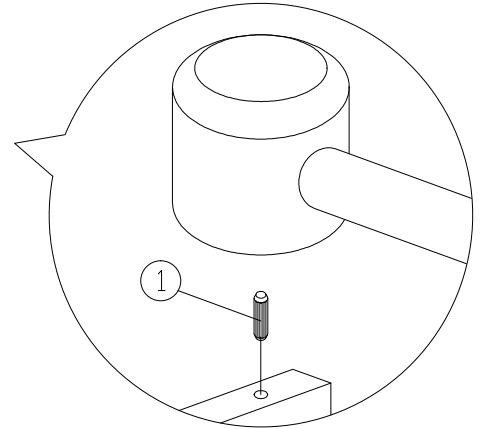
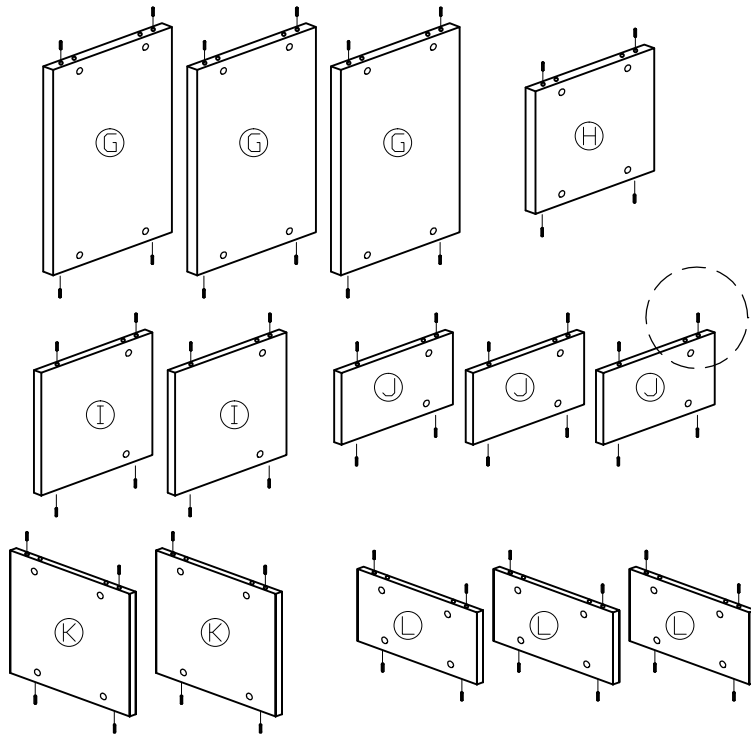
Part List

<i>Hardware List</i>			
No.	SHAPE	DESCRIPTION	Qty.
1		8x25mm Wood Dowel	56Pcs
2		15MM Titus Minifix	46Sets
3		15mm Minifix Cap(Hole)	16Pcs
4		15mm Minifix Cap	30Pcs
5		Nail Leg	6Pcs
6		Screw M8x40mm	3Pcs
7		Ø30mm Cylinder Pipe (164MM)	3Pcs

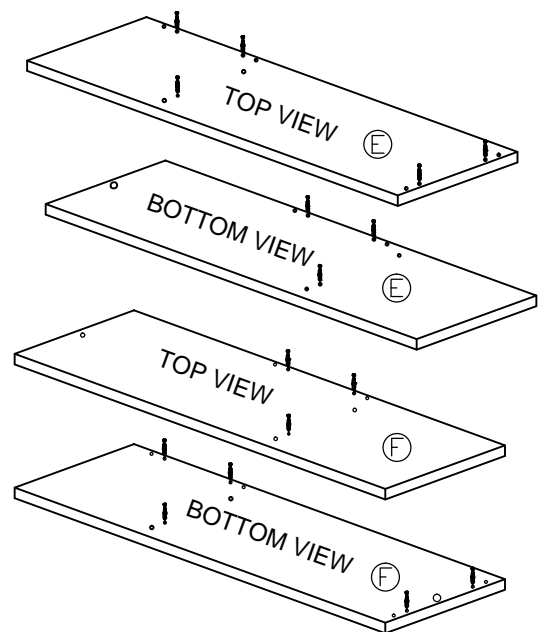
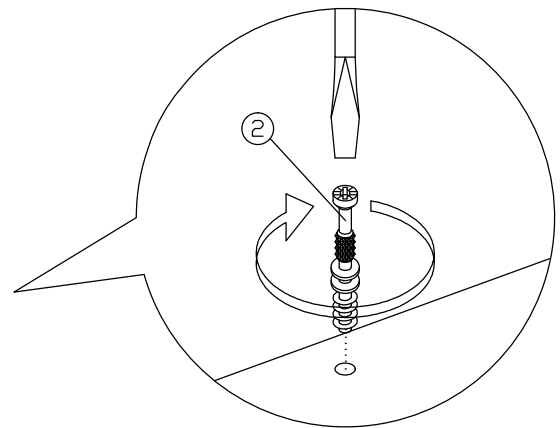
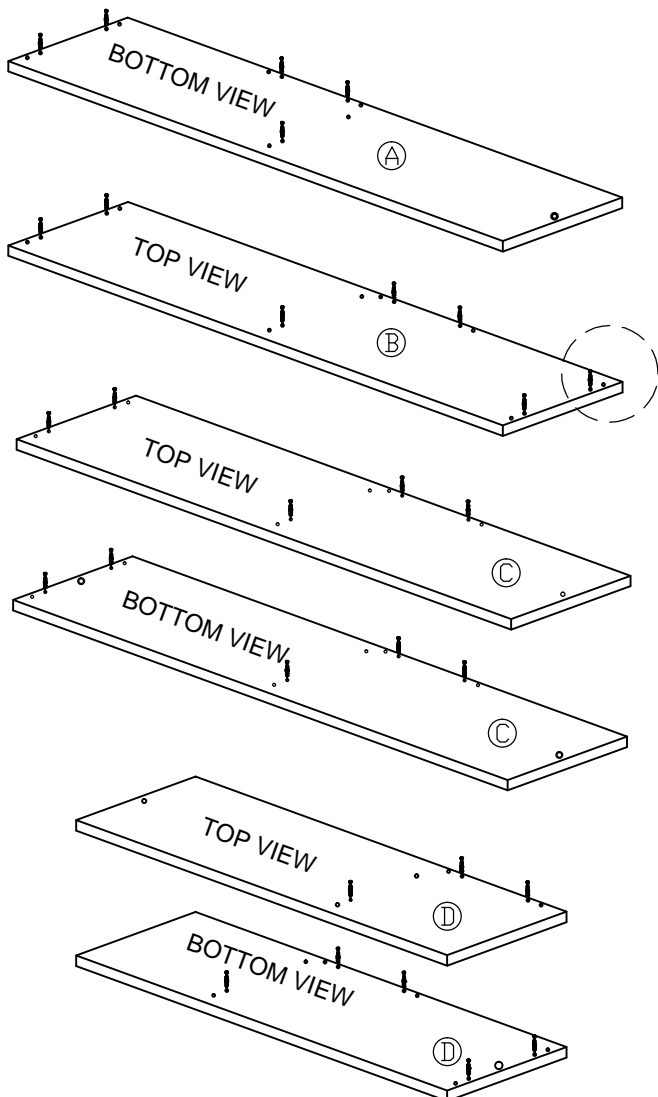


Assembly Instruction

Step 1



Step 2

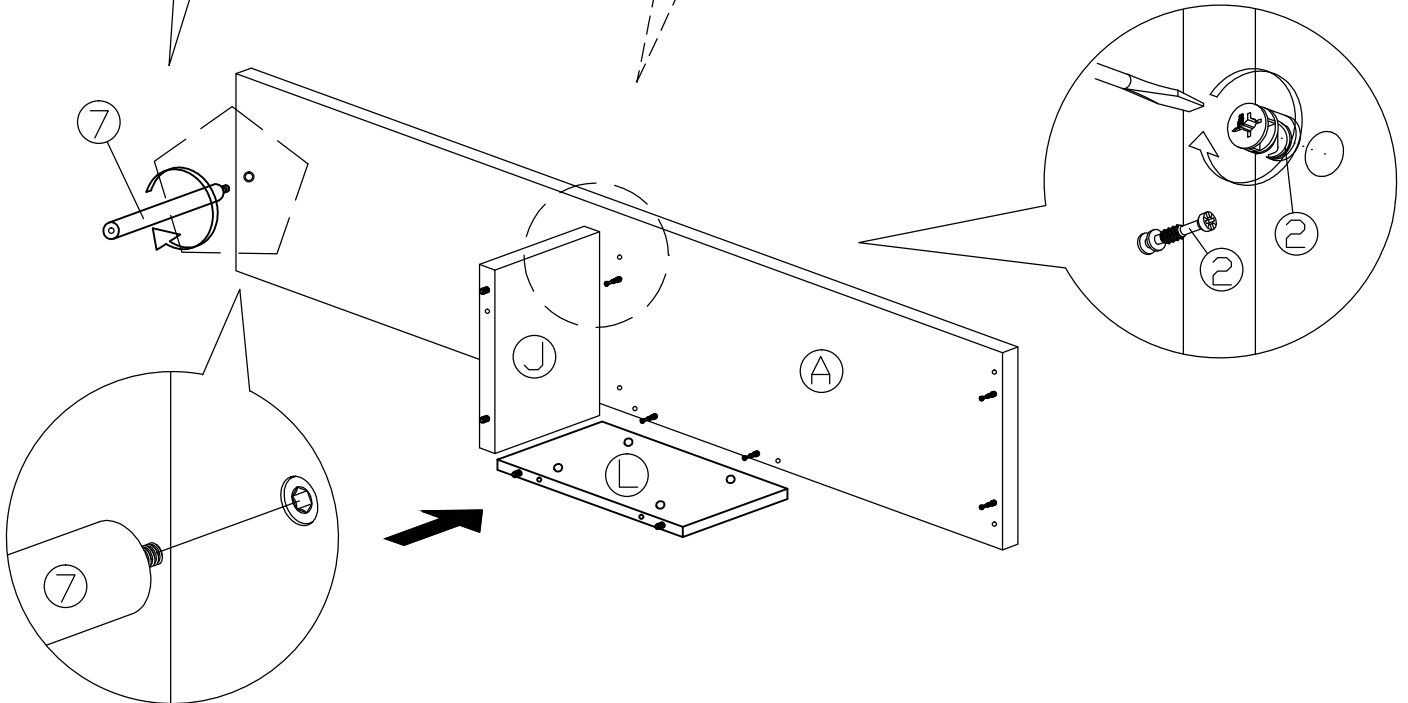


Assembly Instruction

Step 3

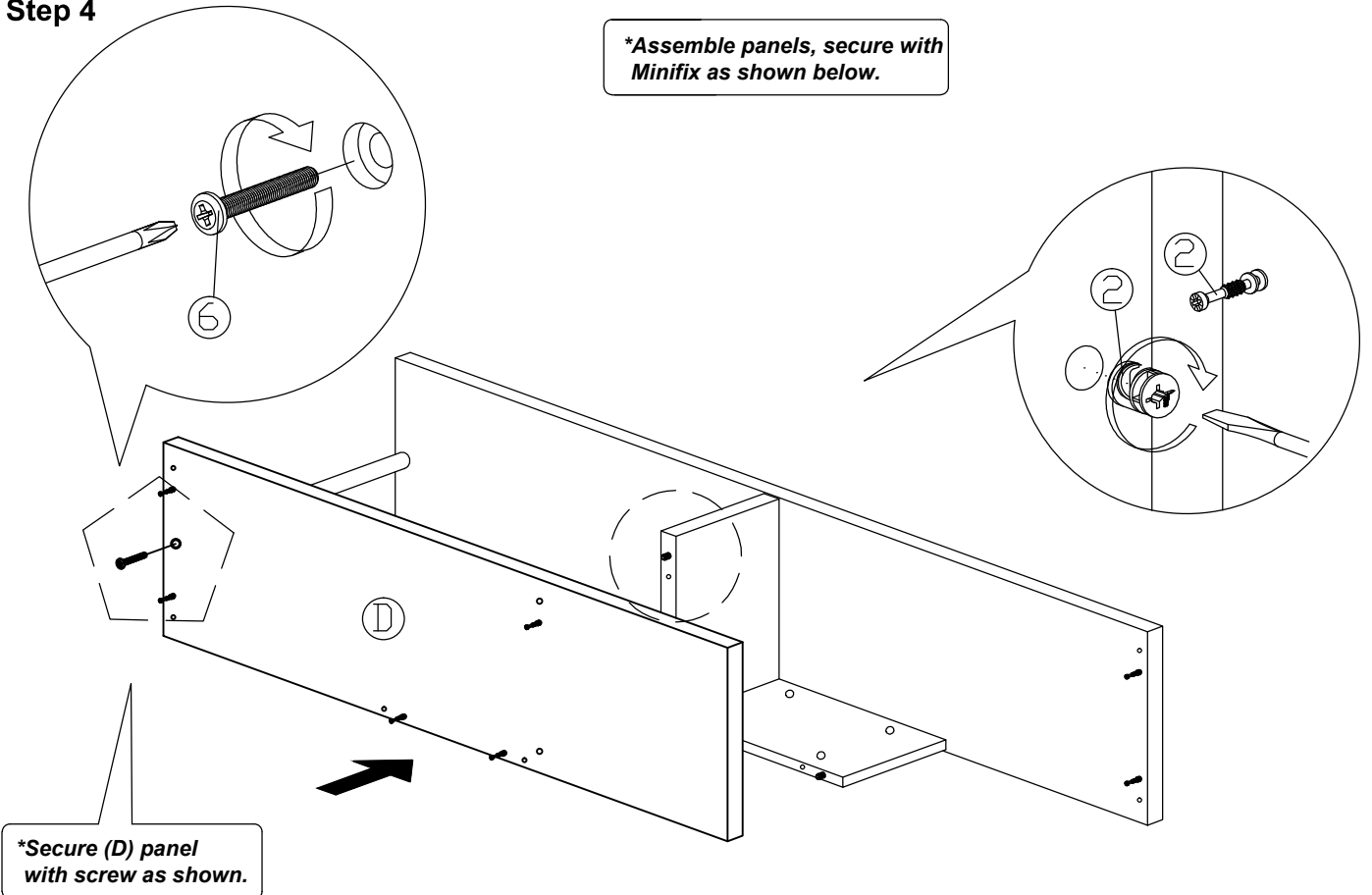
**Install pipe as shown.*

**Assemble panels, secure with Minifix as shown below. (use the same step)*



Step 4

**Assemble panels, secure with Minifix as shown below.*

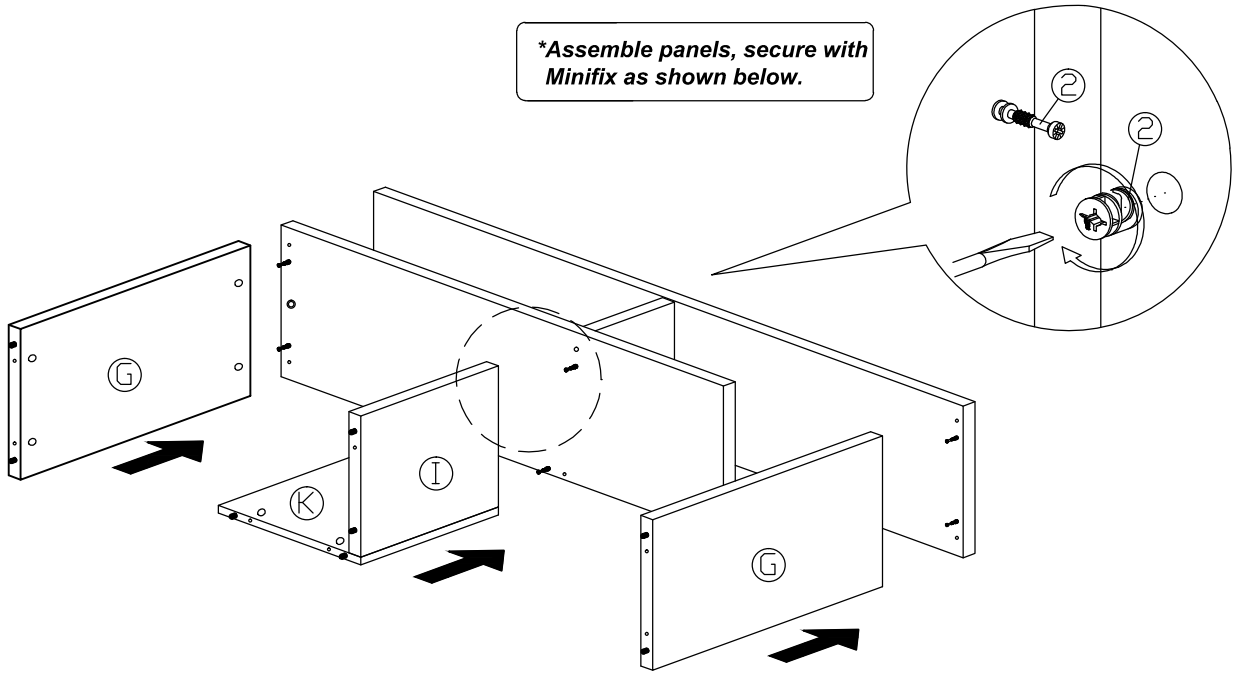


**Secure (D) panel with screw as shown.*

Assembly Instruction

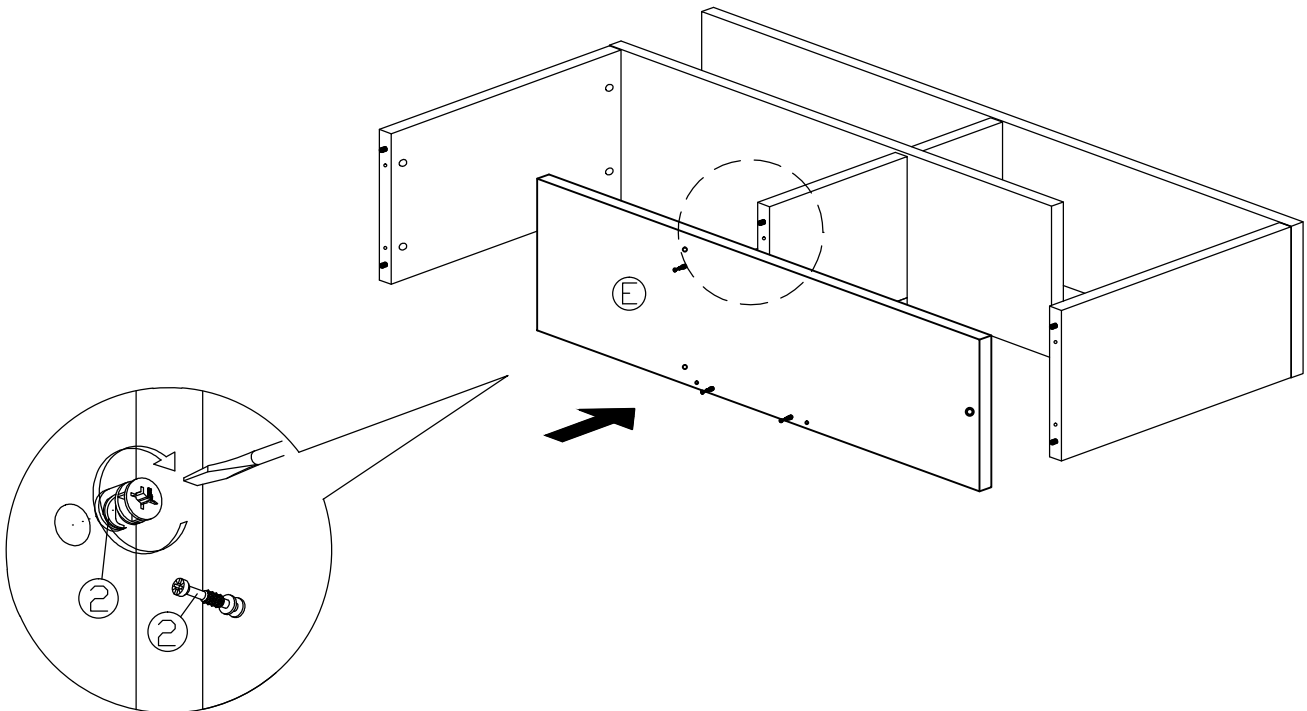
Step 5

**Assemble panels, secure with Minifix as shown below.*



Step 6

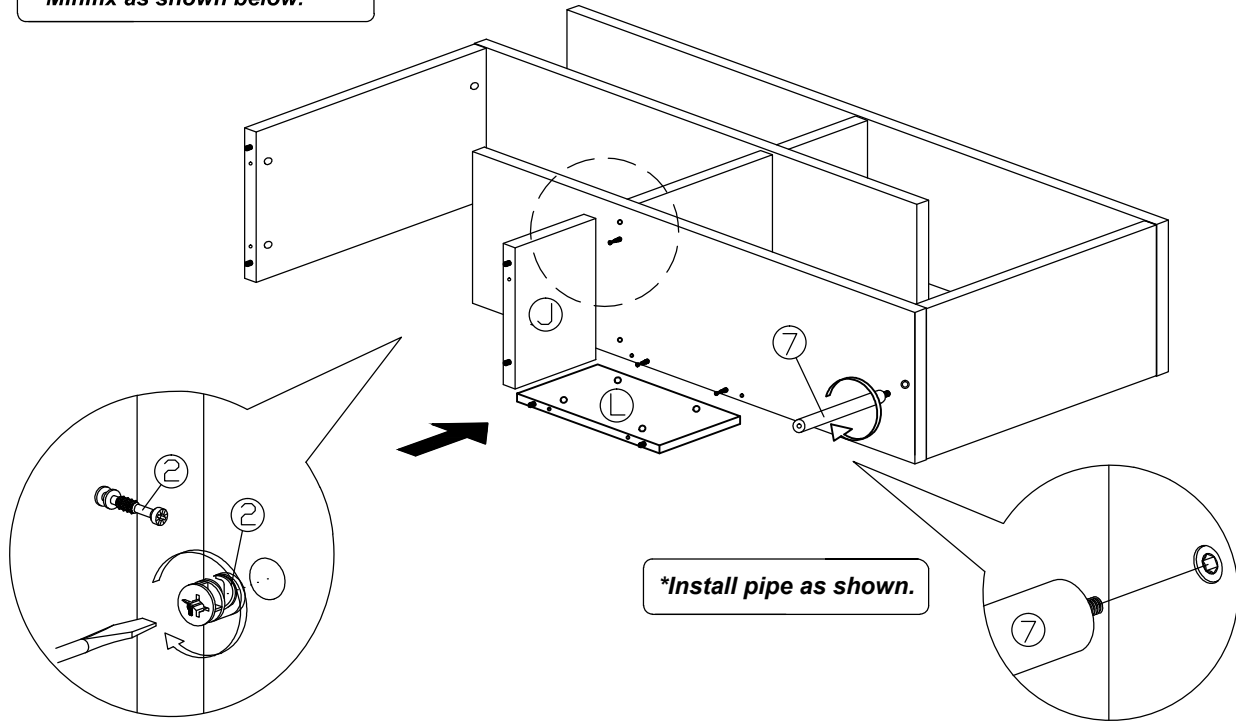
**Assemble panels, secure with Minifix as shown below.*



Assembly Instruction

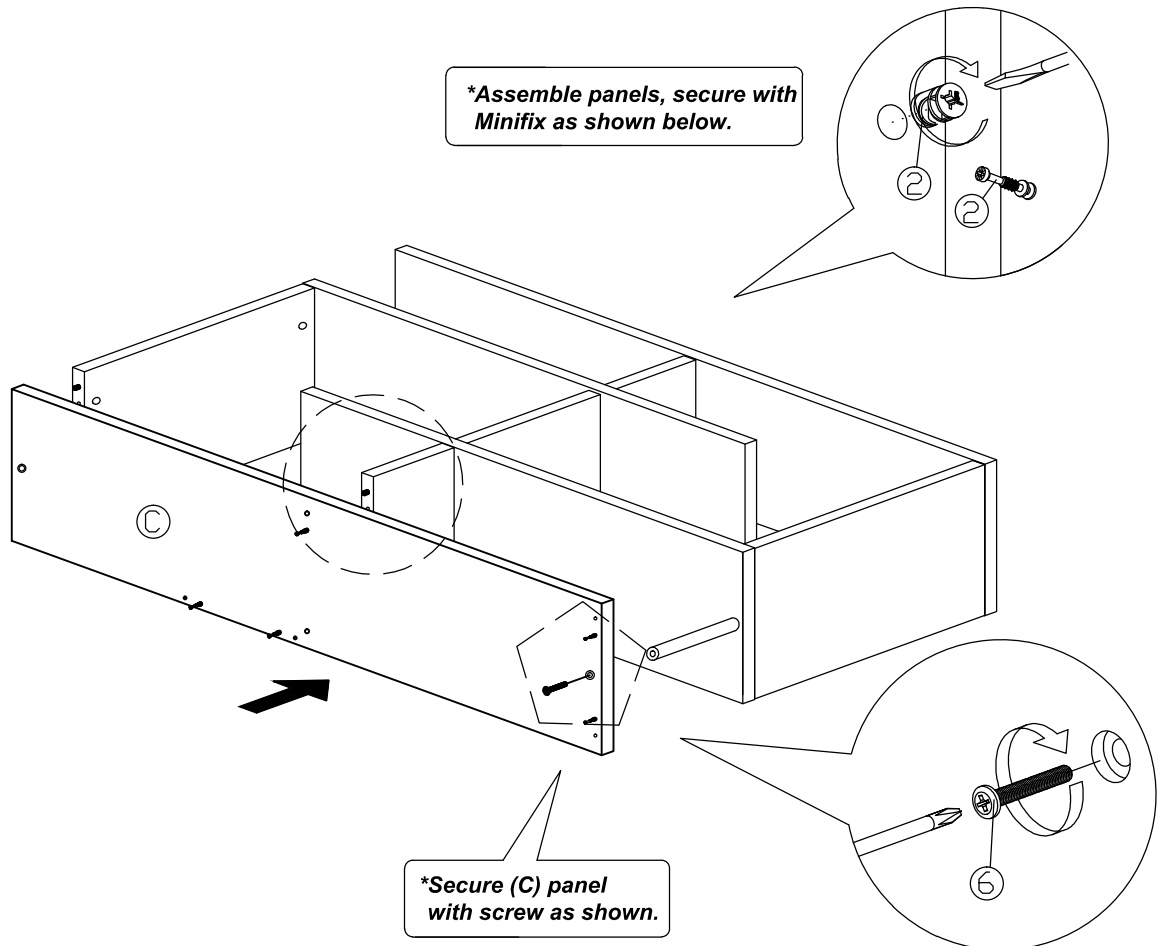
Step 7

**Assemble panels, secure with Minifix as shown below.*



Step 8

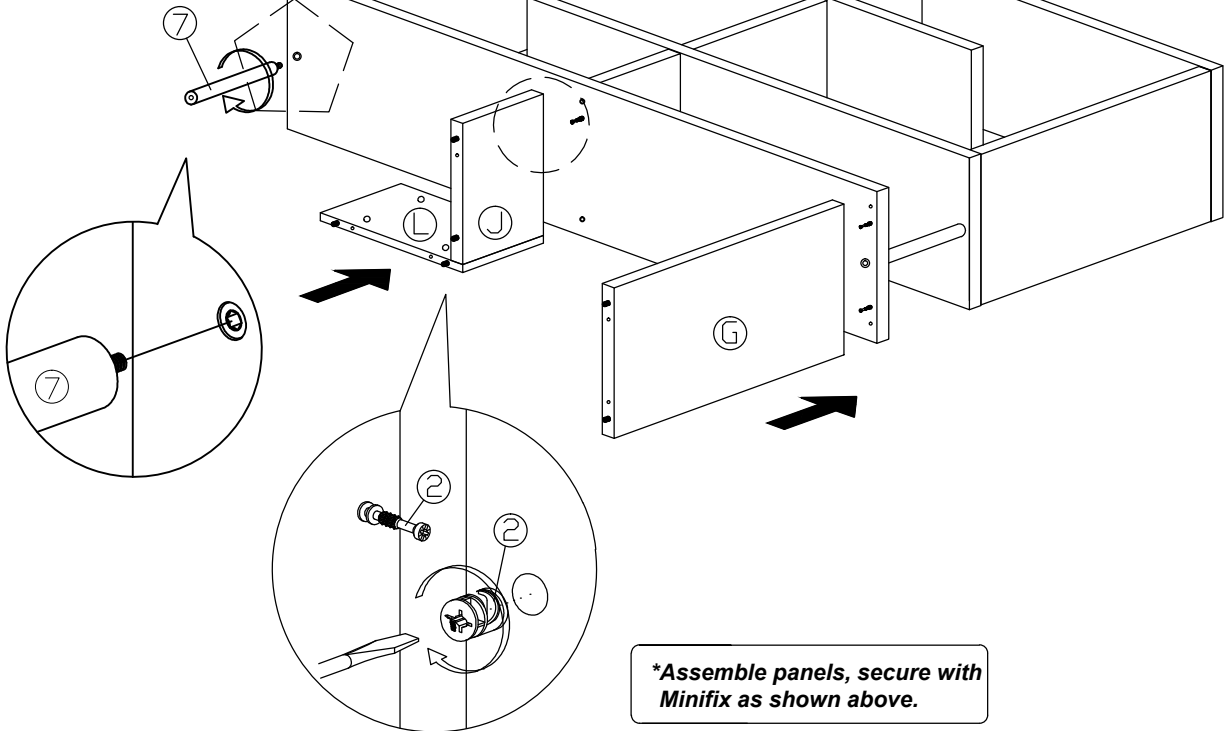
**Assemble panels, secure with Minifix as shown below.*



Assembly Instruction

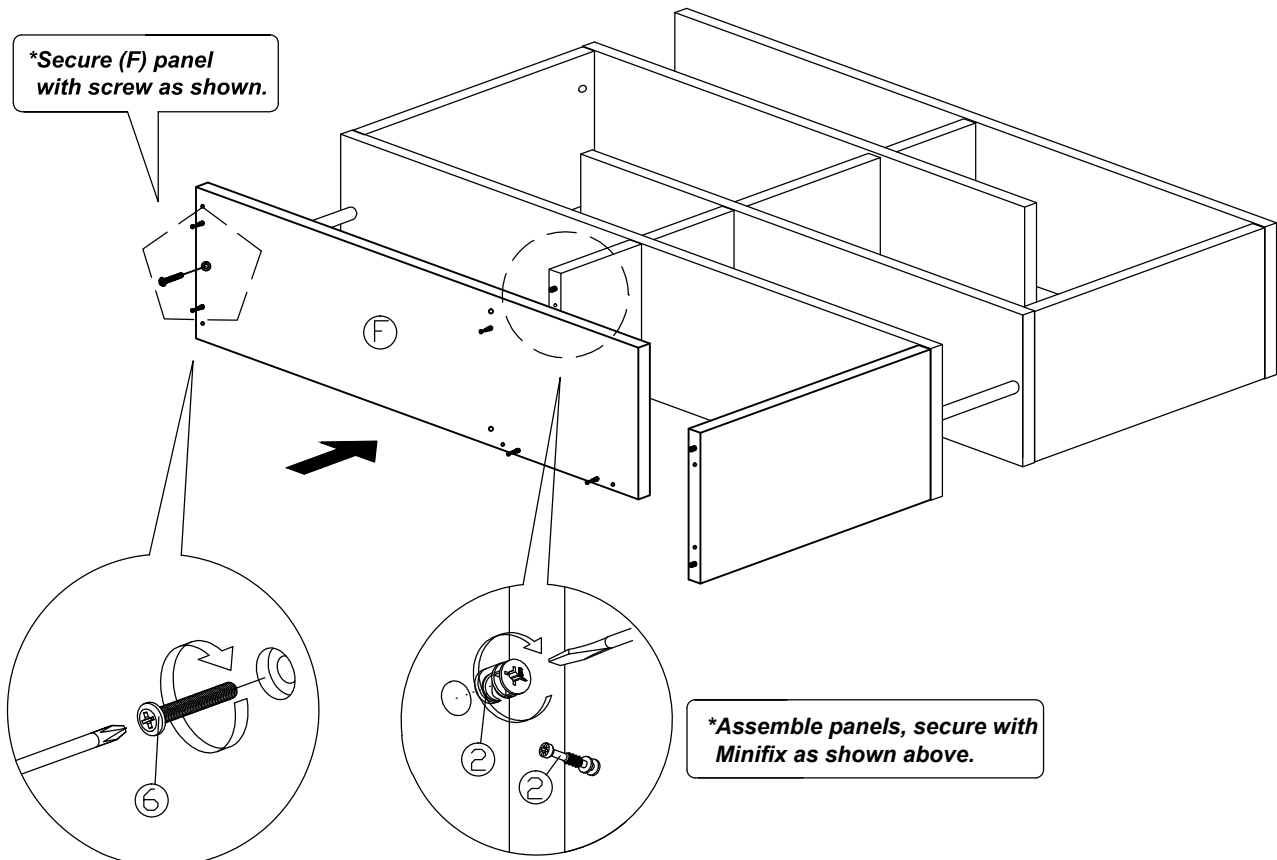
Step 9

**Install pipe as shown.*



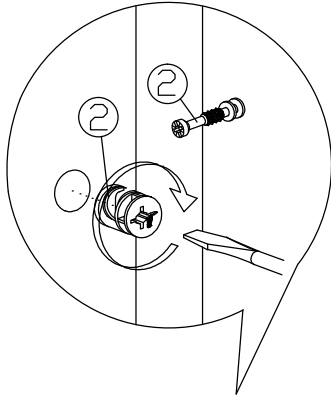
Step 10

**Secure (F) panel with screw as shown.*

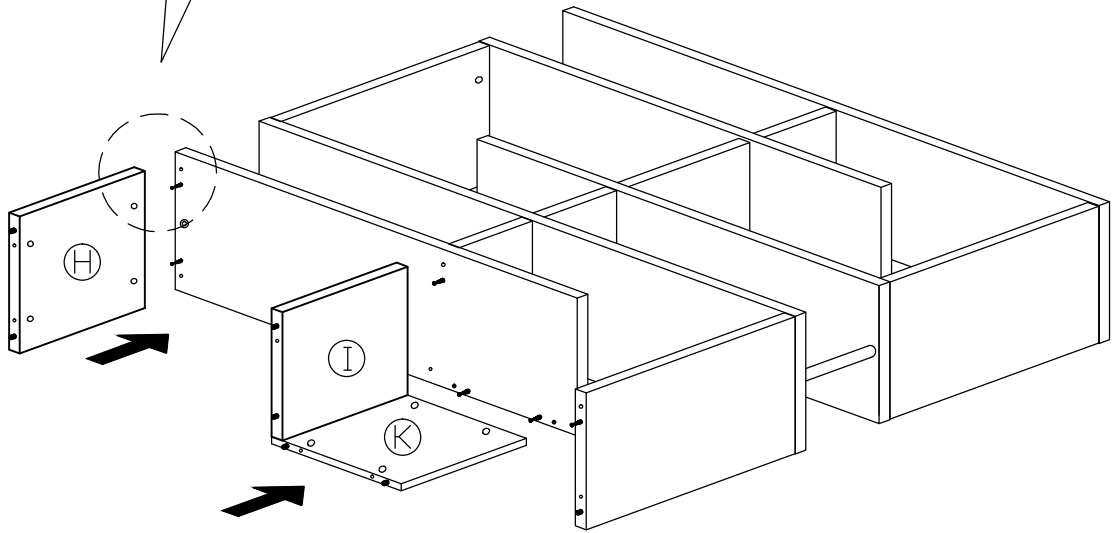


Assembly Instruction

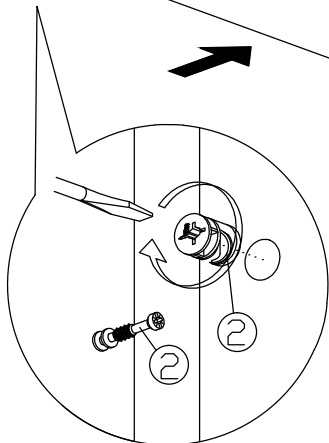
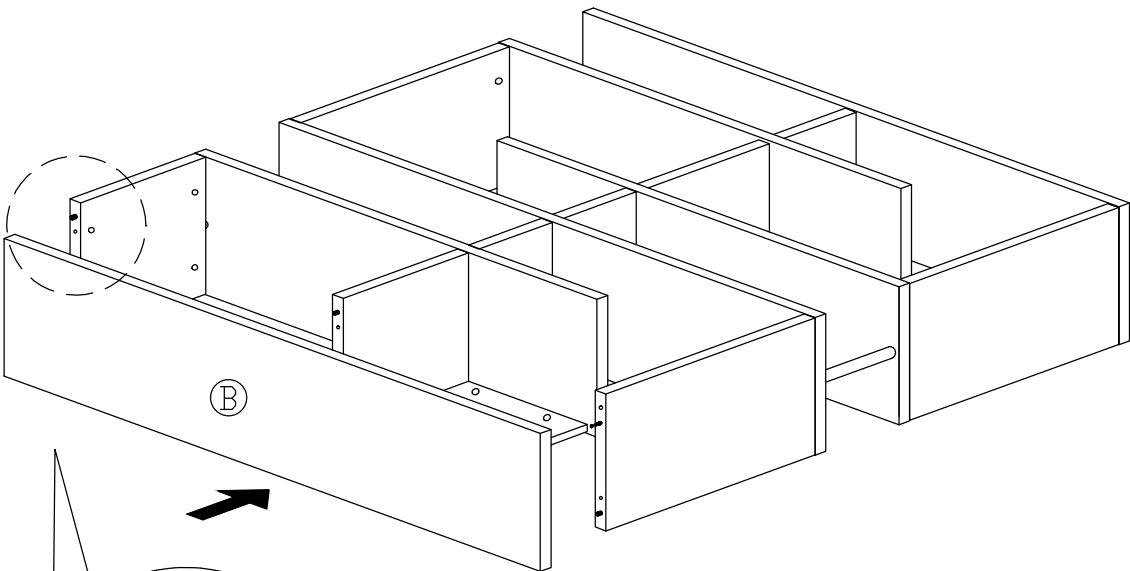
Step 11



**Assemble panels, secure with Minifix as shown below.*



Step 12

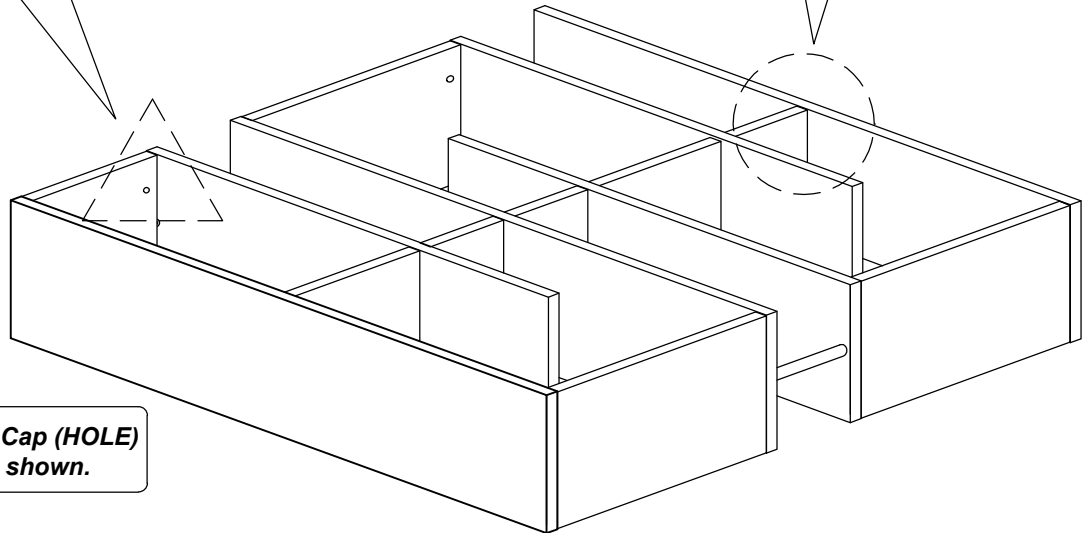
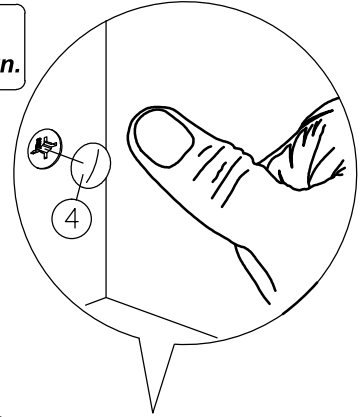
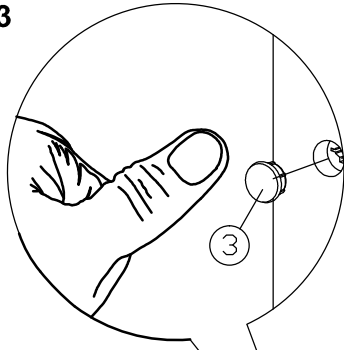


**Assemble panels, secure with Minifix as shown above.*

Assembly Instruction

Step 13

**Attach 30pcs Minifix Cap to (I),(J),(K) & (L) panel as shown.*



**Attach 16pcs Minifix Cap (HOLE) to (G) & (H) panel as shown.*

Step 14

**Attach Nail Leg as shown.*

