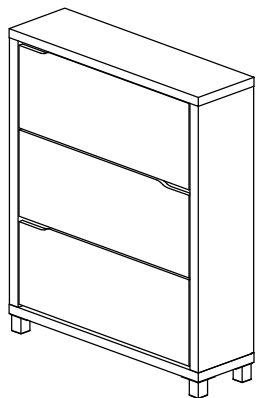
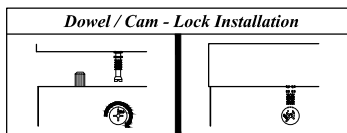


Assembly Instruction

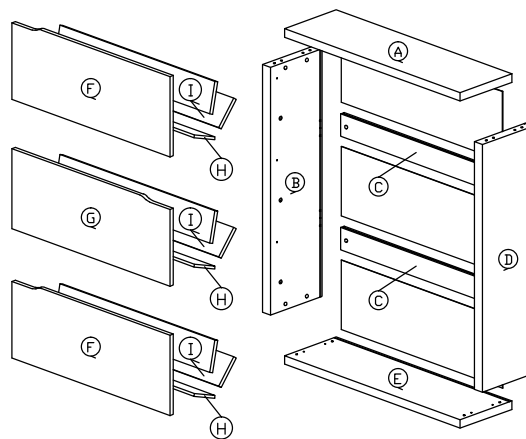
Model : FP - 3OUSH



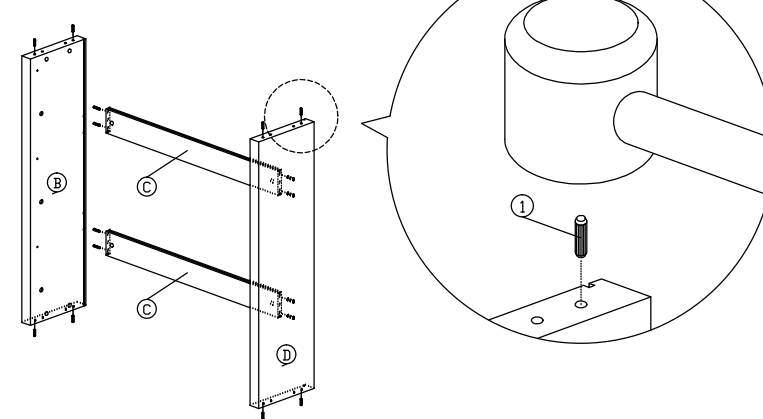
Hardware List			
No.	SHAPE	DESCRIPTION	Qty.
1		8x25mm Wood Dowel	16Pcs
2		15MM Titus Minifix	12Sets
3		M3x12mm Screw	18Pcs
4		M3.5x16mm Screw	30Pcs
5		M3.5x20mm Screw	6Pcs
6		6x30mm Plastic Dowel	6Pcs
7		2 Tray Shoe Rack	3Sets
8		Sofa Leg PVC H69	4Pcs



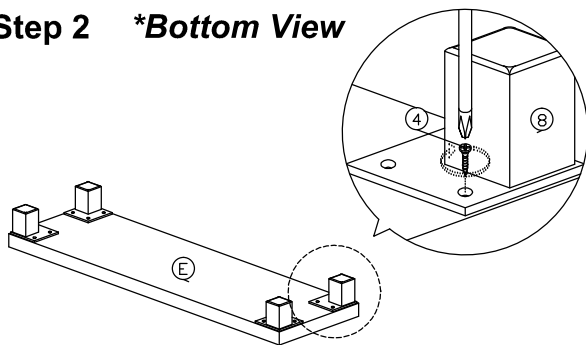
Part List



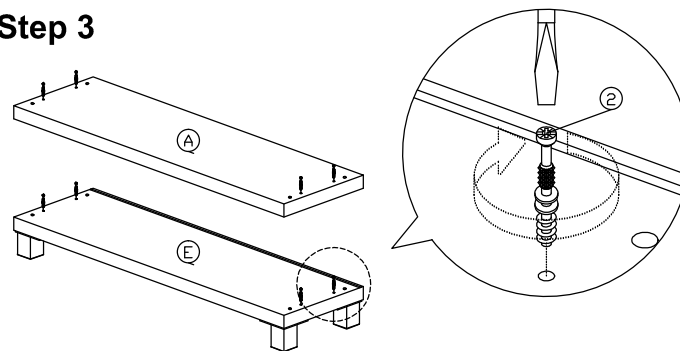
Step 1



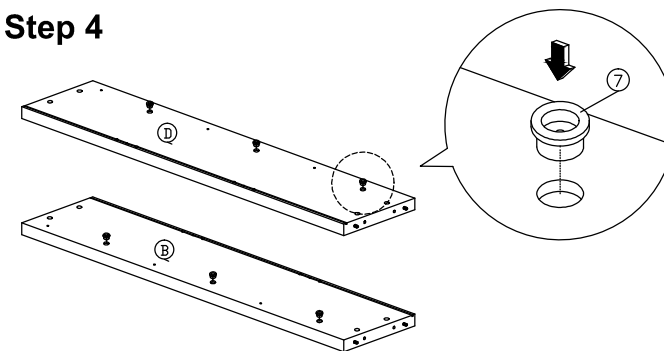
Step 2 *Bottom View



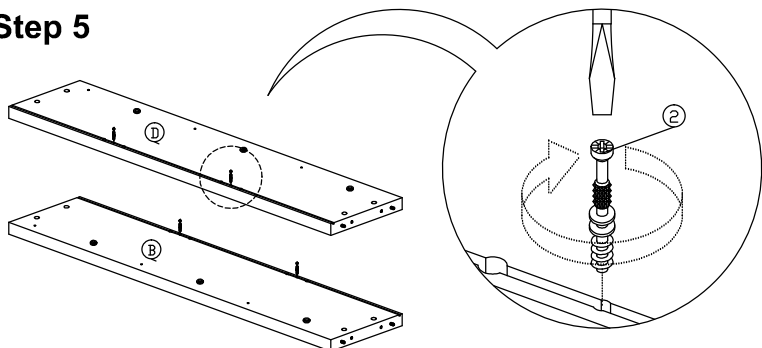
Step 3



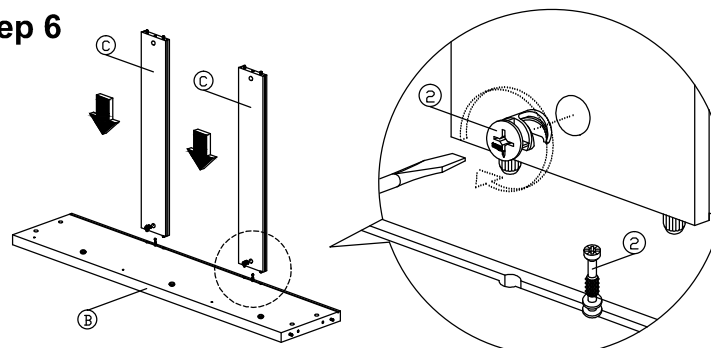
Step 4



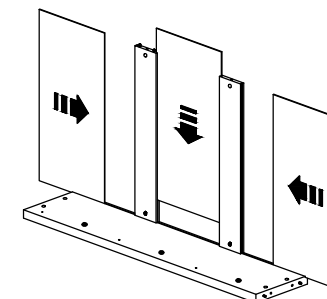
Step 5



Step 6

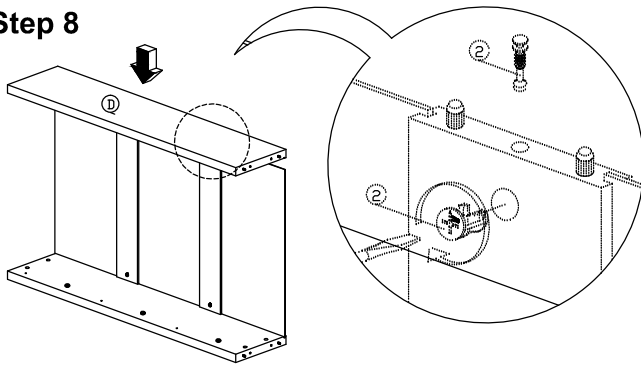


Step 7

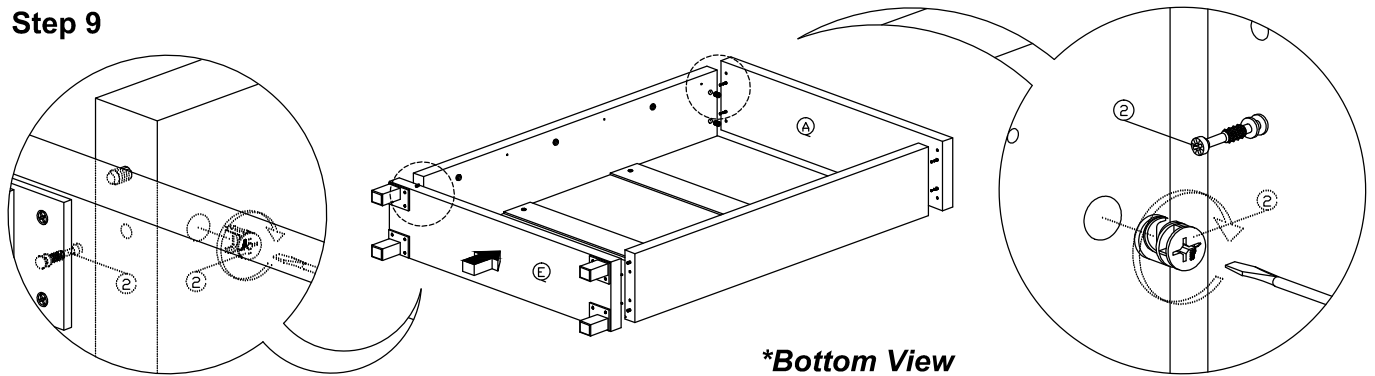


Assembly Instruction

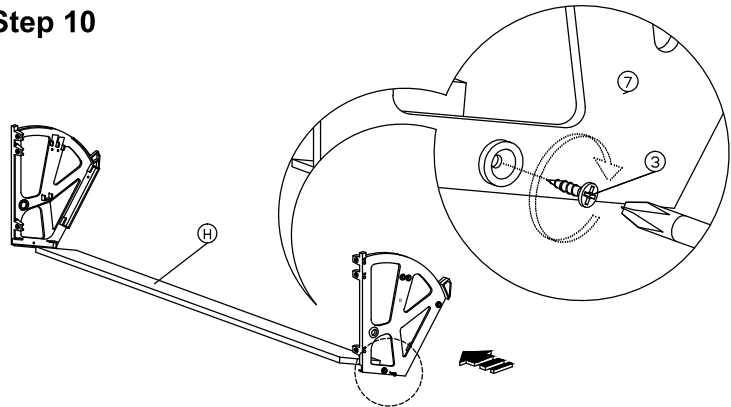
Step 8



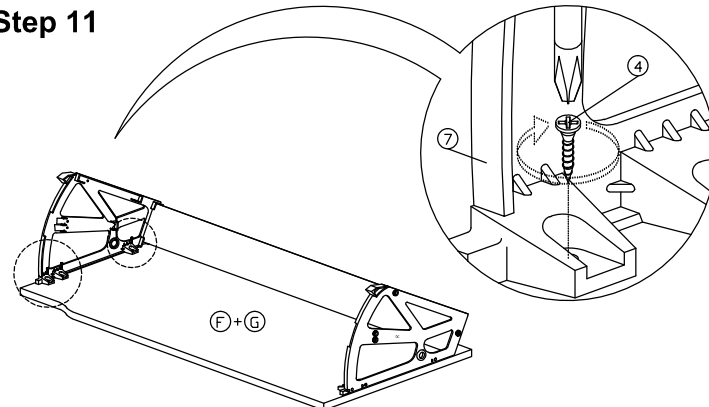
Step 9



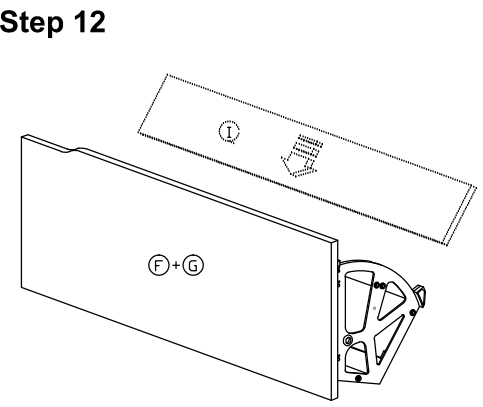
Step 10



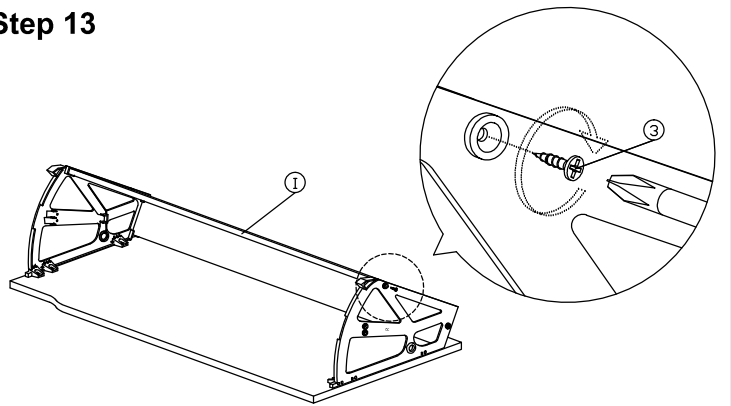
Step 11



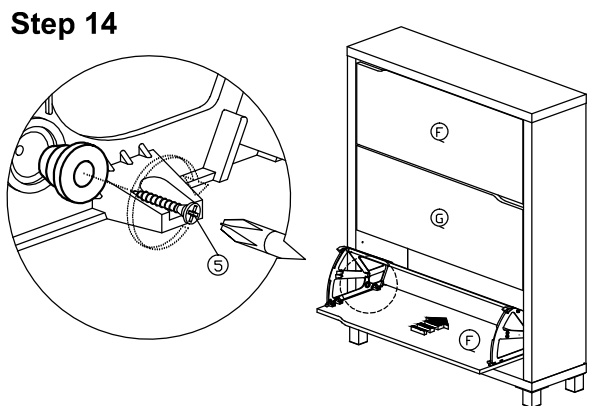
Step 12



Step 13



Step 14



Step 15

