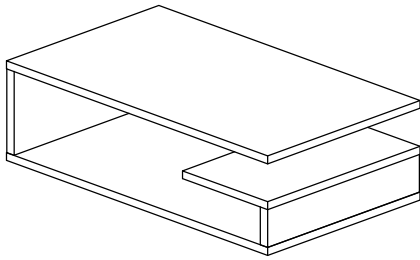
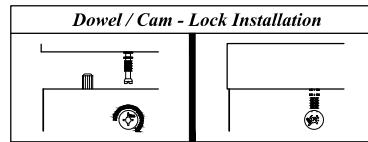


Assembly Instruction

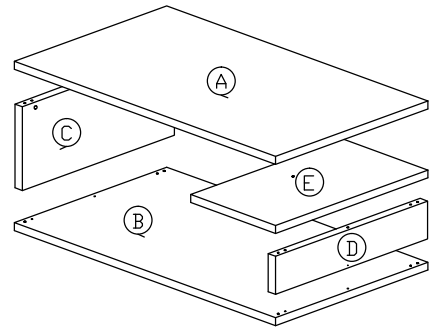
Model : WI4511



Hardware List			
No.	SHAPE	DESCRIPTION	Qty.
1		8x25mm Wood Dowel	8Pcs
2		15MM Titus Mini Fix	6Sets
3		M4x65mm Screw	6Pcs
4		Screw M8x40mm	1Pc
5		15mm Minifix Cap (hole)	6Pcs
6		Nail Leg	6Pcs
7		Steel Pipe (Ø30 x 164mm)	1Pc
8		Steel Pipe (Ø30 x 164mm)	1Pc

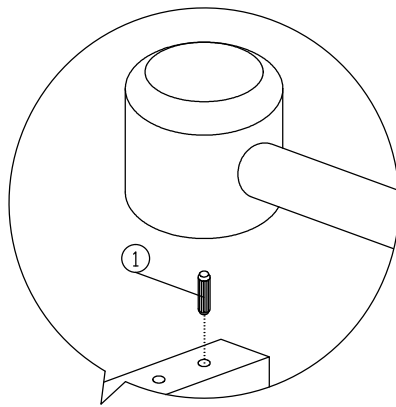
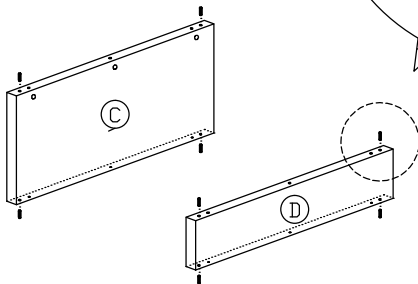


Part List



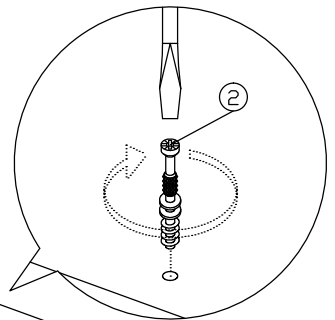
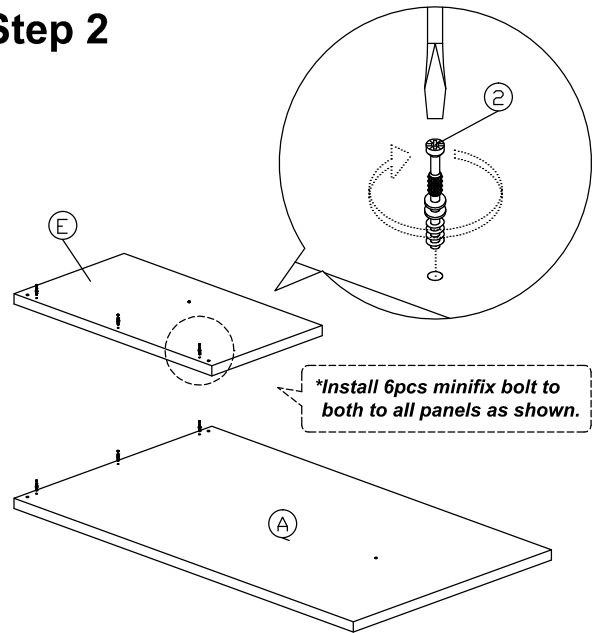
Step 1

*Install 8pcs Wood Dowel into all panels as shown.



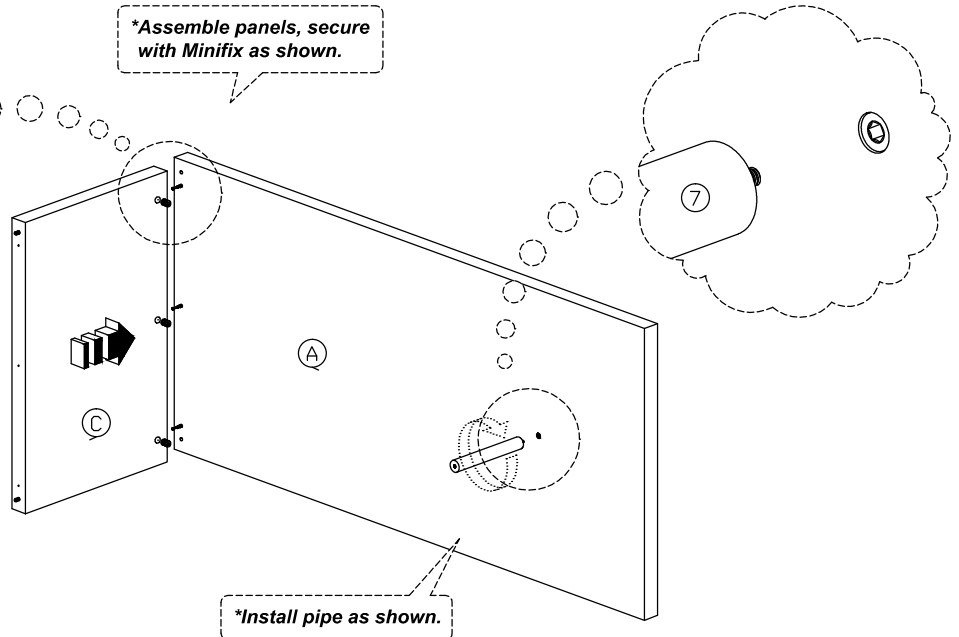
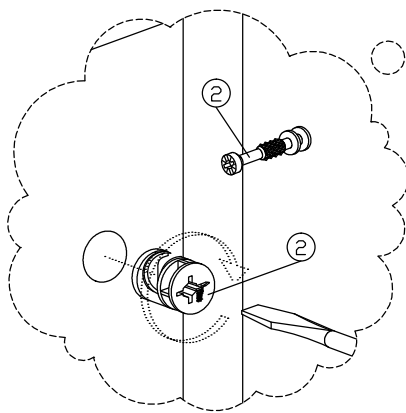
Step 2

*Install 6pcs minifix bolt to both to all panels as shown.

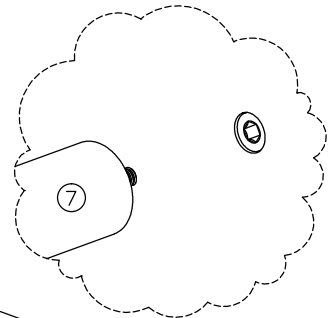


Step 3

*Assemble panels, secure with Minifix as shown.



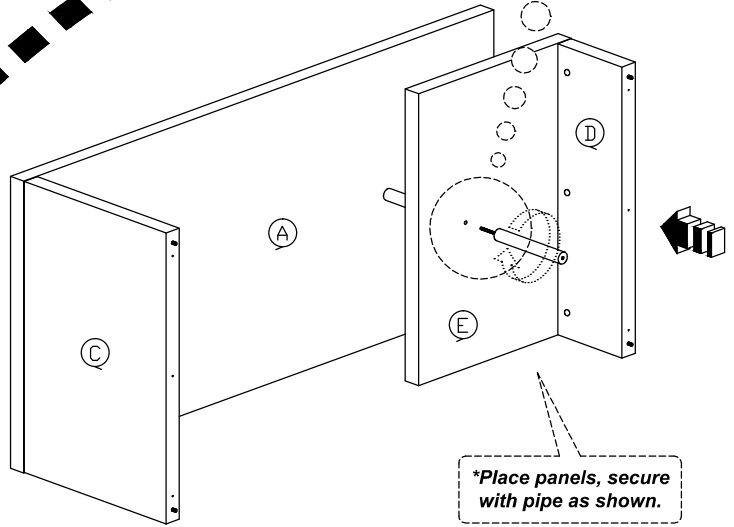
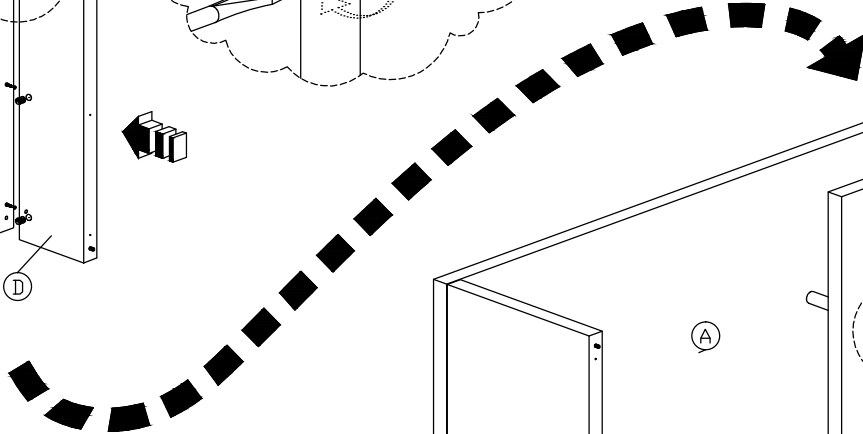
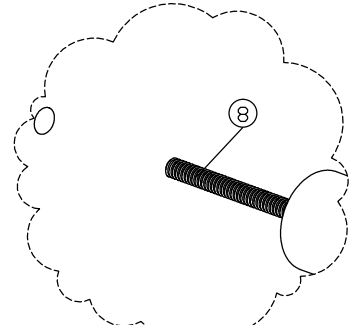
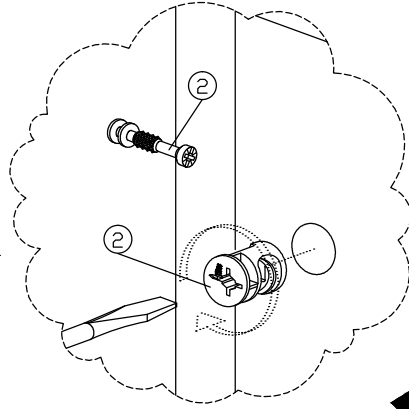
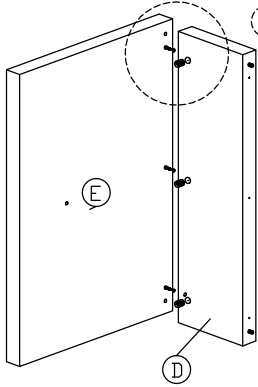
*Install pipe as shown.



Assembly Instruction

Step 4

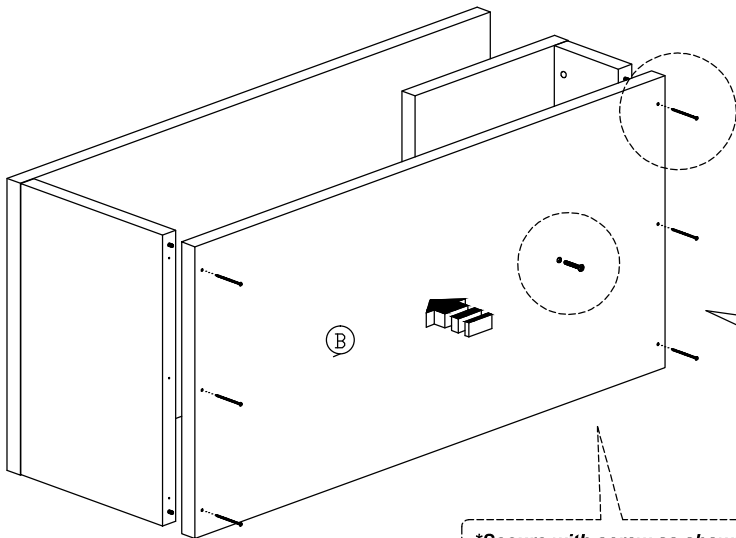
**Assemble panels, secure with Minifix as shown.*



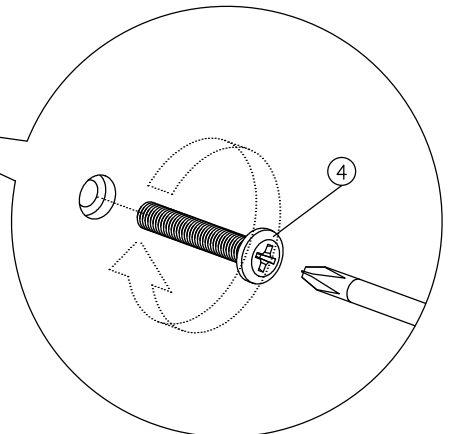
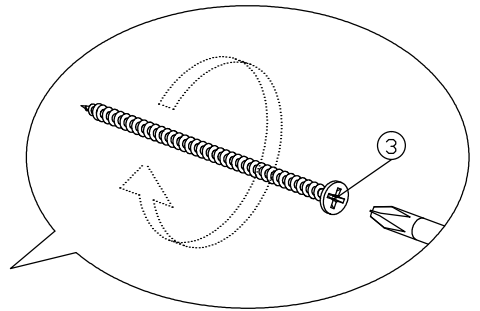
**Place panels, secure with pipe as shown.*

Step 5

**Place bottom panel, secure with screw as shown.*



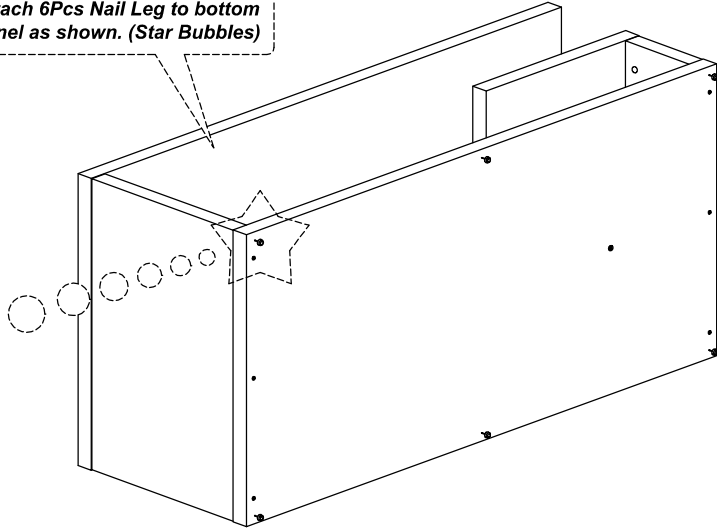
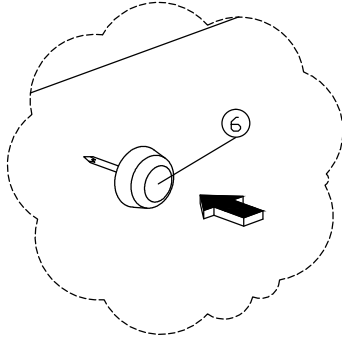
**Secure with screw as shown.*



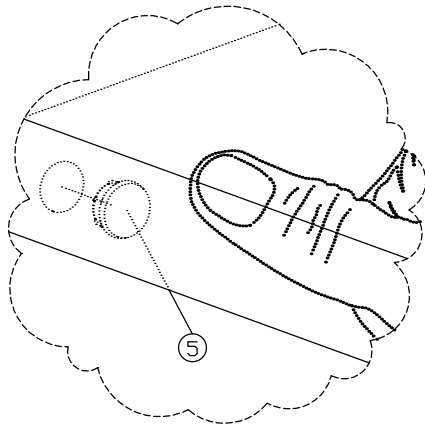
Assembly Instruction

Step 6

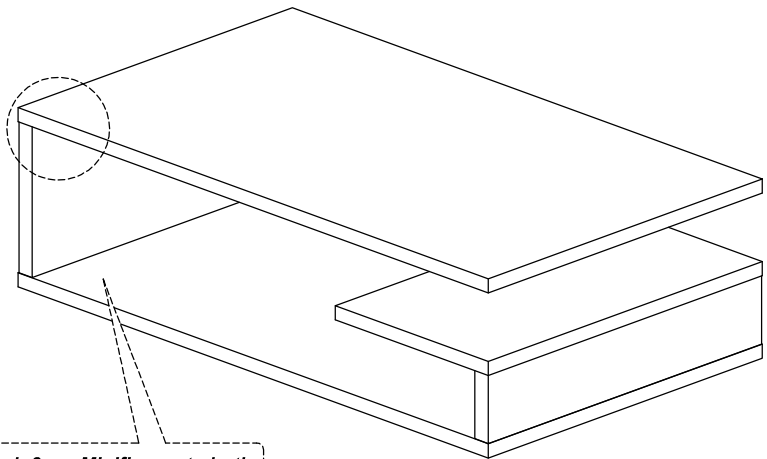
**Attach 6Pcs Nail Leg to bottom panel as shown. (Star Bubbles)*



Step 7



**Attach 6pcs Minifix cap to both side panels hole as shown.*



Complete

