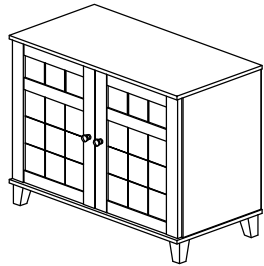


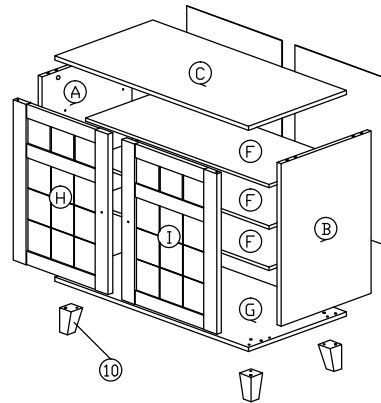
Assembly Instruction

Model : FP - 1201

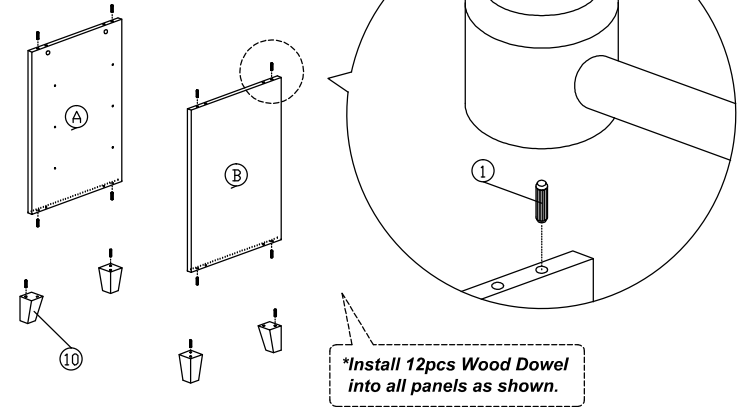


Hardware List			
No.	SHAPE	DESCRIPTION	Qty.
1		8x25mm Wood Dowel	12Pcs
2		15MM Titus Mini Fix	4Sets
3		M4x38mm Screw	4Pcs
4		M7x40mm Screw	4Pcs
5		Shelf Support	14Pcs
6		M6x22 Steel Bracket	4Pcs
7		Nail	25Pcs
8		Brown Magnet 2 Pin	2Sets
9		Handle (9988) M4x30mm (Handle Screw)	2Sets
10		Wooden Leg	4Pcs
11		L Key	1Pc

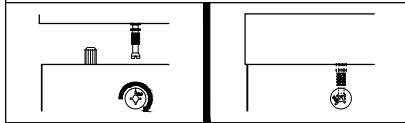
Part List



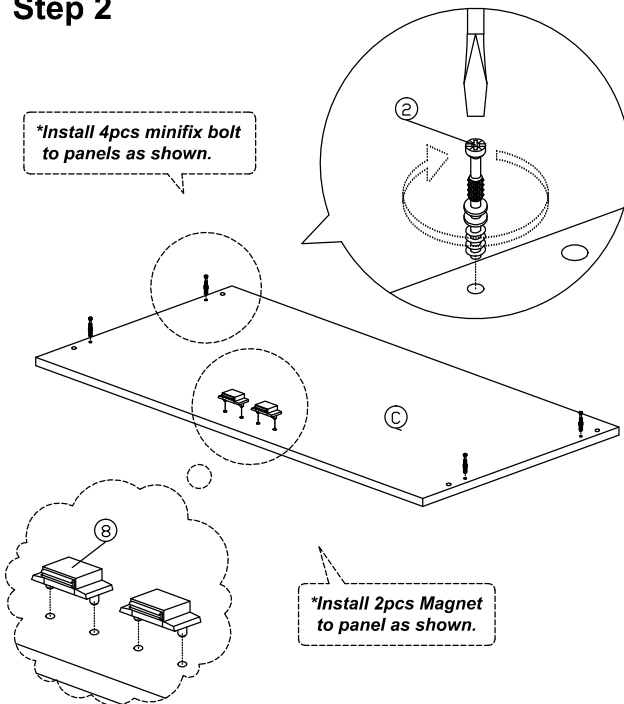
Step 1



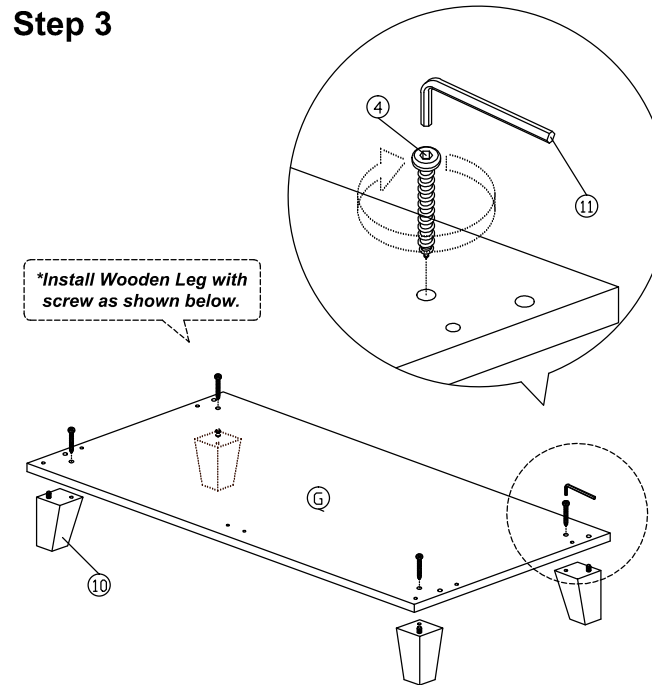
Dowel / Cam - Lock Installation



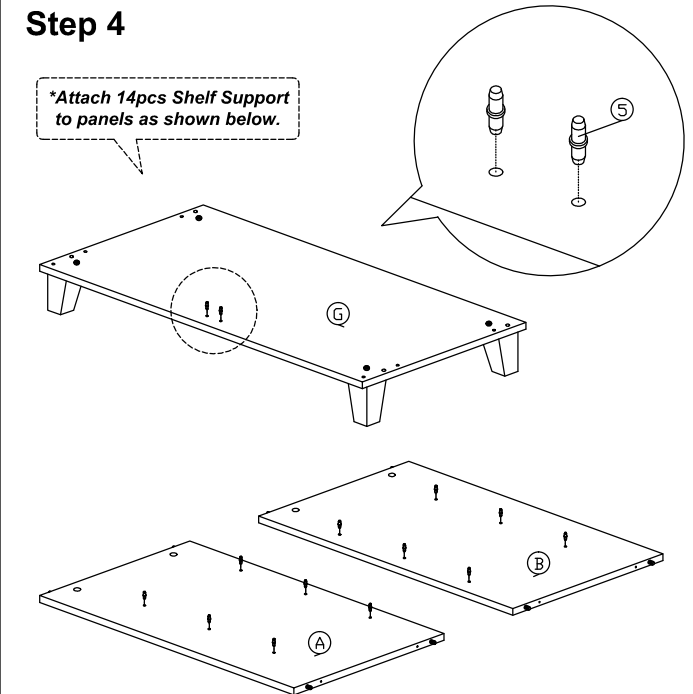
Step 2



Step 3

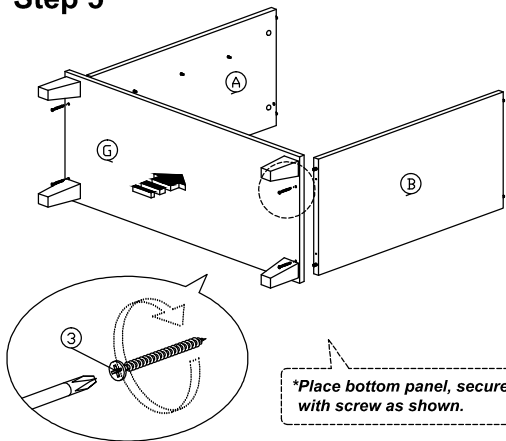


Step 4

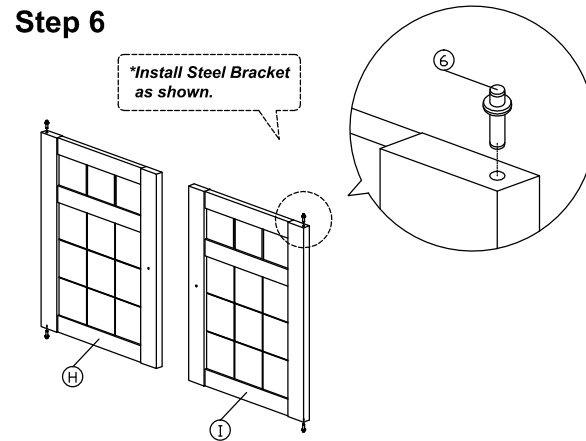


Assembly Instruction

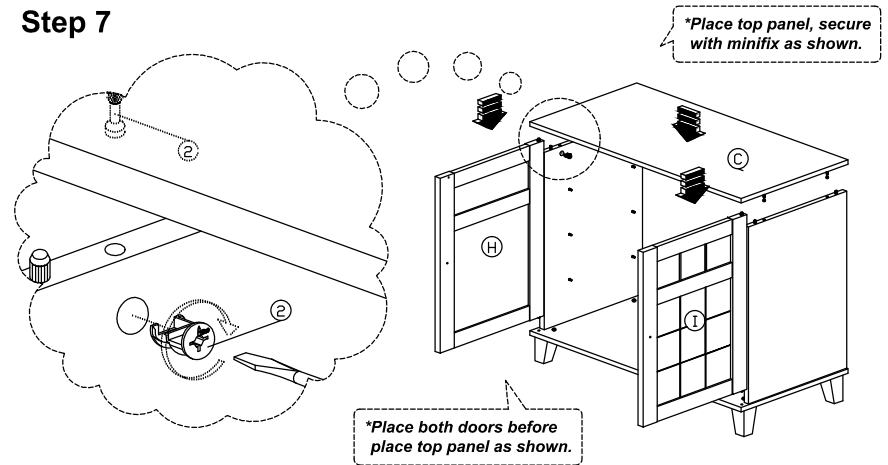
Step 5



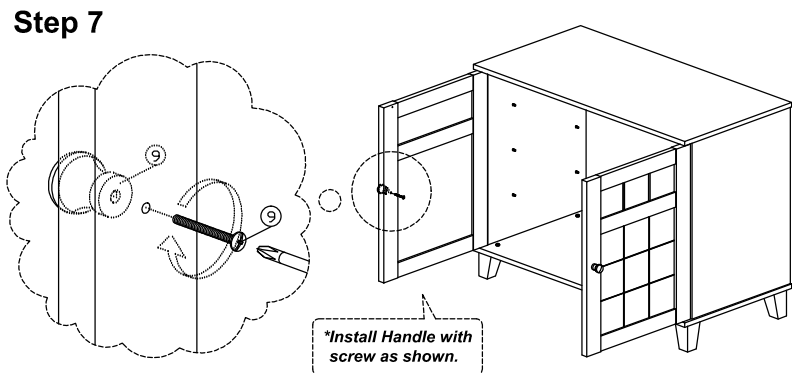
Step 6



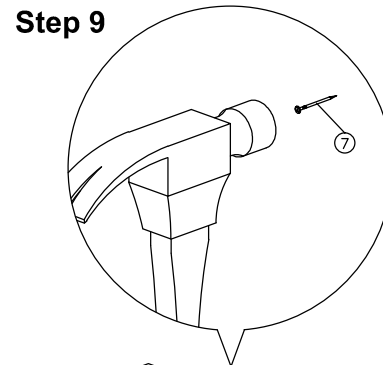
Step 7



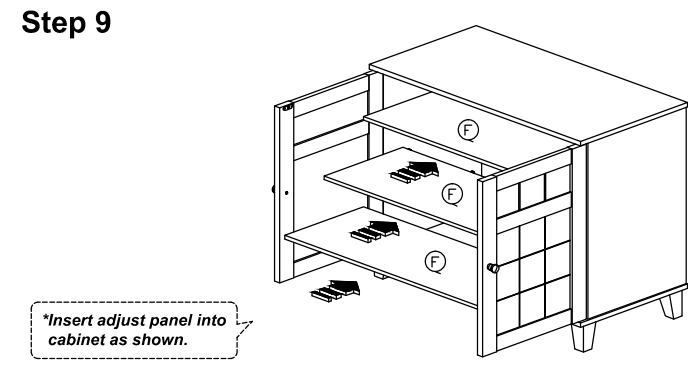
Step 7



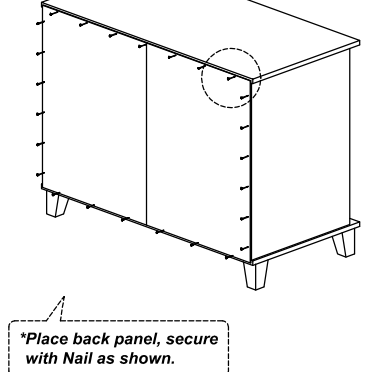
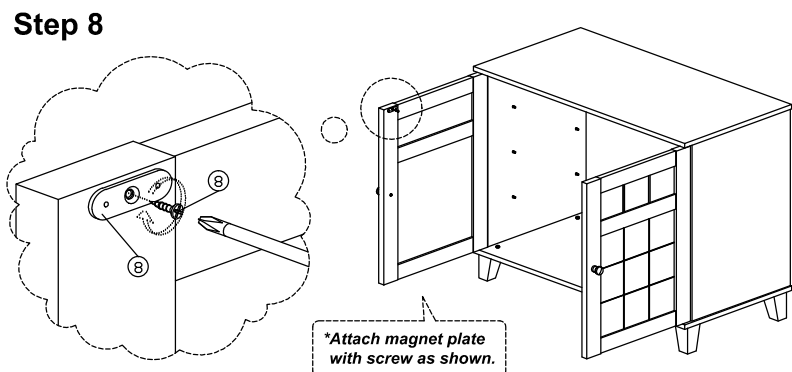
Step 9



Step 9



Step 8



Complete

