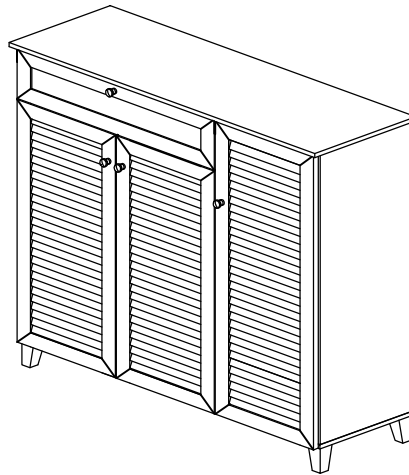
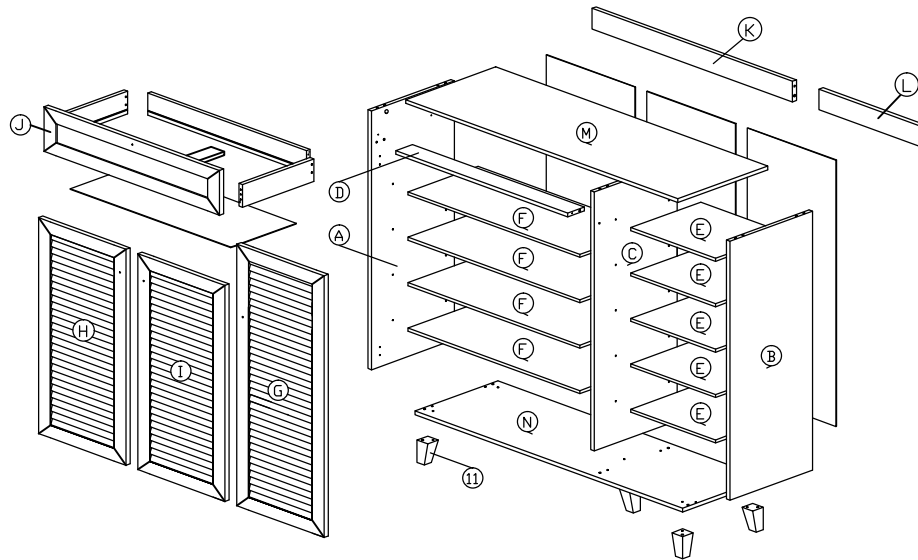


# Assembly Instruction

Model : WI5308



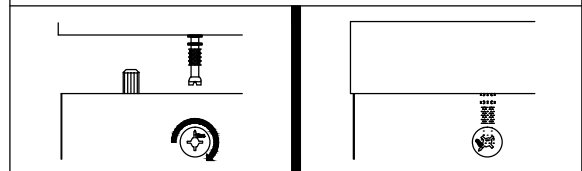
## Part List



Hardware List			
1		8x25mm Dowel	27Pcs
2		(15MM) Titus Mini Fix	9Sets
3		M3.5x15mm Screw	4Pcs
4		M4x38mm Screw	17Pcs
5		M7x40mm Screw	5Pcs
6		TP 10#x1/2" Screw	24Pcs
7		Hinges (012)F	6Sets
8		M5x16 Shelf Support	36Pcs
9		Drawer Slide = 300mm	1Set

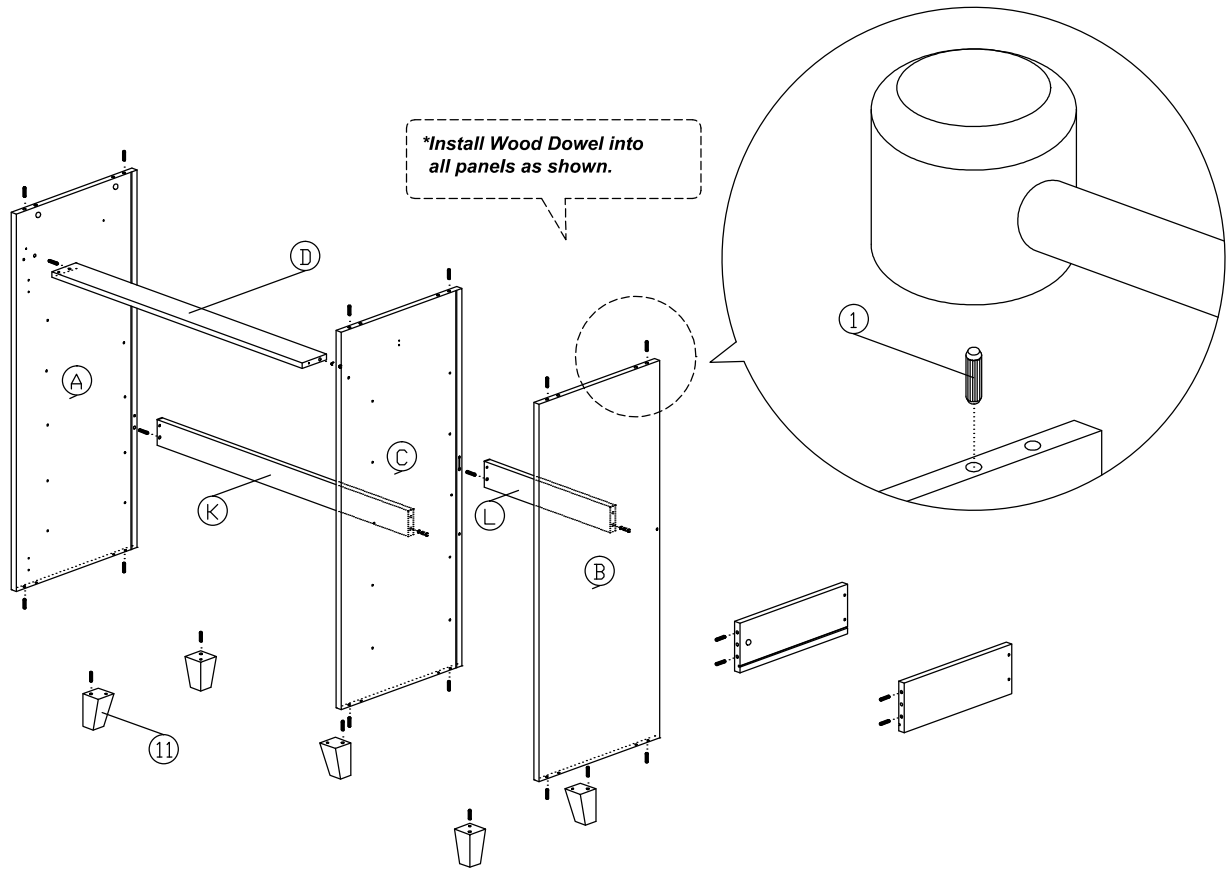
10		M5x8mm Screw (Euro Screw)	4Pcs
11		Wooden Leg	5Pcs
12		Handle ( 9988 ) M4x25mm Handle Screw	4Sets
13		Allen Key	1Pc
14		Z Bracket(Big)	4Pcs
15		M3 x 16mm Screw	8Pcs
16		Screw Cap	3Pcs
17		15mm Minifix Cap	2Pcs

### Dowel / Cam - Lock Installation



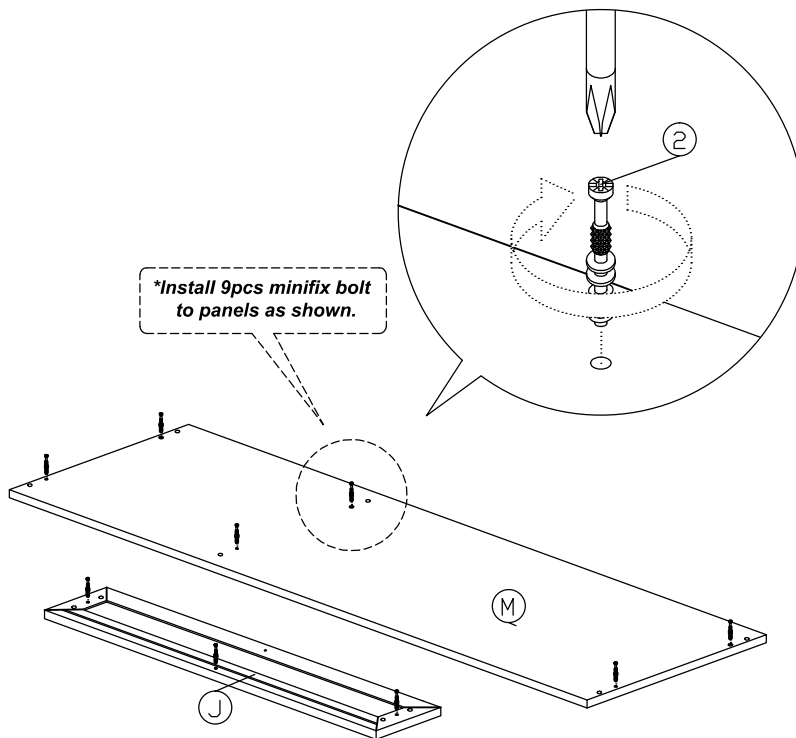
# Assembly Instruction


## Step 1



1		27Pcs
---	---	-------

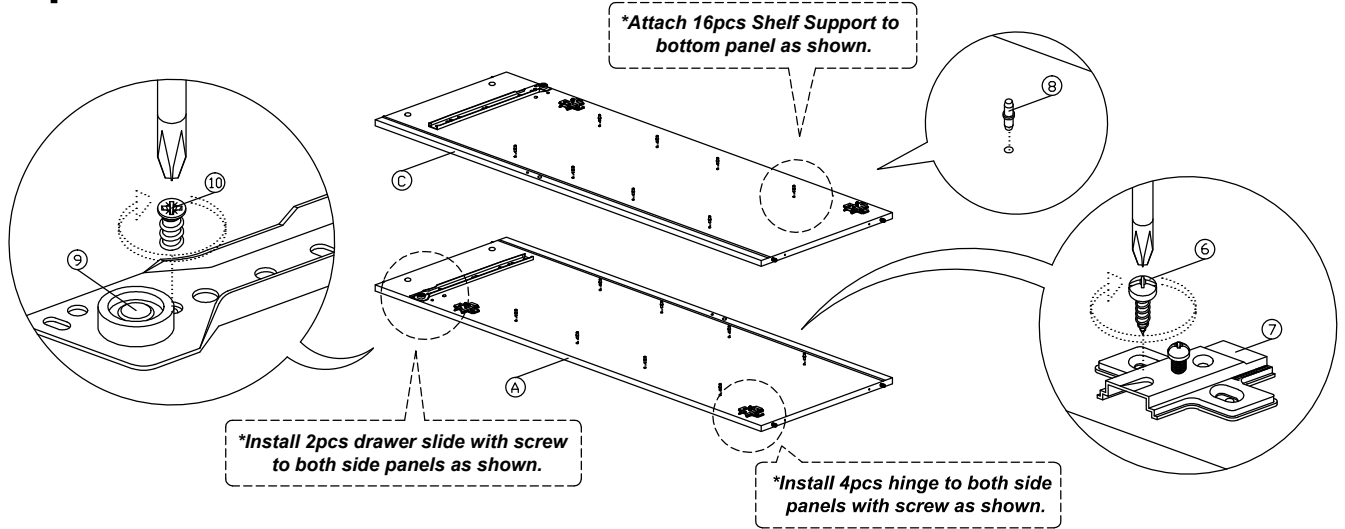
## Step 2



2		9Pcs
---	---	------

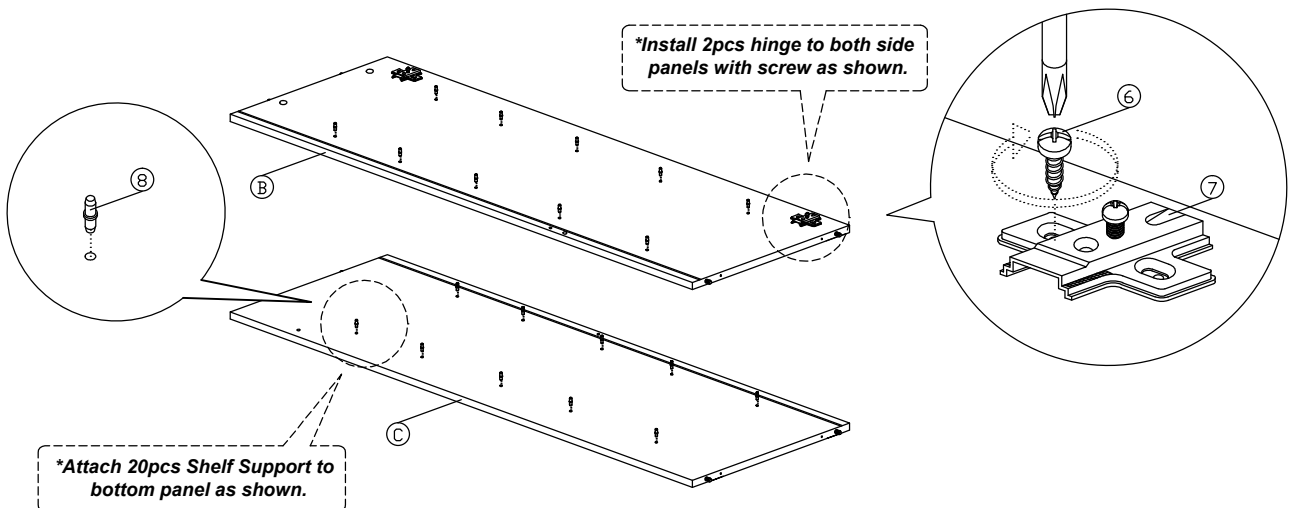
# Assembly Instruction

## Step 3



6		8Pcs
7		4Pcs
8		16Pcs
9		2Pcs
10		4Pcs

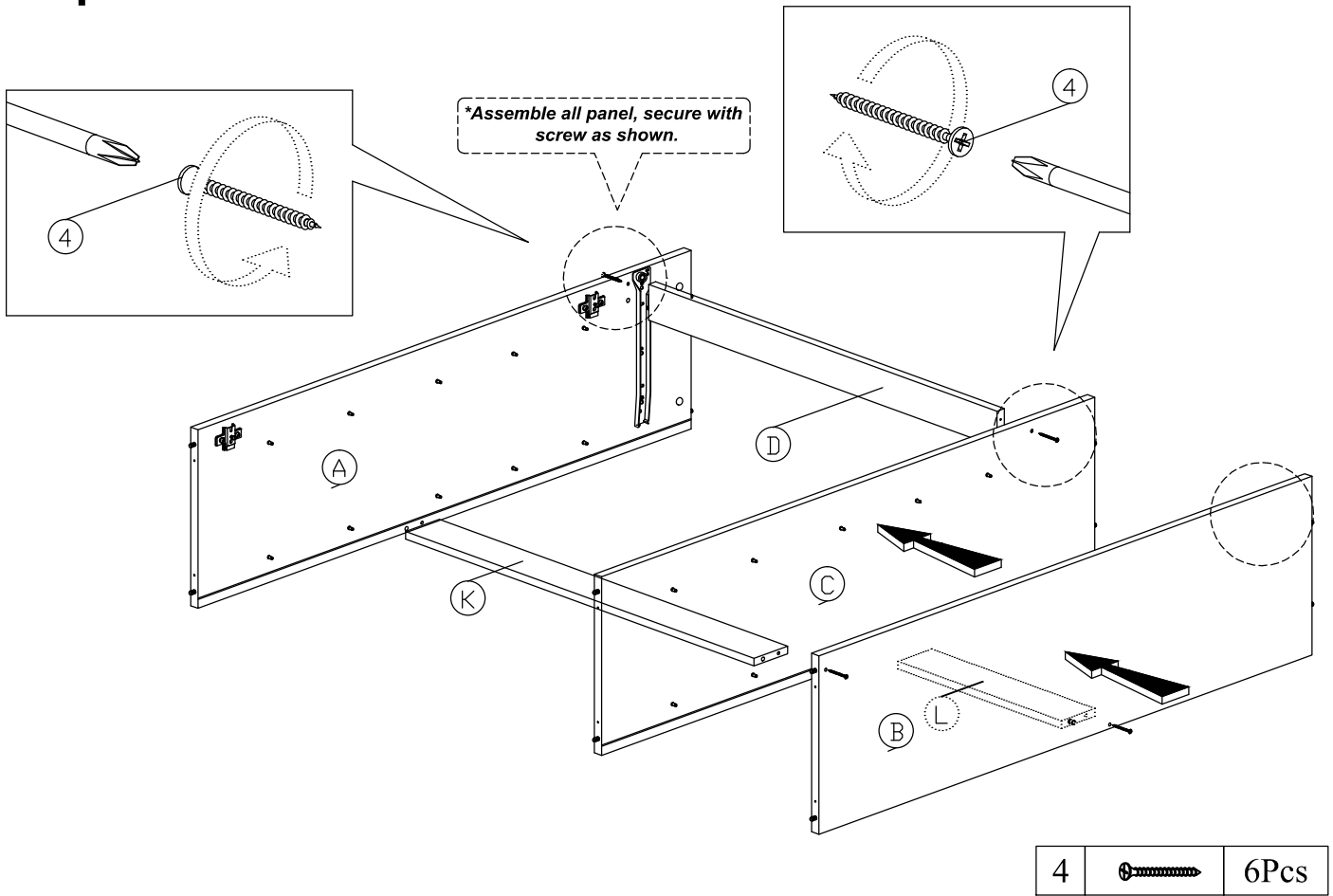
## Step 4



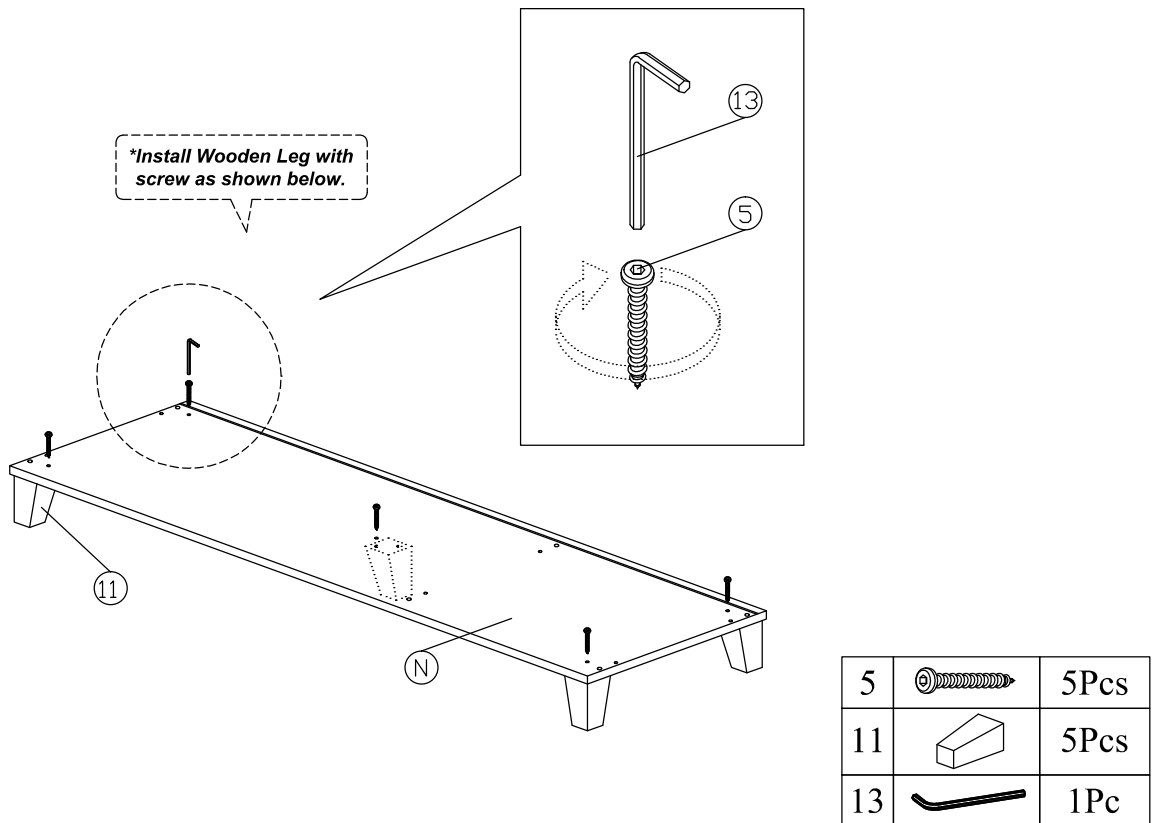
6		4Pcs
7		2Pcs
8		20Pcs

# Assembly Instruction

## Step 5

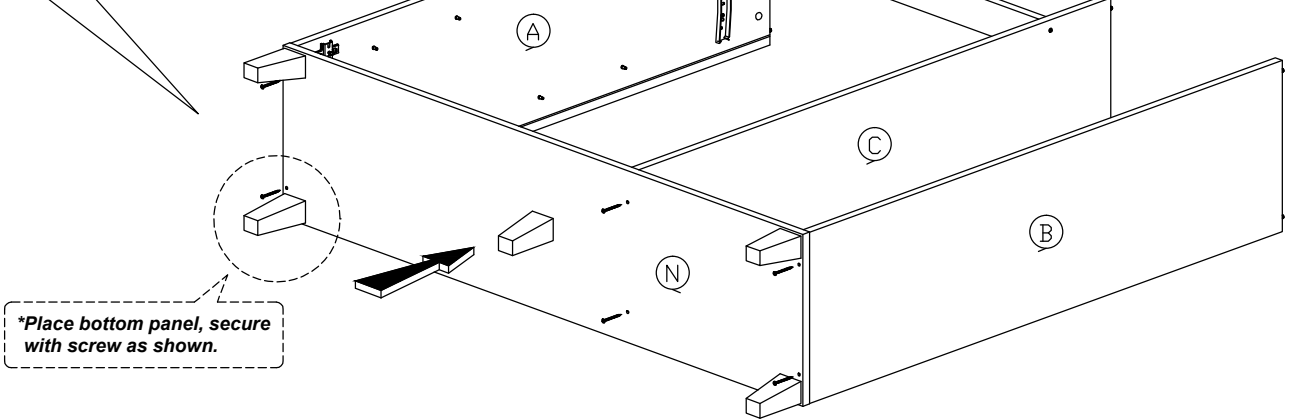
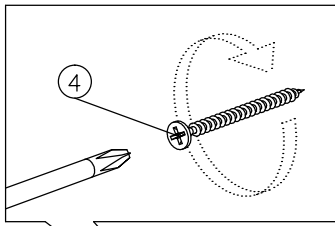



## Step 6



# Assembly Instruction

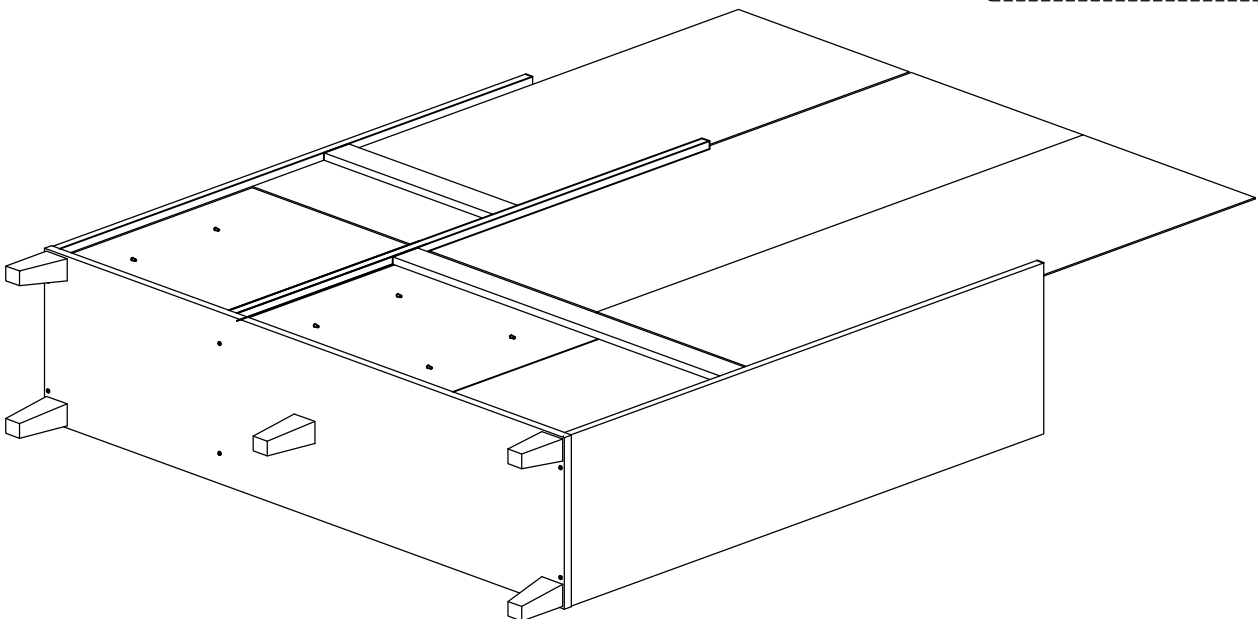
## Step 7



4		6Pcs
---	---	------

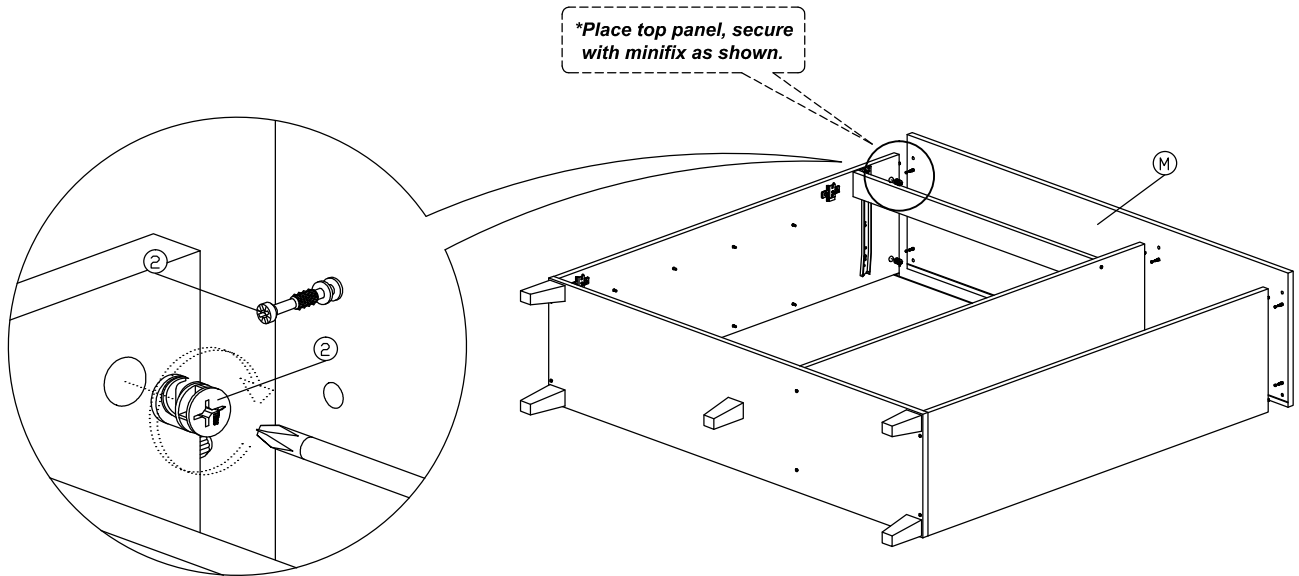
## Step 8

*\*Insert back panel as shown below.*



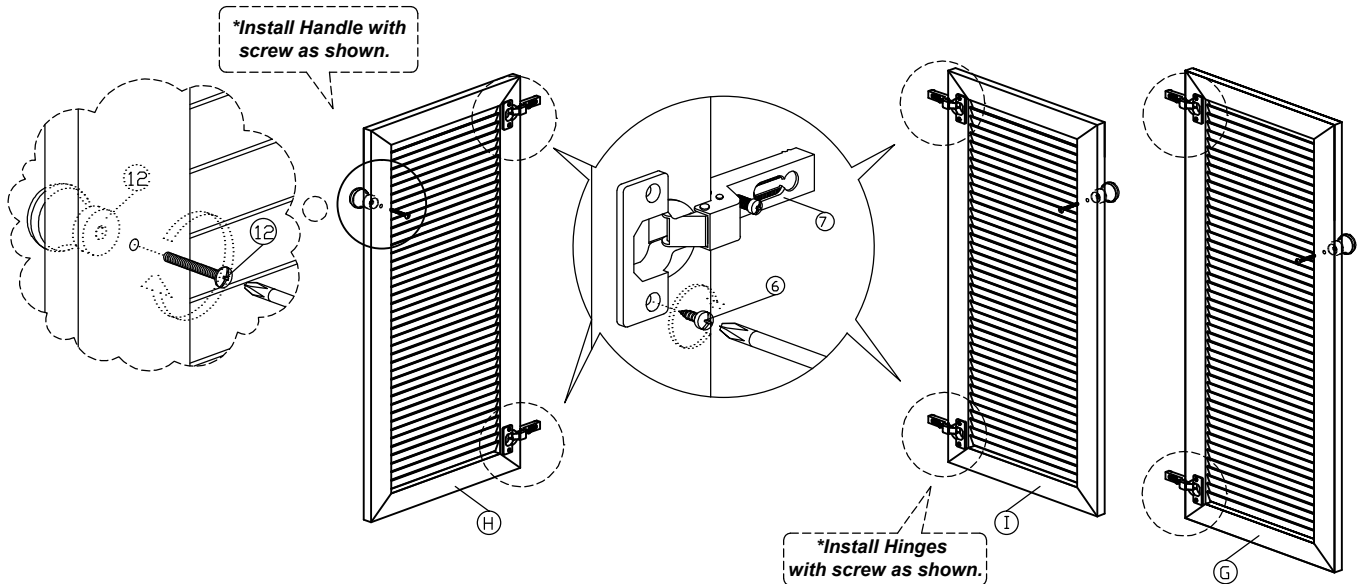
# Assembly Instruction


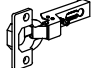

## Step 9



2		6Pcs
---	---	------

## Step 10

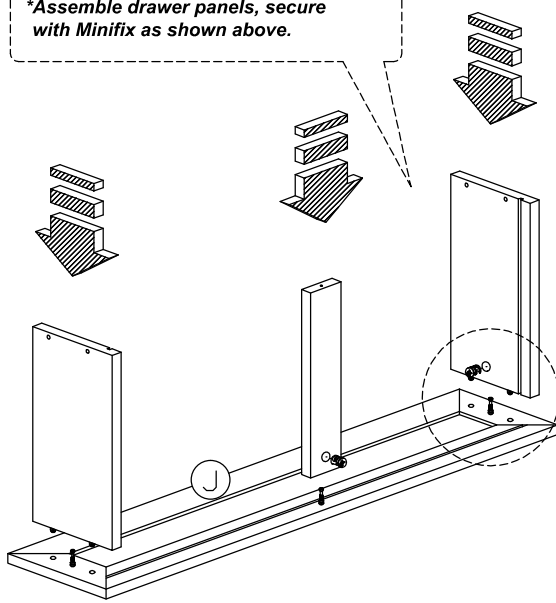


6		12Pcs
7		6Pcs
12		3Sets

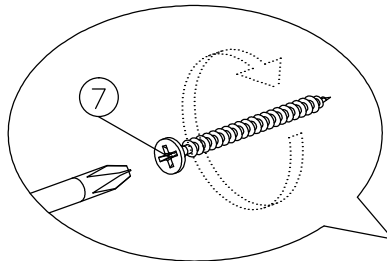
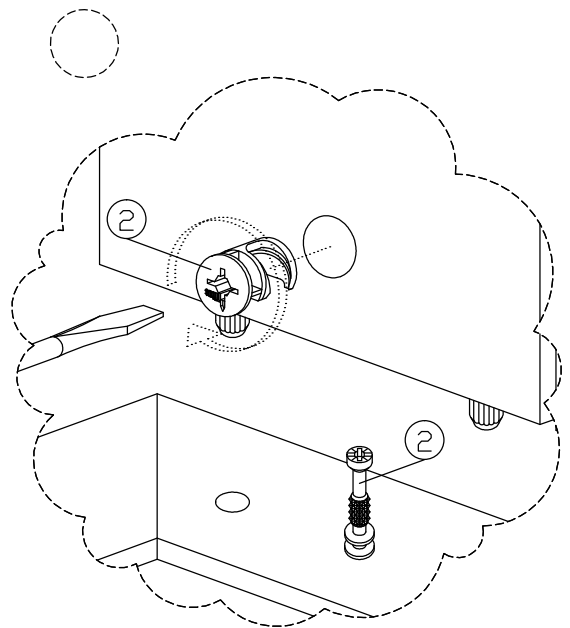
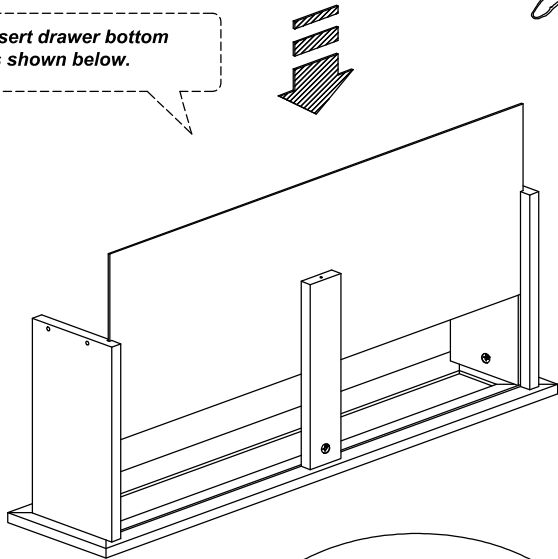
# Assembly Instruction

## Step 11



*\*Assemble drawer panels, secure with Minifix as shown above.*

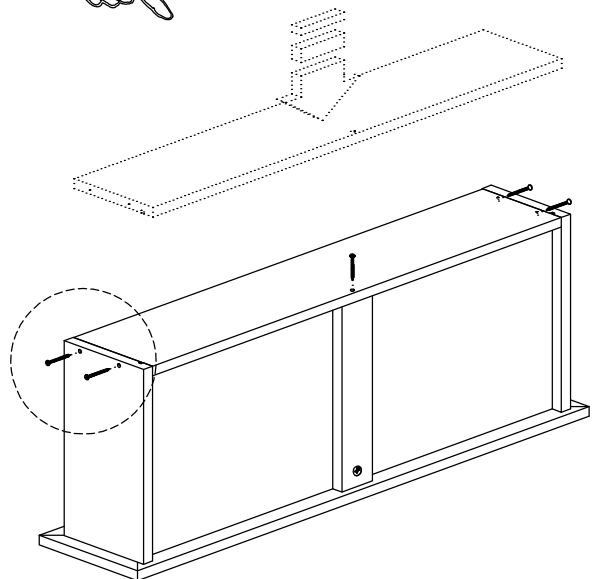


*\*Insert drawer bottom as shown below.*



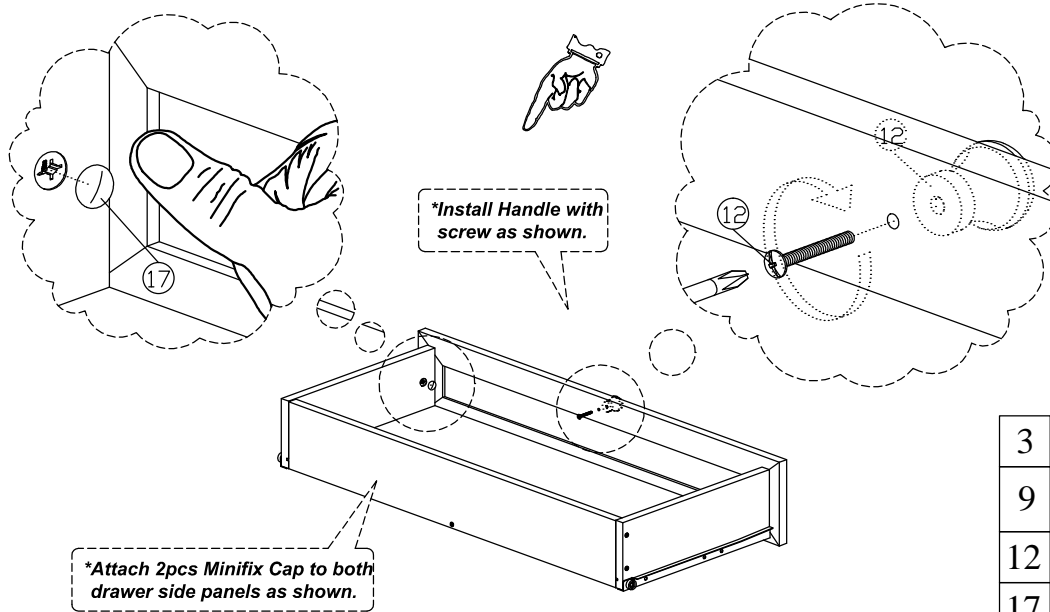
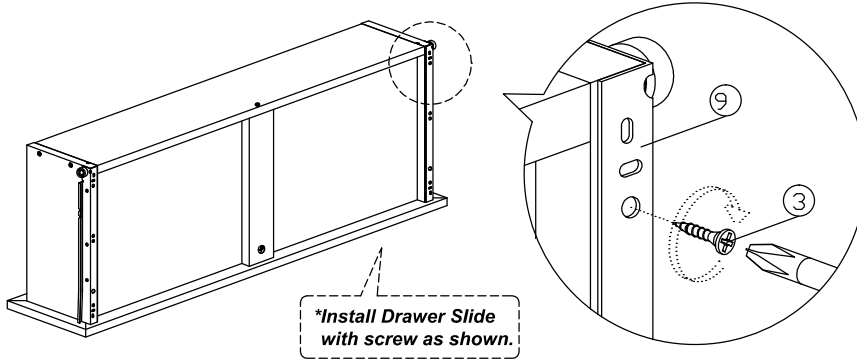
*\*Insert drawer back, secure with screw as shown.*

2		3Pcs
4		5Pcs



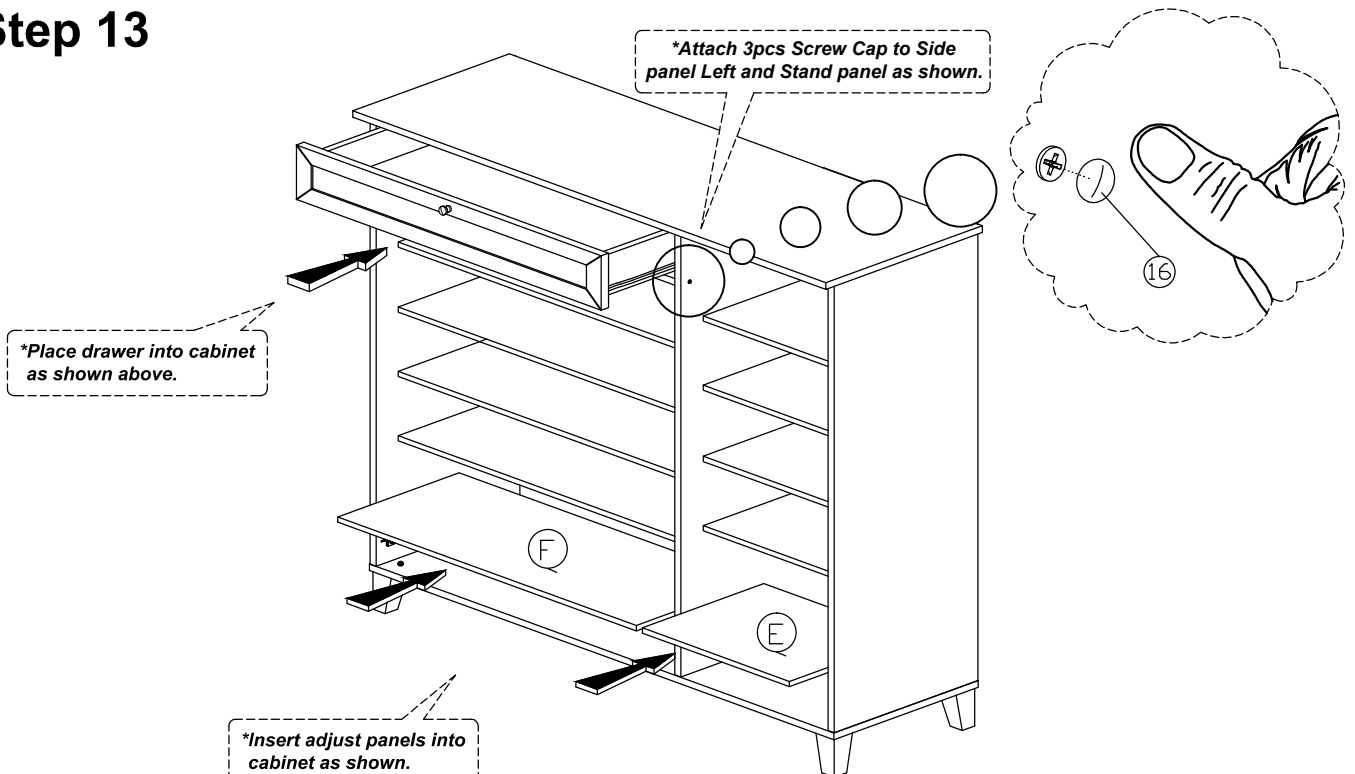
# Assembly Instruction

## Step 12



3		4Pcs
9		2Pcs
12		1Set
17		2Pcs

## Step 13



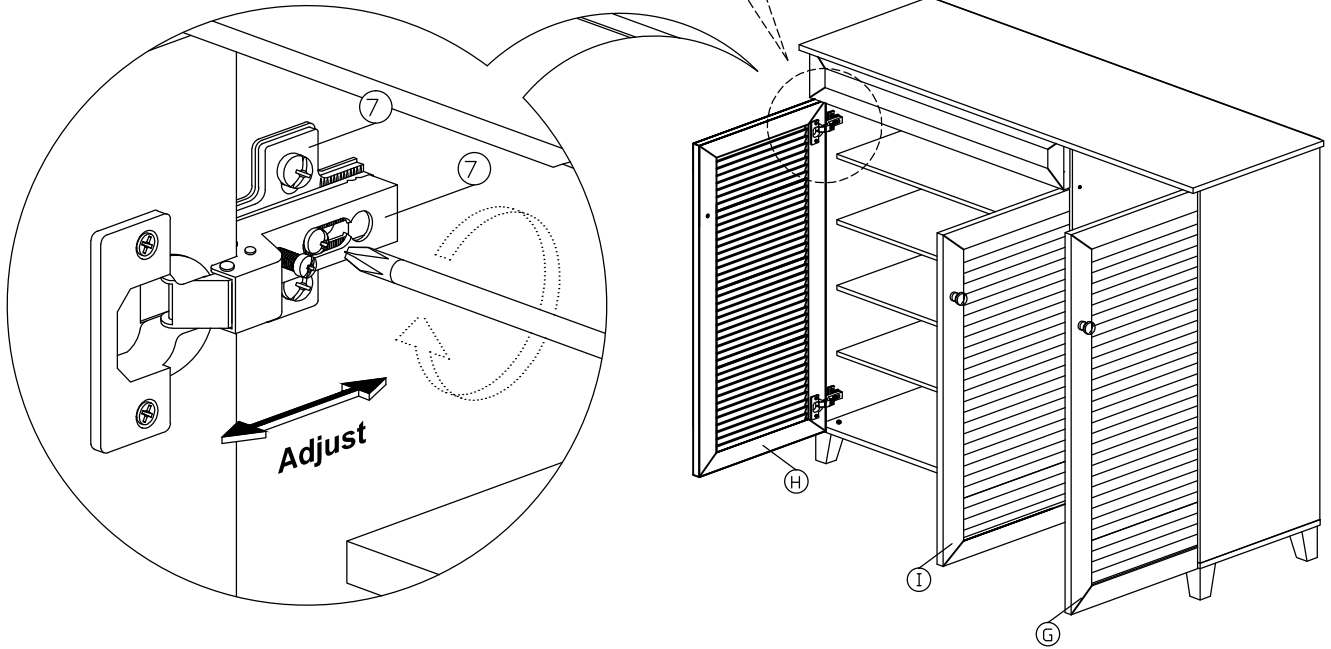
16		3Pcs
----	--	------



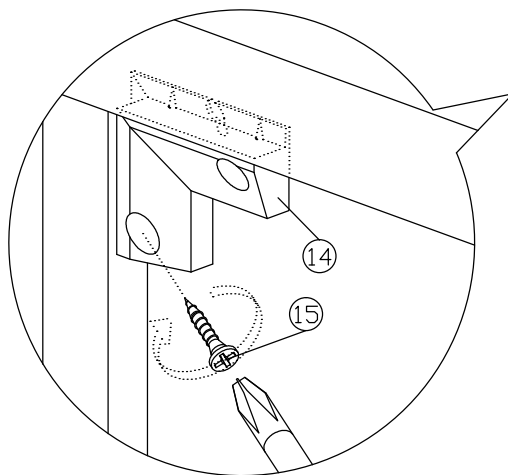
# Assembly Instruction

## Step 14

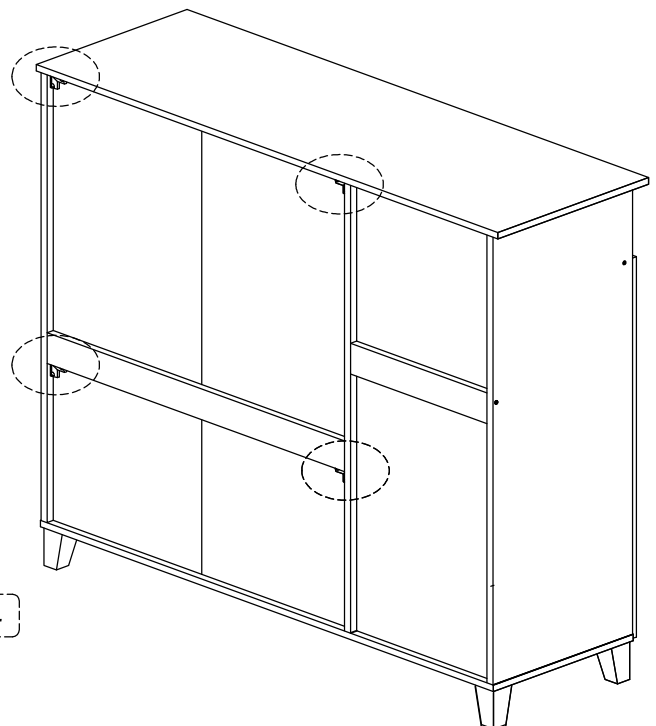
*\*Assemble Doors, then tighten the Hinge after adjusted to desired position.*





## Step 15



*\*Install Z Bracket with screw as shown.*



14		4Pcs
15		8Pcs