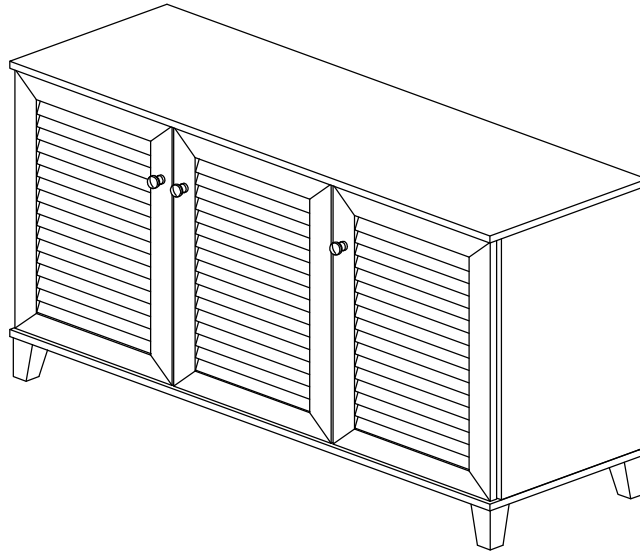
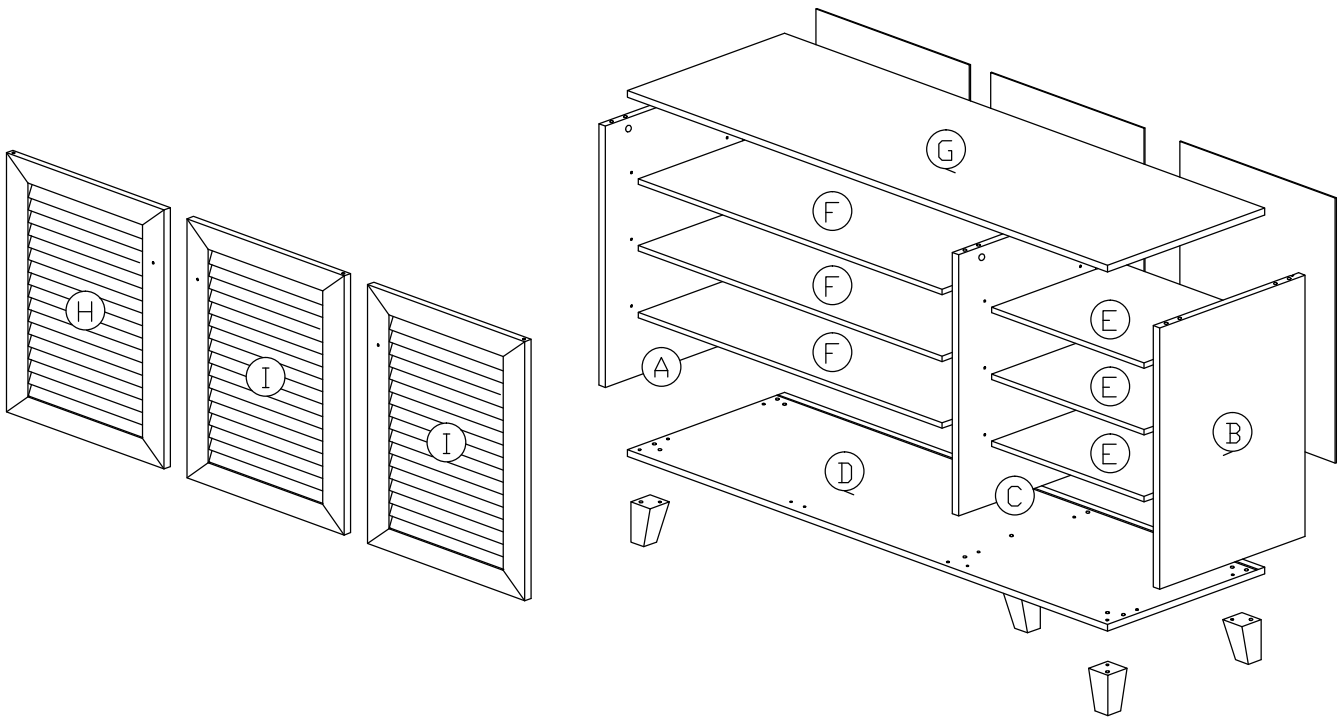


Assembly Instruction

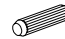
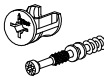
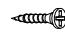



Model : WI5307


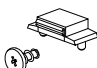



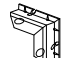


Part List



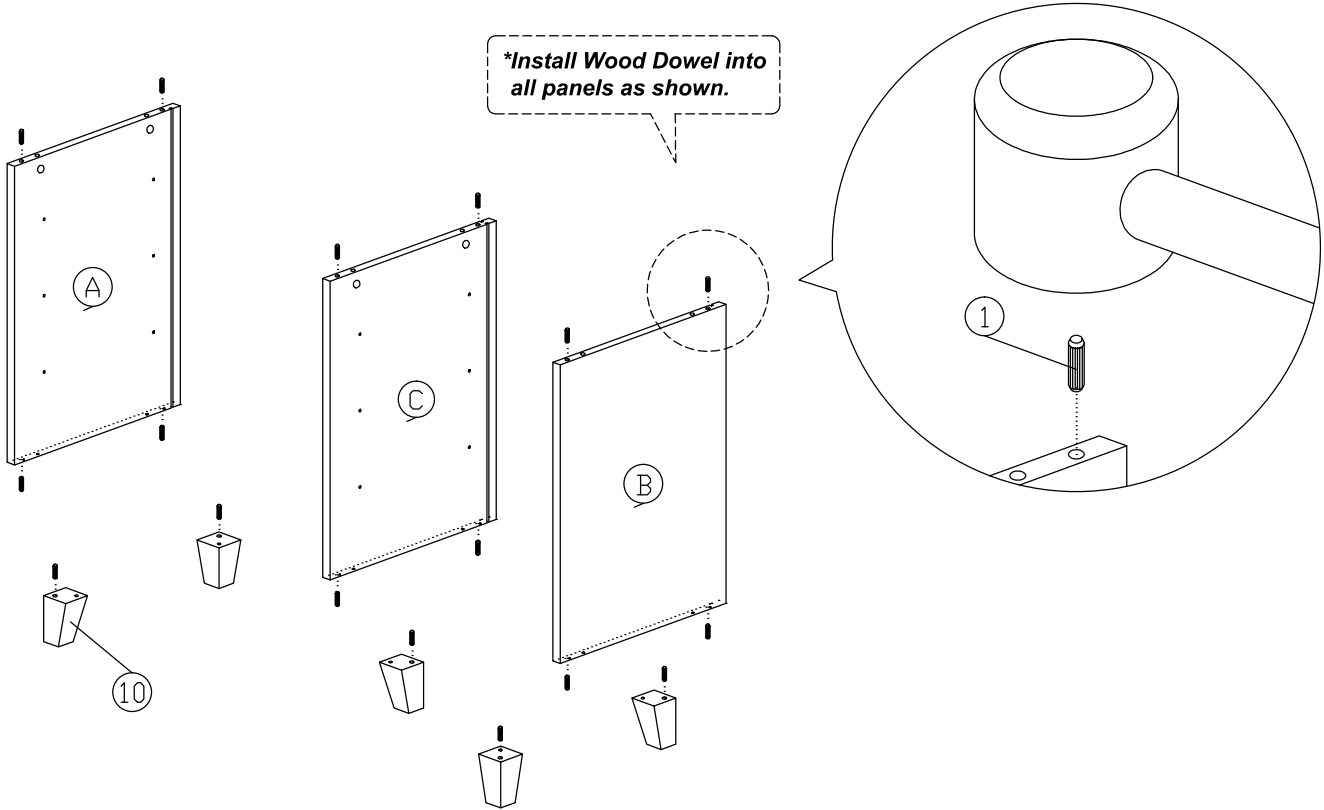
Hardware List

No.	SHAPE	DESCRIPTION	Qty.
1		8x25mm Wood Dowel	17Pcs
2		15MM Titus Mini Fix	6Sets
3		M3x16mm Screw	8Pcs
4		M4x38mm Screw	6Pcs
5		M7x40mm Screw	5Pcs
6		Shelf Support	27Pcs

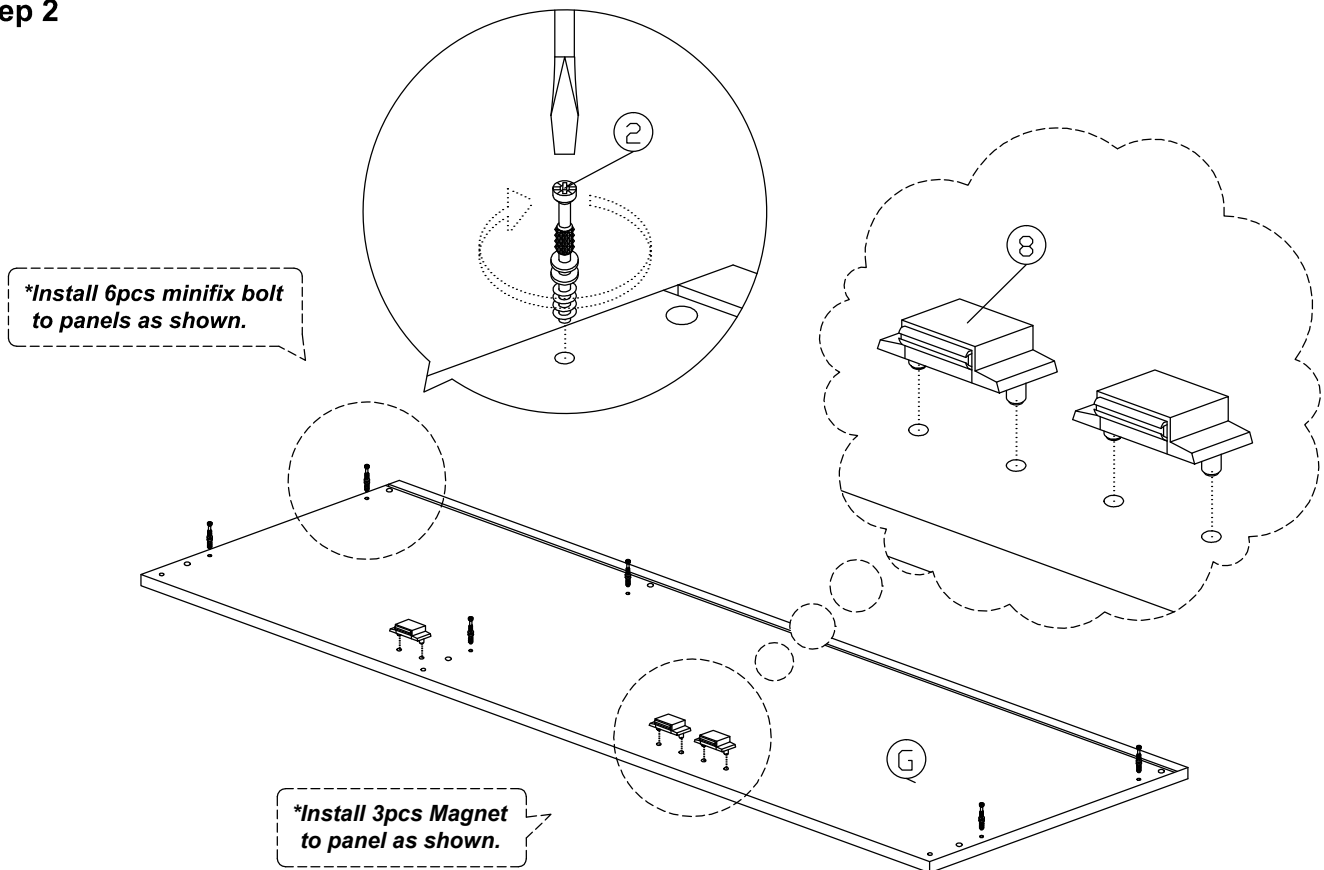
7		M6x22 Steel Bracket	6Pcs
8		Brown Magnet 2 Pin Flat Head Tapping Screw M6x10mm ZB	3Sets
9		Handle (9988) M4x25mm (Handle Screw)	3Sets
10		Wooden Leg	5Pcs
11		L Key	1Pc
12		Z Bracket	4Pcs

Assembly Instruction

Step 1

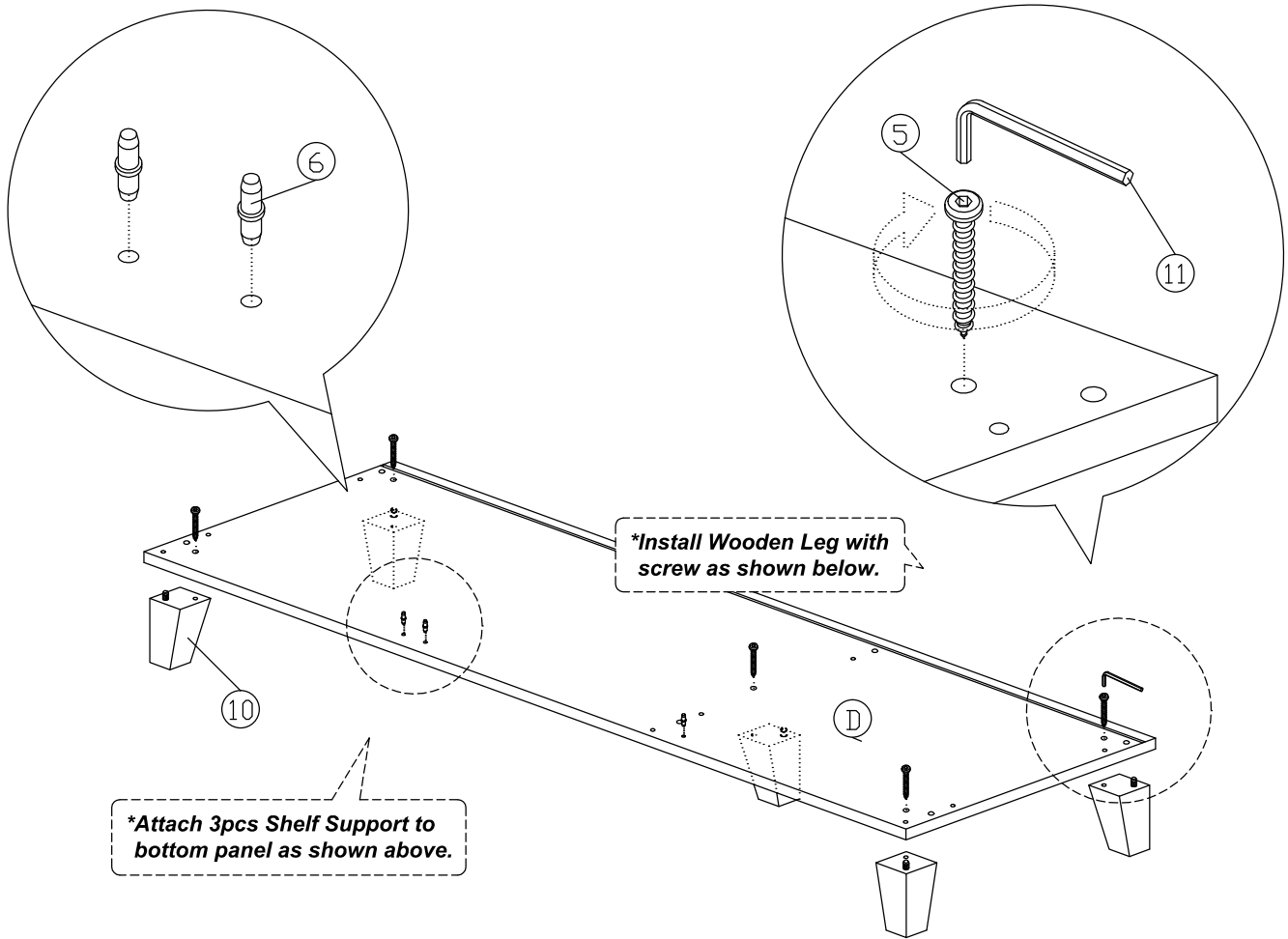


Step 2

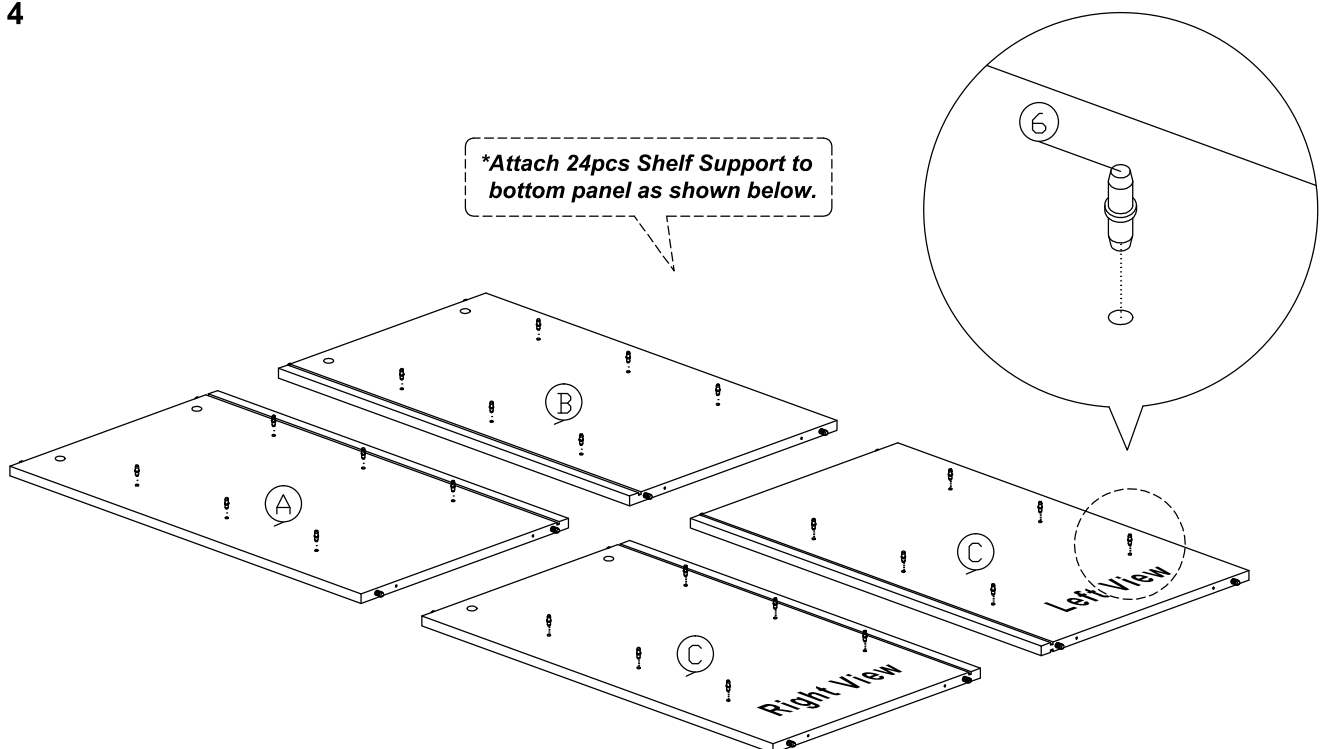


Assembly Instruction

Step 3

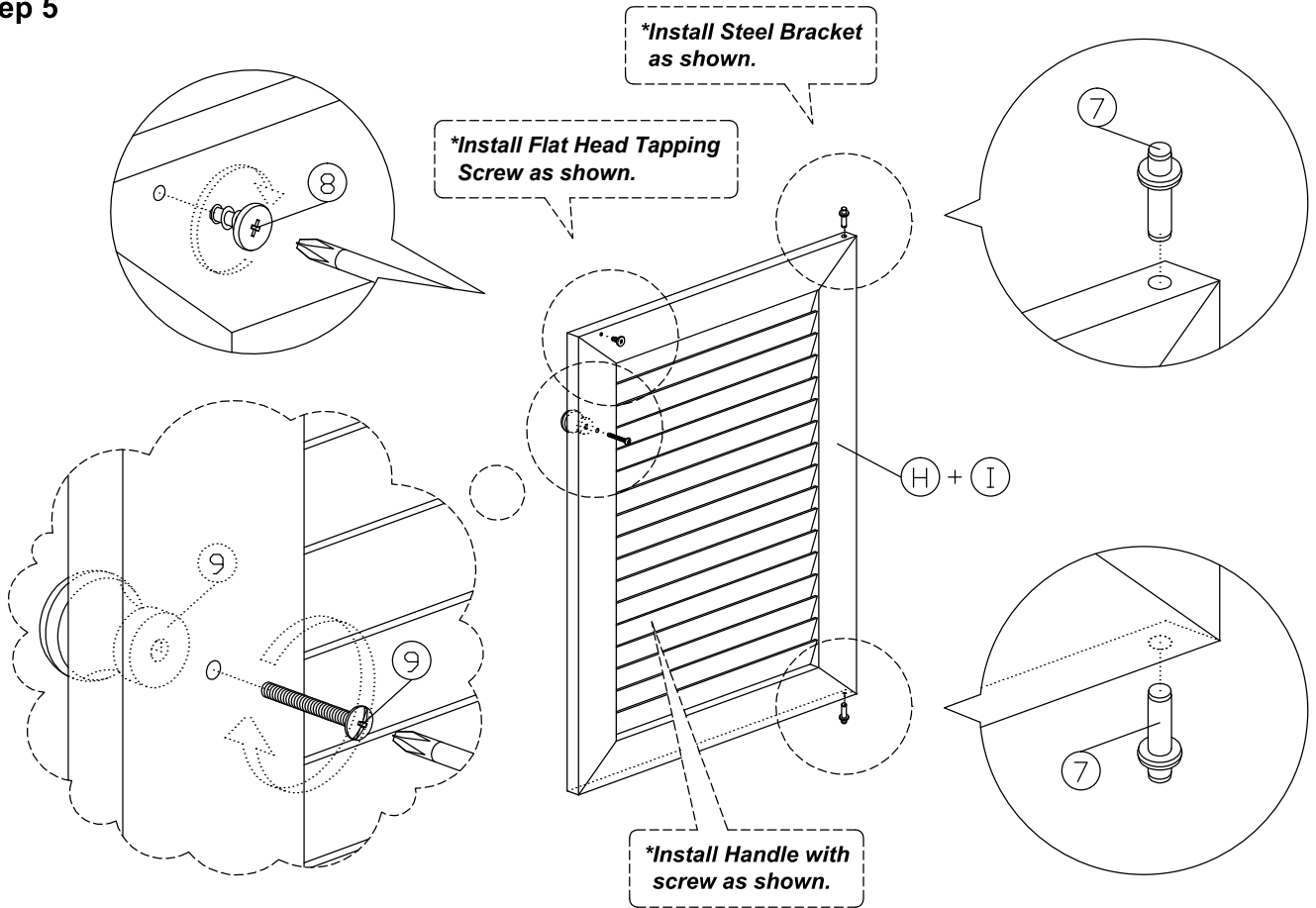


Step 4

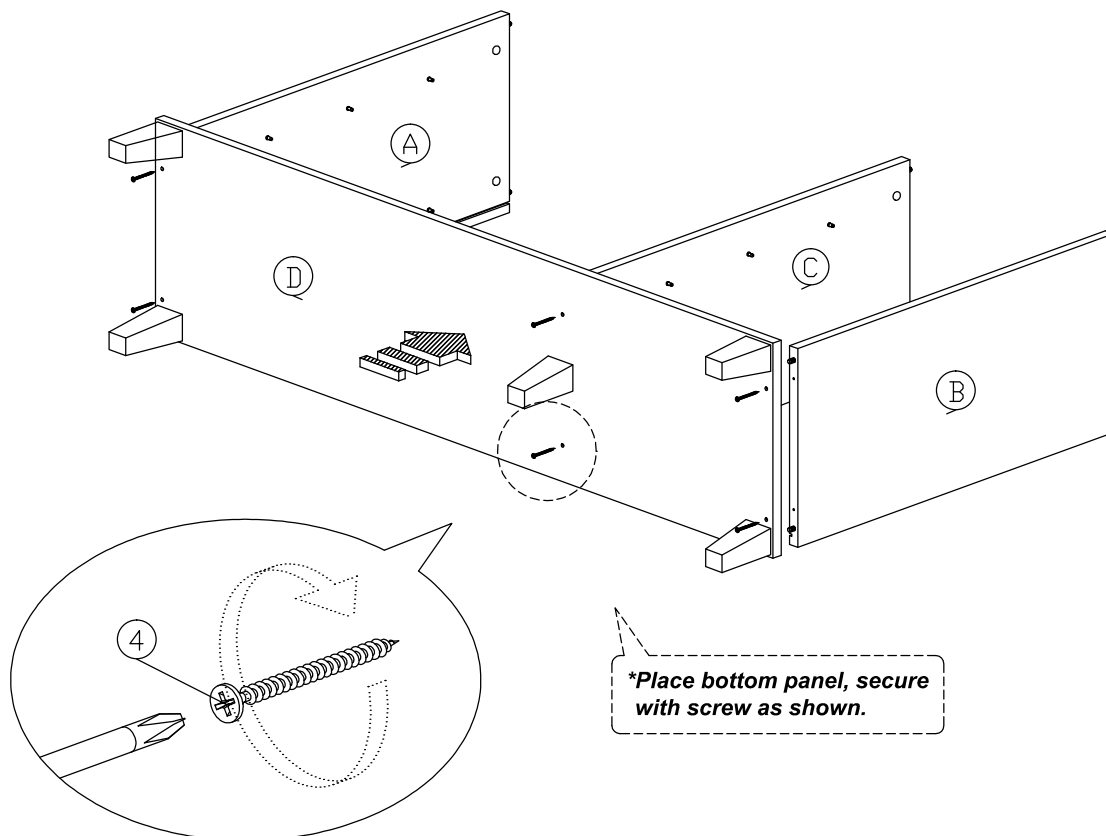


Assembly Instruction

Step 5

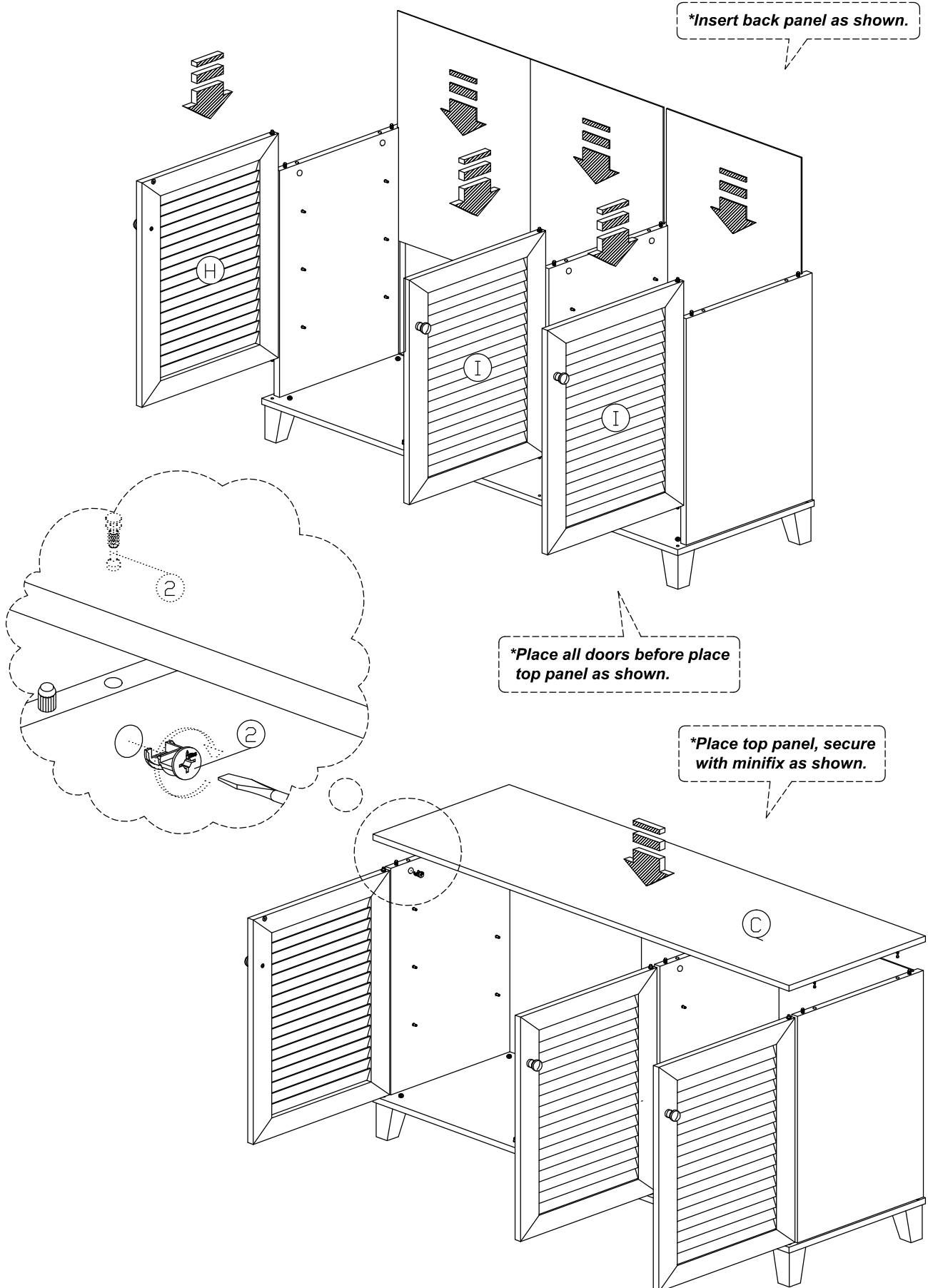


Step 6



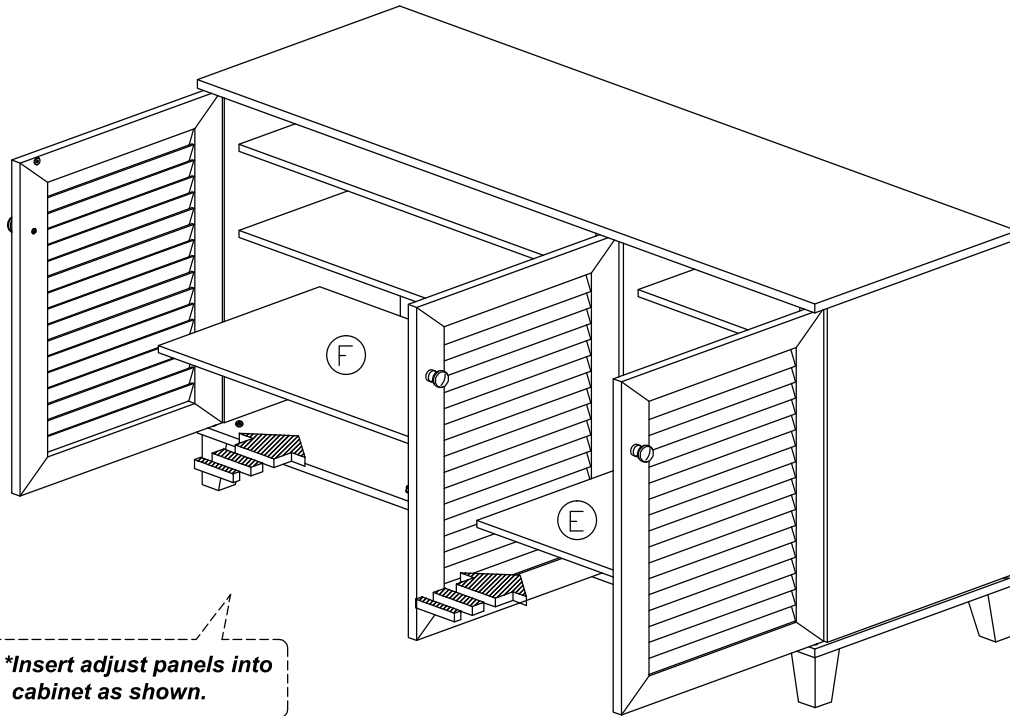
Assembly Instruction

Step 7

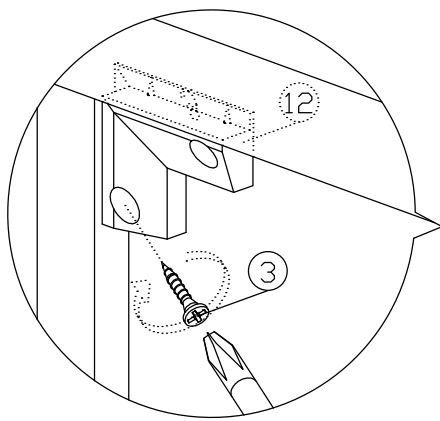


Assembly Instruction

Step 8



Step 9



**Install Z Bracket with screw as shown.*

