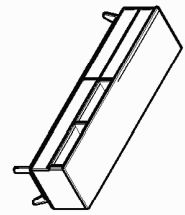
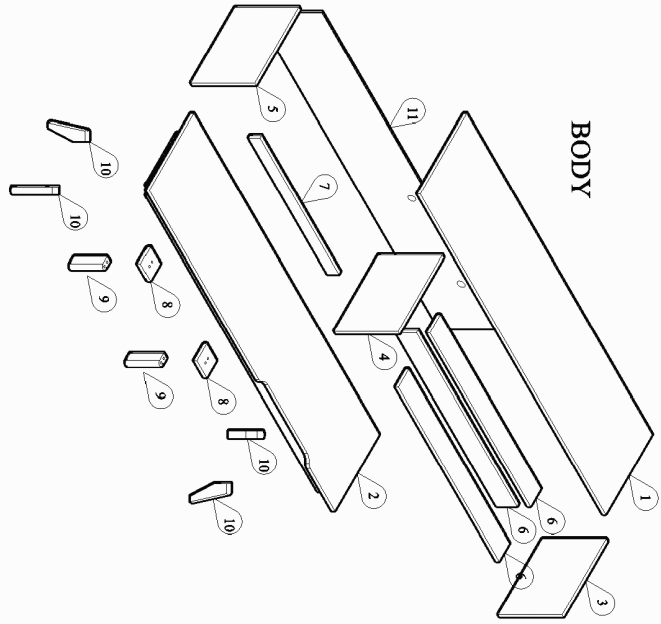


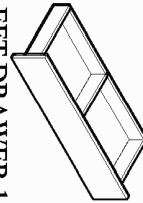
MODEL = FL TV 00810 -US

PANEL POSITION

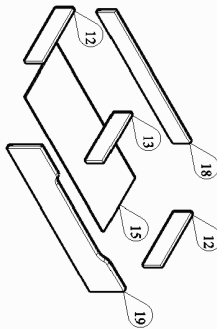
BODY



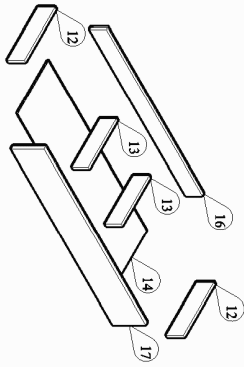
LEFT DRAWER 1



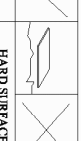
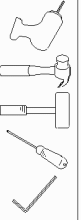
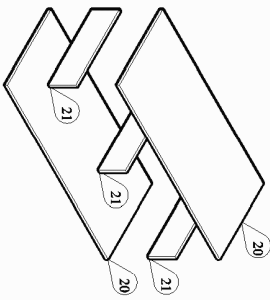
LEFT DRAWER 2



RIGHT DRAWER



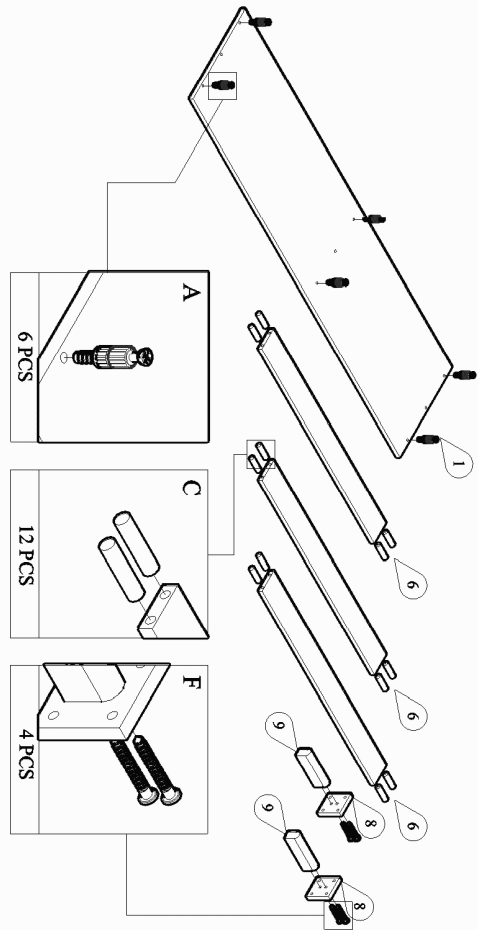
BOX



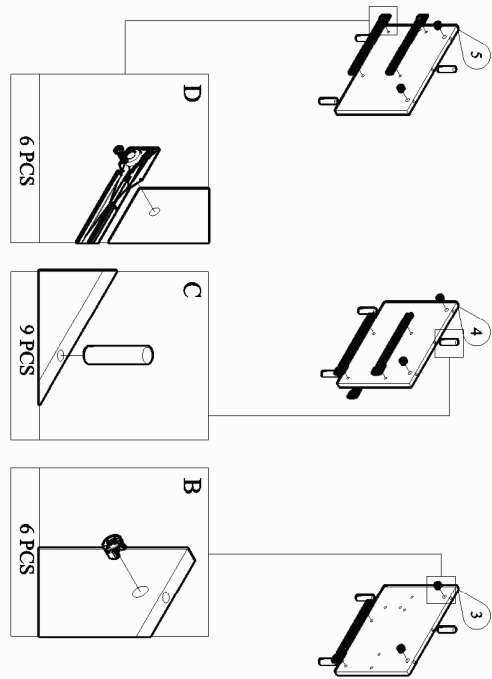
ACCESSORIES	QUANTITY
A MINIFIX M5x24MM	6 PCS
B MINIFIX CASING	6 PCS
C WOOD DOWEL M8x30MM	21 PCS
D DRAWER SLIDE 12" SCREW M3.5x12MM	3 SETS 36 PCS
E SCREW M6x50MM	6 PCS
F SCREW M7x50MM	12 PCS
G STUB SCREW M3x20MM	4 PCS 4 PCS
H WOOD DOWEL M6x30MM	32 PCS
I SCREW M4x38MM	24 PCS
J POWER PIN	50 PCS
K WHITE LEG PIN	6 PCS
L SCREW M4x25MM	8 PCS
M BRACKET	1 PC
N SCREW M3.5x16MM	1 PC
O SCREW M4x28MM	1 PC
P WALL PLUG	1 PC
Q ALLEN KEY	1 PC

START ASSEMBLY

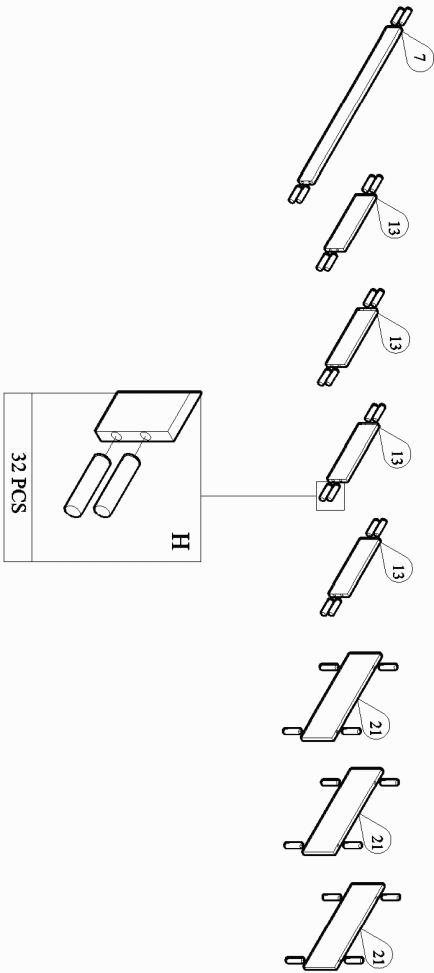
STEP 1



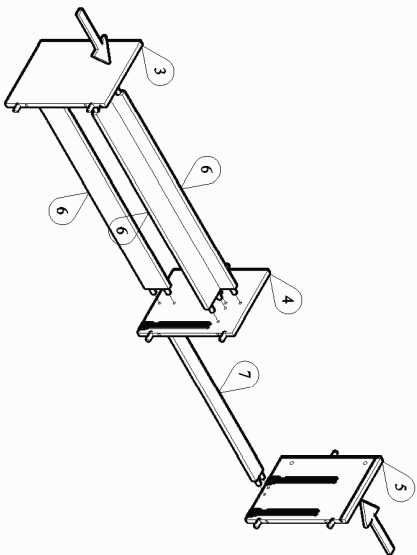
STEP 2



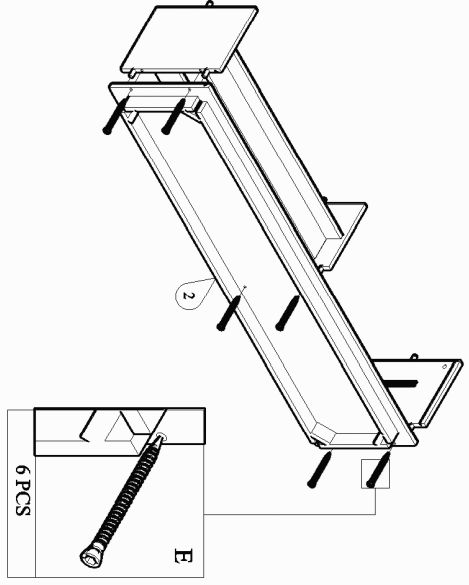
STEP 3



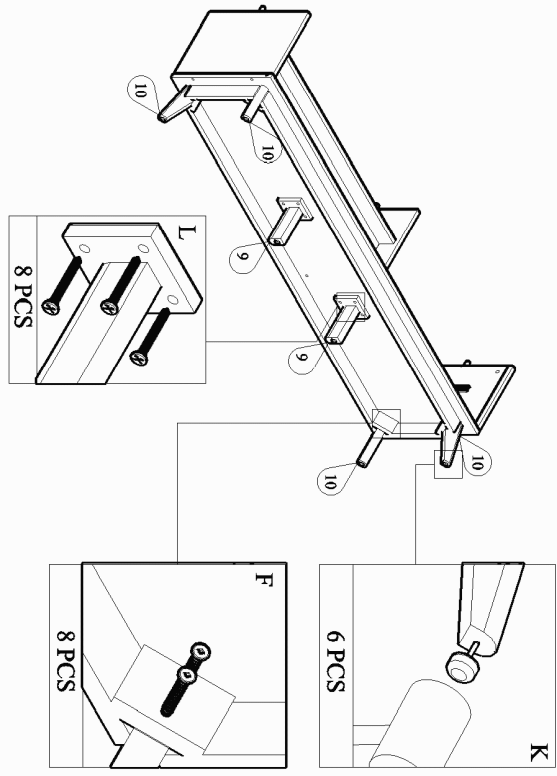
STEP 4



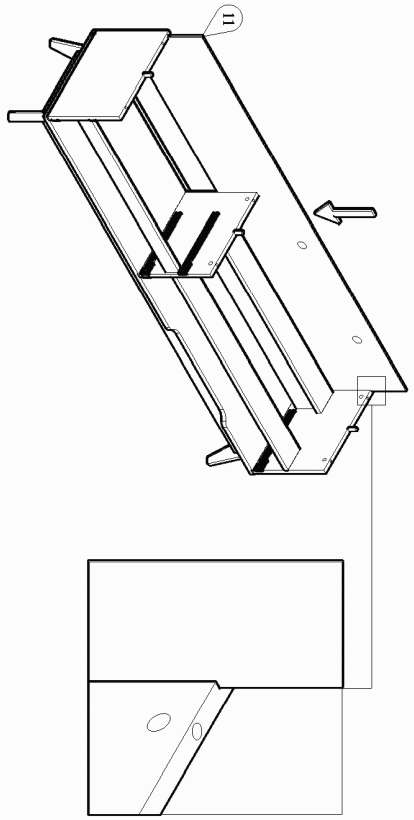
STEP 5



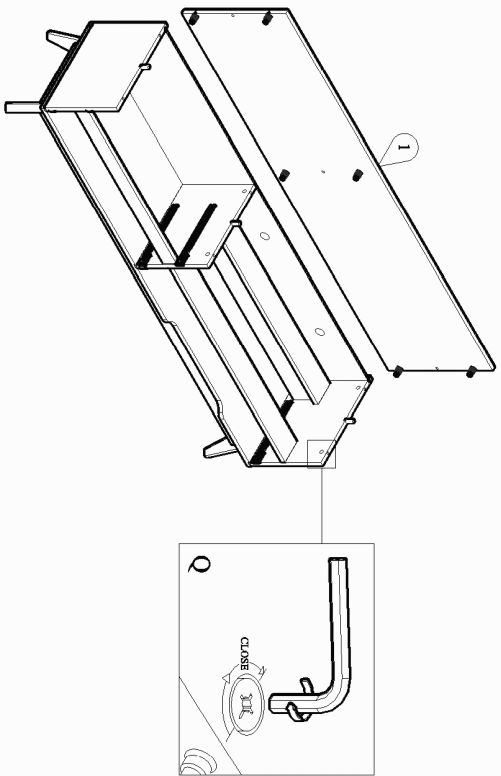
STEP 6



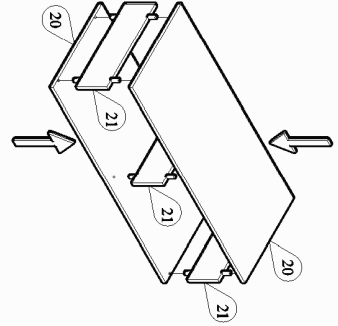
STEP 7



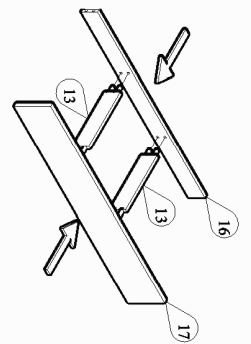
STEP 8



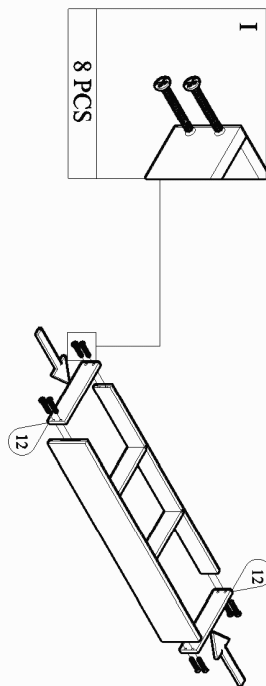
STEP 9 (BOX)



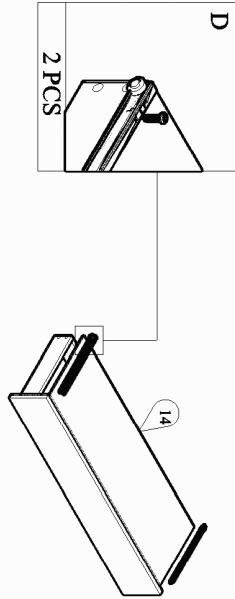
STEP 10 (RIGHT DRAWER)



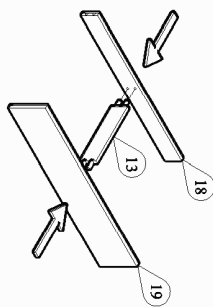
STEP 11 (RIGHT DRAWER)



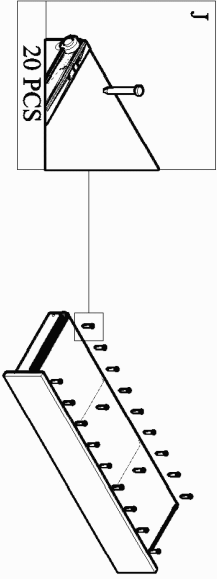
STEP 12 (RIGHT DRAWER)



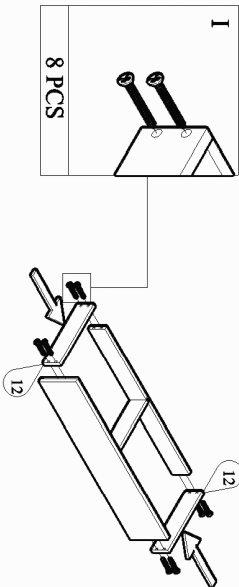
STEP 14 (LEFT DRAWER 1&2)



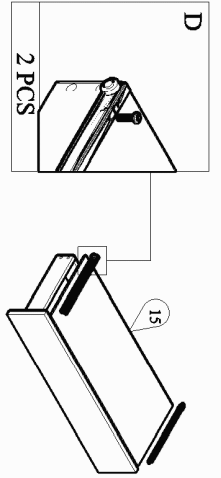
STEP 13 (RIGHT DRAWER)



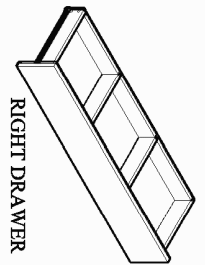
STEP 15 (LEFT DRAWER 1&2)



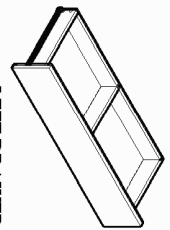
STEP 16 (LEFT DRAWER 1&2)



COMPLETED DRAWER AND BOX

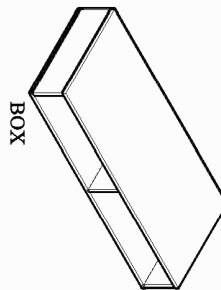
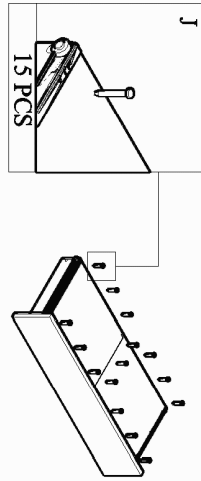


RIGHT DRAWER

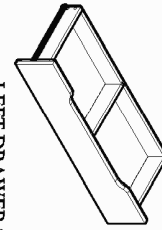


LEFT DRAWER 1

STEP 17 (LEFT DRAWER 1&2)

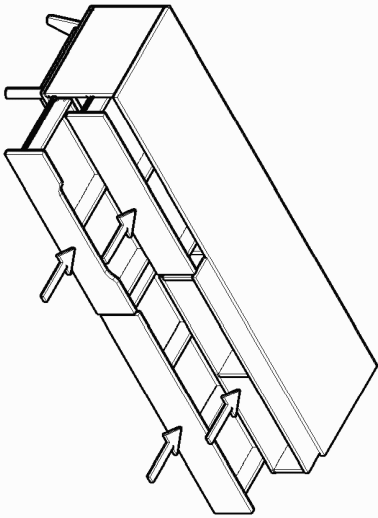


BOX

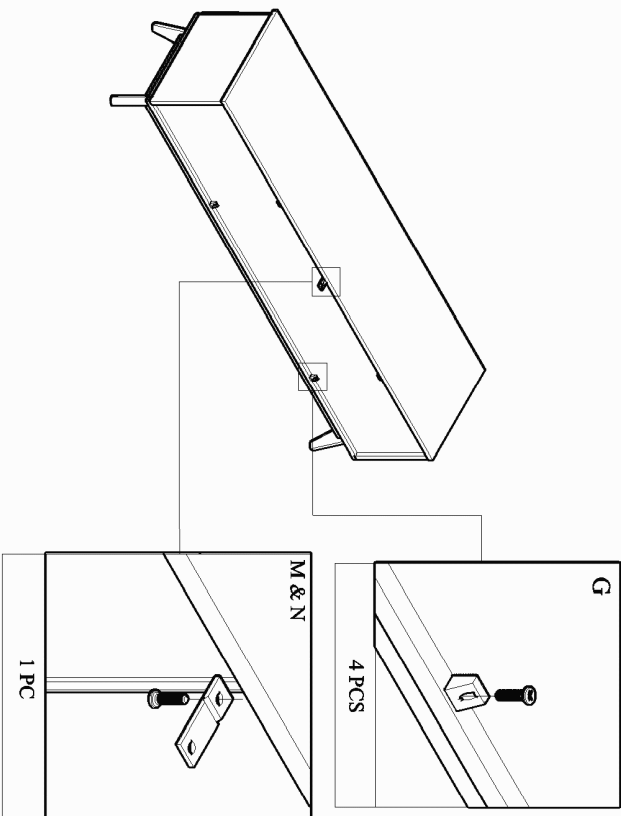


LEFT DRAWER 2

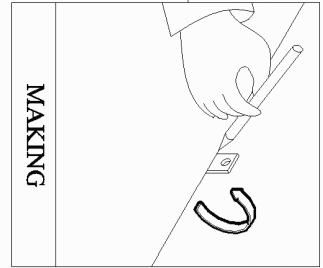
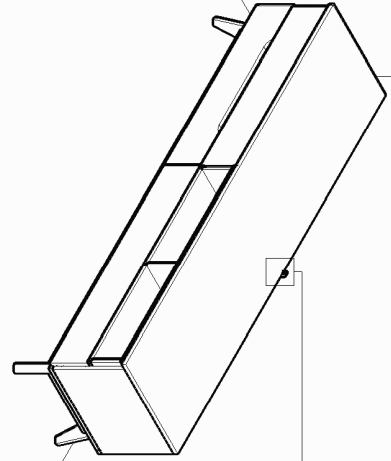
STEP 18



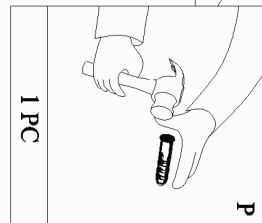
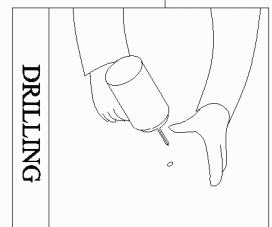
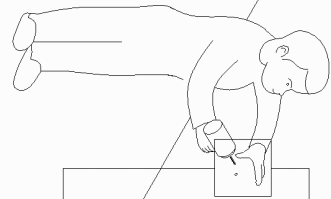
STEP 19



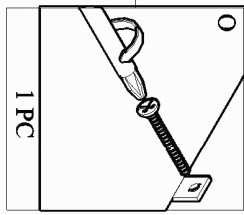
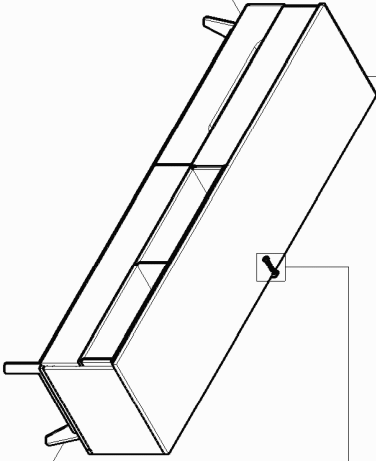
STEP 20



STEP 21



STEP 22



COMPLETED

